

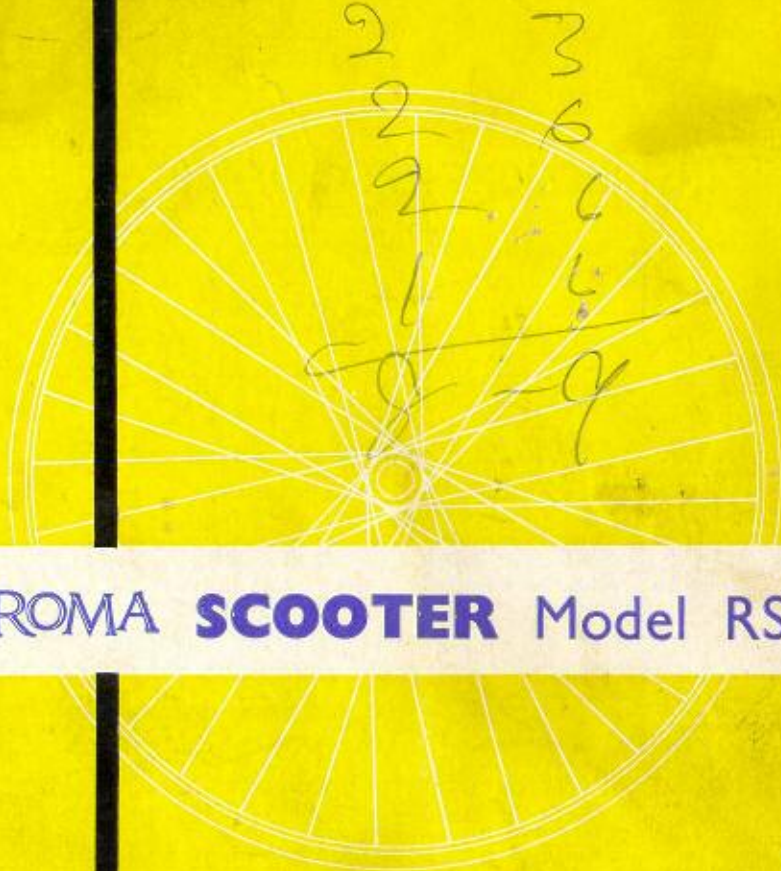
SCOOTER SPARE PARTS LIST

RALEIGH ROMA **SCOOTER** Model RS I

ISSUED BY



RALEIGH INDUSTRIES LIMITED • PRICE 3/6



INSTRUCTIONS FOR ORDERING

It is essential that the following information is provided with every order for Spare Parts:—

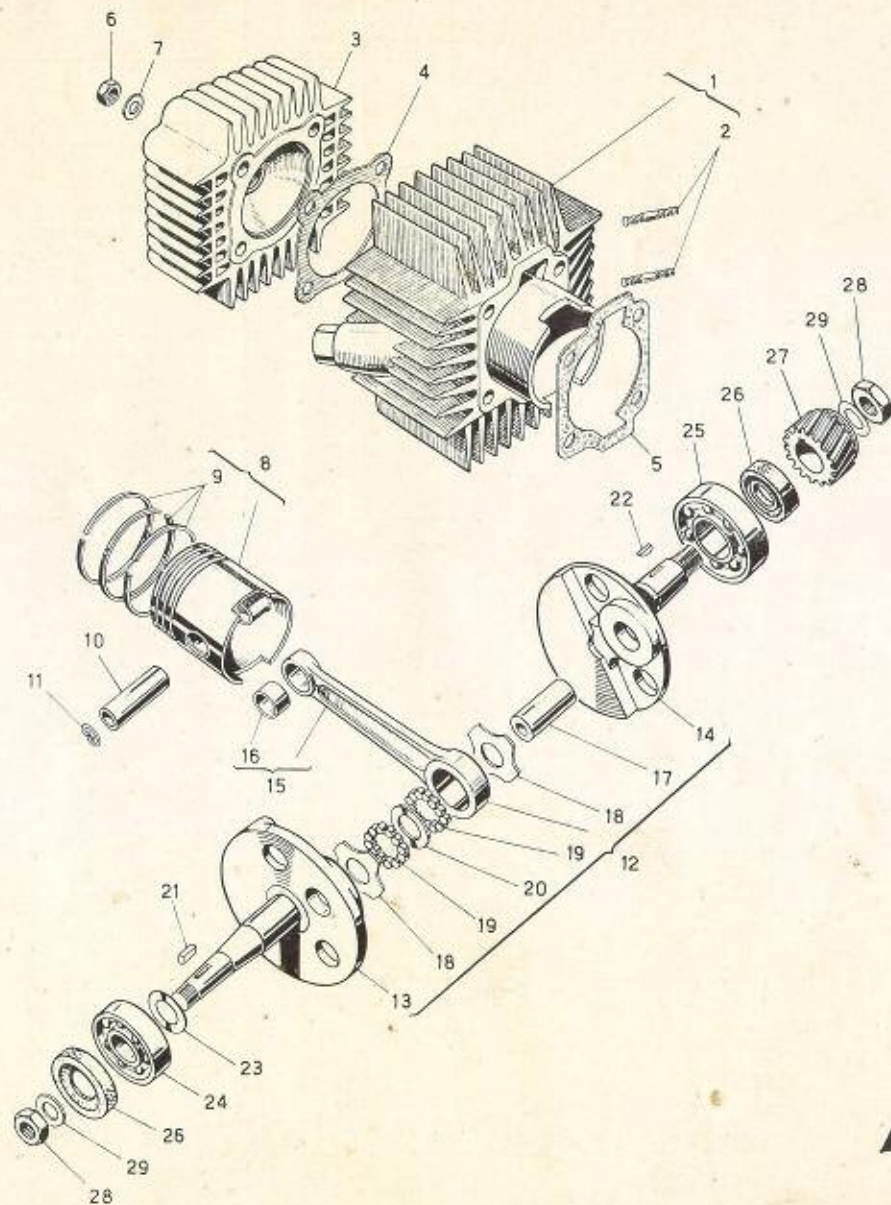
1. Type and Model of the machine
2. Frame and Engine Numbers
3. Part Number, Description and Quantity of each spare part required.

Failure to provide this necessary information will inevitably lead to delay in fulfilling the order.

NOTE.—We reserve the right to alter or vary the specifications of any parts herein listed without prior notice, and the general terms and conditions of sale and guarantee of our Motorised Division apply.

INDEX

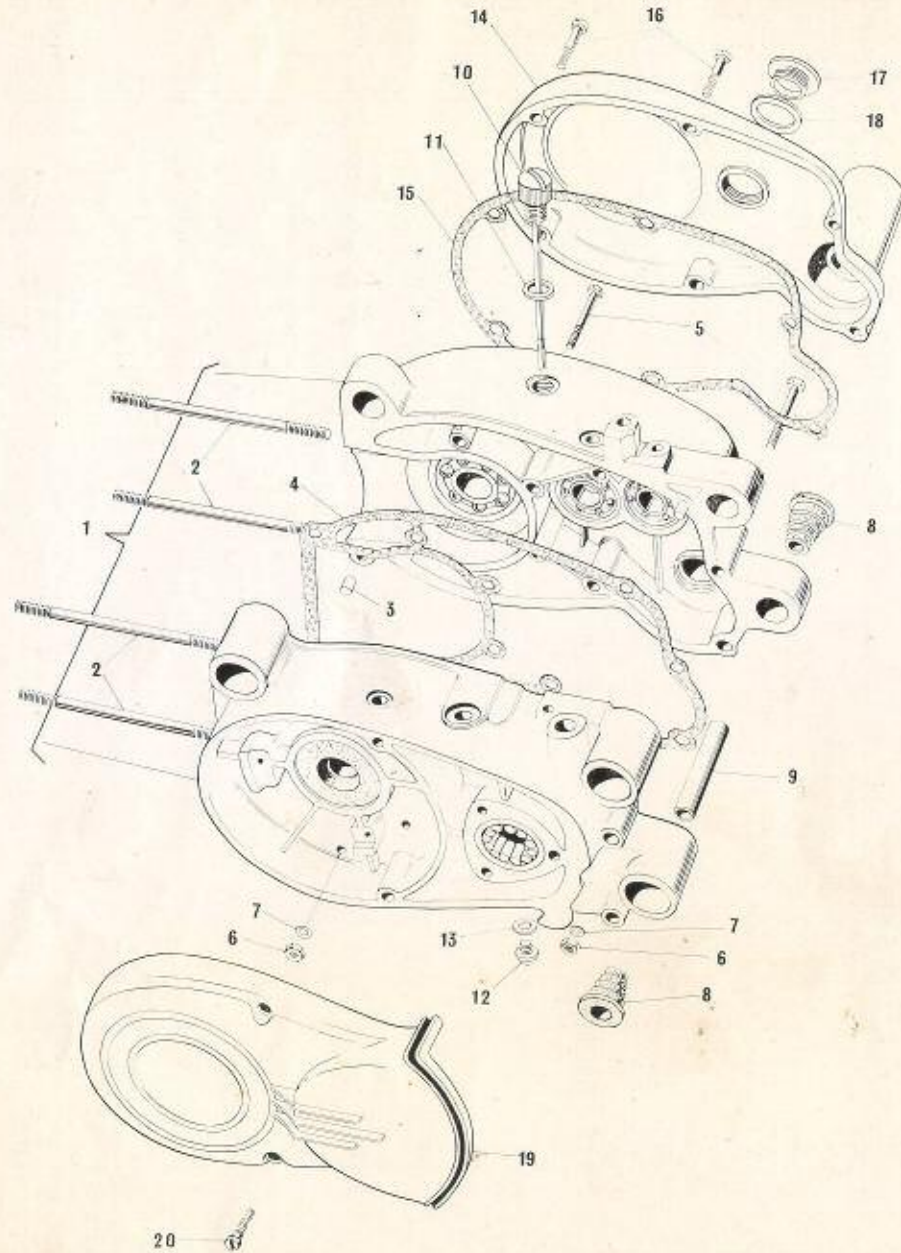
	Group
Engine	A
Crankcase	B
Clutch	C
Gearbox... ..	D
Kick start	E
Frame and rear fork	F
Front fork	G
Bodywork	H
Handlebars	I
Front wheel and hub	J
Rear wheel and hub	K
Final drive	L
Rear brake lever and front and rear brake cables	M
Mudguards, tank and silencer	N
Flywheel magneto-alternator	O
Lighting and horn	P
Carburettor	Q
Speedometer, tools and extras	R



ILLUST. No.	PART No.	DESCRIPTION	No. OFF
1	4000202	Cylinder	1
2	4000206	Stud, exhaust flange	2
3	4000200	Cylinder head	1
*4	4000201	Gasket, cylinder head	1
*5	4000208	Paper joint, cylinder base	1
6	4000204	Nut, cylinder head	4
7	4000205	Plain washer, cylinder head nut	4
8	6200102	Piston c/w gudgeon pin and rings, standard	1
8	6200103	Piston c/w gudgeon pin and rings, + 0.2 mm.	1
8	6200104	Piston c/w gudgeon pin and rings, + 0.4 mm.	1
8	6200105	Piston c/w gudgeon pin and rings, + 0.6 mm.	1
9	4000216	Piston ring, standard	3
9	4000217	Piston ring, + 0.2 mm.	3
9	4000218	Piston ring, + 0.4 mm.	3
9	4000219	Piston ring, + 0.6 mm.	3
10	4000220	Gudgeon pin	1
11	4533117	Circlip, gudgeon pin	2
12	6225103	Crankshaft assembly c/w connecting rod	1
13	4000210	Crankshaft half, (magneto side)	1
14	4000209	Crankshaft half, (drive side)	1
15	6225102	Connecting rod c/w small end bush	1
16	4000215	Bush, small end	1
17	4000211	Crankpin	1
18	4000214	Scolloped washer, crankpin	2
19	4533111	Roller bearings, big end	32
20	4000213	Spacing washer, big end rollers	1
21	4000227	Key (plain), magneto side	1
22	4020201	Key (Woodruff), drive side	1
23	4000222	Shim, crankshaft, 0.1 mm. thick	Varies
23	4000223	Shim, crankshaft, 0.2 mm. thick	Varies
24	4533103	Ball journal bearing, crankshaft, (magneto side)	1
25	4533104	Ball journal bearing, crankshaft, (drive side)	1
*26	4533105	Oil seal, crankshaft	2
27	4020200	Pinion, crankshaft	1
28	4000229	Nut, crankshaft	2
29	4000230	Plain washer, crankshaft nut...	2

*For complete sets of gaskets and oil seals see Section R.

RALEIGH ROMA SCOOTER MODEL RS 1



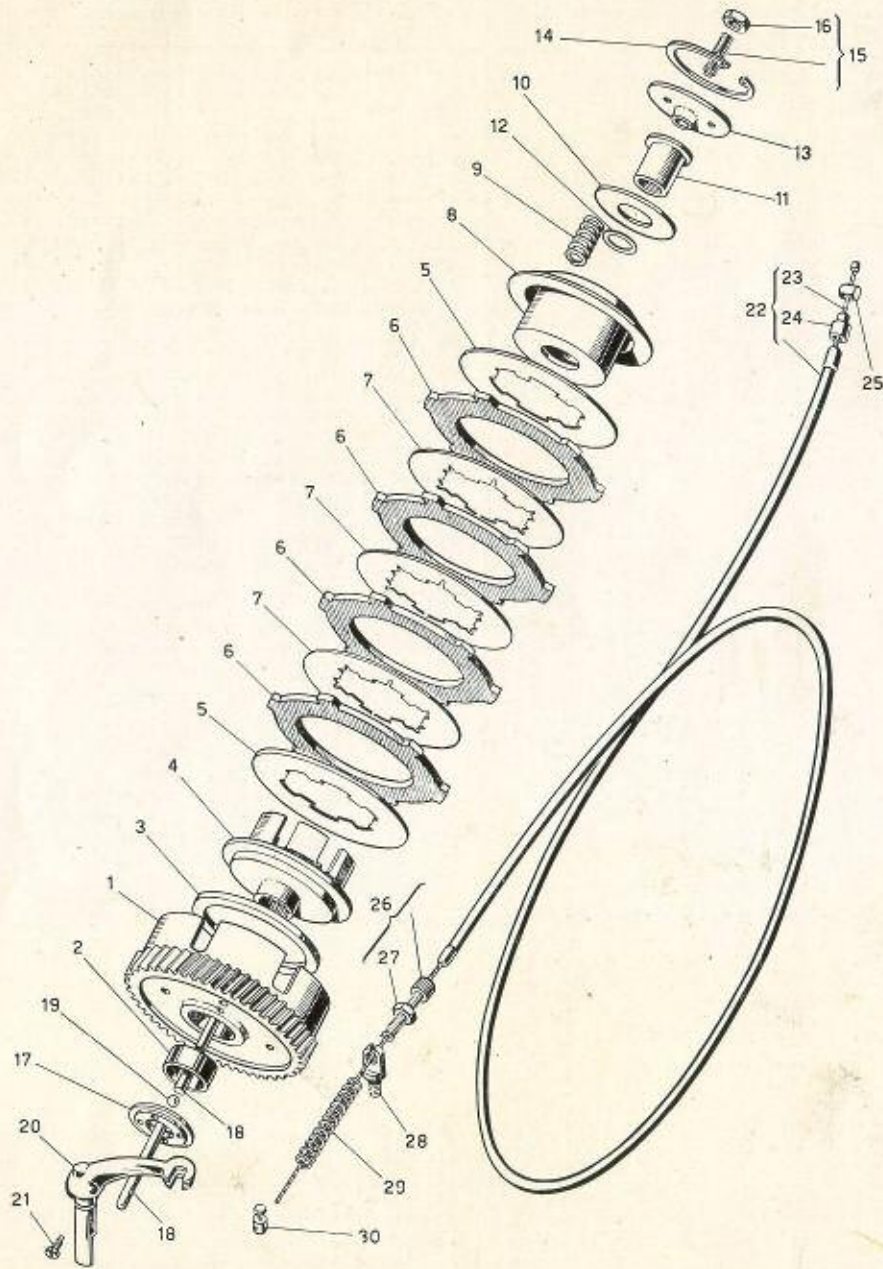
ILLUST. No.	PART No.	DESCRIPTION	No. OFF
1	6200101	Crankcase complete with bearings ...	1
2	4000203	Stud, cylinder ...	4
3	4000237	Dowel, crankcase locating ...	2
*4	4020257	Paper joint, crankcase ...	1
5	4020258	Bolt, crankcase ...	10
6	4000204	Nut, crankcase bolt ...	10
7	4020260	Plain washer, crankcase nut ...	10
8	4000212	Rubber bush, engine mounting ...	6
9	4000221	Sleeve, engine mounting bolt ...	3
10	6245100	Dipstick ...	1
*11	4020300	Fibre washer, dipstick ...	1
12	4020301	Drain plug, gearbox ...	1
*13	4020302	Fibre washer, gearbox drain plug ...	1
14	4020263	Clutch housing cover ...	1
*15	4020264	Paper joint, clutch housing ...	1
16	4020265	Screw, clutch housing ...	6
17	4020218	Access plug, clutch adjustment ...	1
*18	4020219	Fibre washer, access plug ...	1
19	4000234	Magneto housing cover ...	1
20	4020265	Screw, magneto housing ...	2

*For complete sets of gaskets see Section R.

RALEIGH ROMA SCOOTER MODEL RS 1

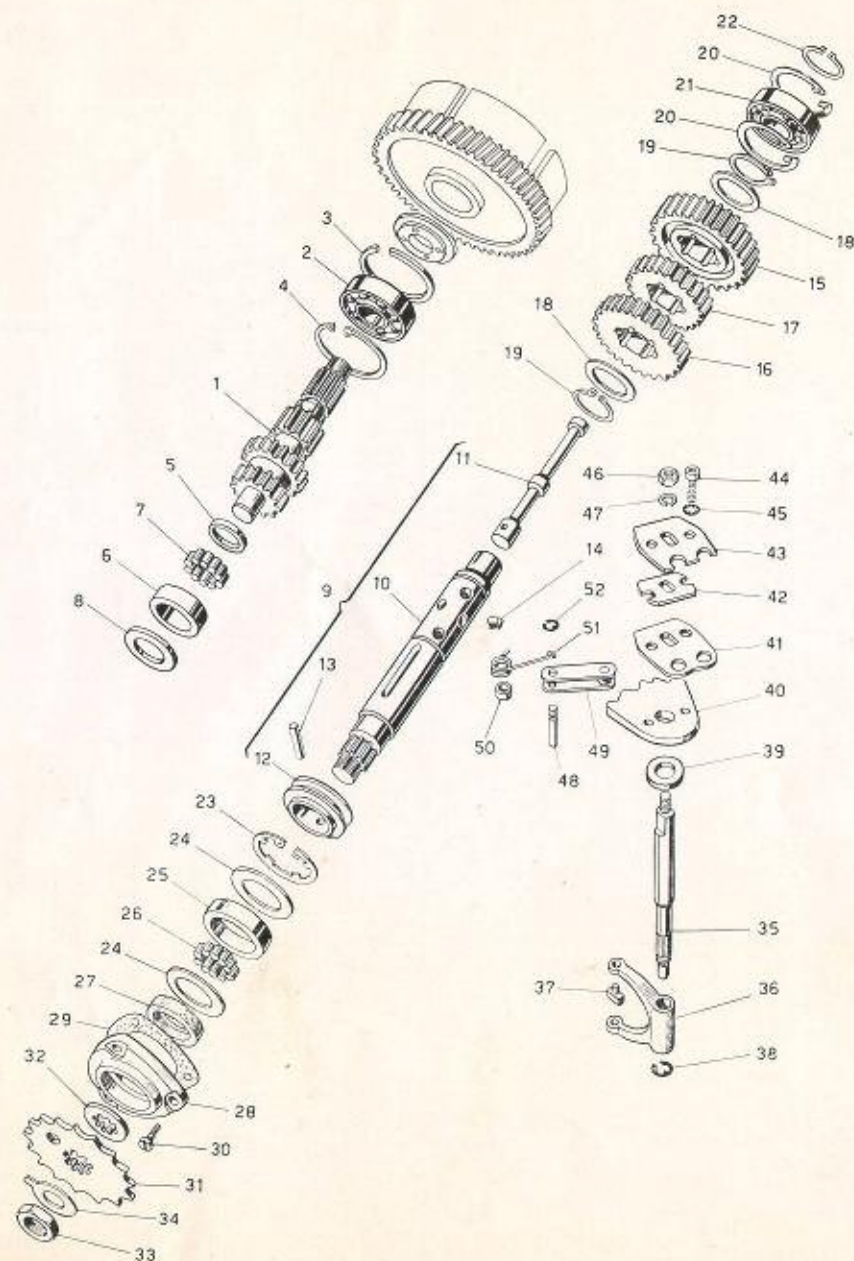
CLUTCH

GROUP C



ILLUST. No.	PART No.	DESCRIPTION	No. OFF
1	4020204	Clutch gear	1
2	4020202	Bush, clutch gear	1
3	4020220	Thrust ring, clutch	1
4	4020212	Clutch hub	1
5	4020205	Clutch plate, plain, thick	2
6	4020206	Clutch friction plate	4
7	4020207	Clutch plate, plain, thin	3
8	4020221	Pressure drum, clutch	1
9	4020222	Clutch spring	6
10	4020223	Retaining washer, clutch springs	1
11	4020213	Threaded sleeve, clutch hub	1
12	4020259	Shim washer, threaded sleeve	Varies
13	4020216	Thrust plate, clutch release	1
14	4533118	Circlip, clutch thrust plate	1
15	6200322	Screw and locknut, clutch adjusting	1
16	4020215	Locknut, clutch adjusting screw	1
17	4020208	Shouldered spacing washer	1
18	4020211	Push rod, clutch release	2
19	4533106	Ball $\frac{3}{8}$ " diameter, clutch push rod	1
20	4020296	Clutch actuating arm	1
21	4020297	Locating screw, clutch arm	1
22	6245103	Clutch cable complete	1
23	6245107	Clutch inner cable	1
24	4010949	Cable ferrule (handlebar end)	1
25	4010669	Slotted nipple (handlebar end)	1
26	6200323	Adjuster with locknut, clutch cable	1
27	4020215	Locknut, clutch cable adjuster	1
28	4020298	Cable abutment, gearbox	1
29	4020217	Return spring, clutch cable	1
30	4533151	Solderless nipple	1

RALEIGH ROMA SCOOTER MODEL RS 1

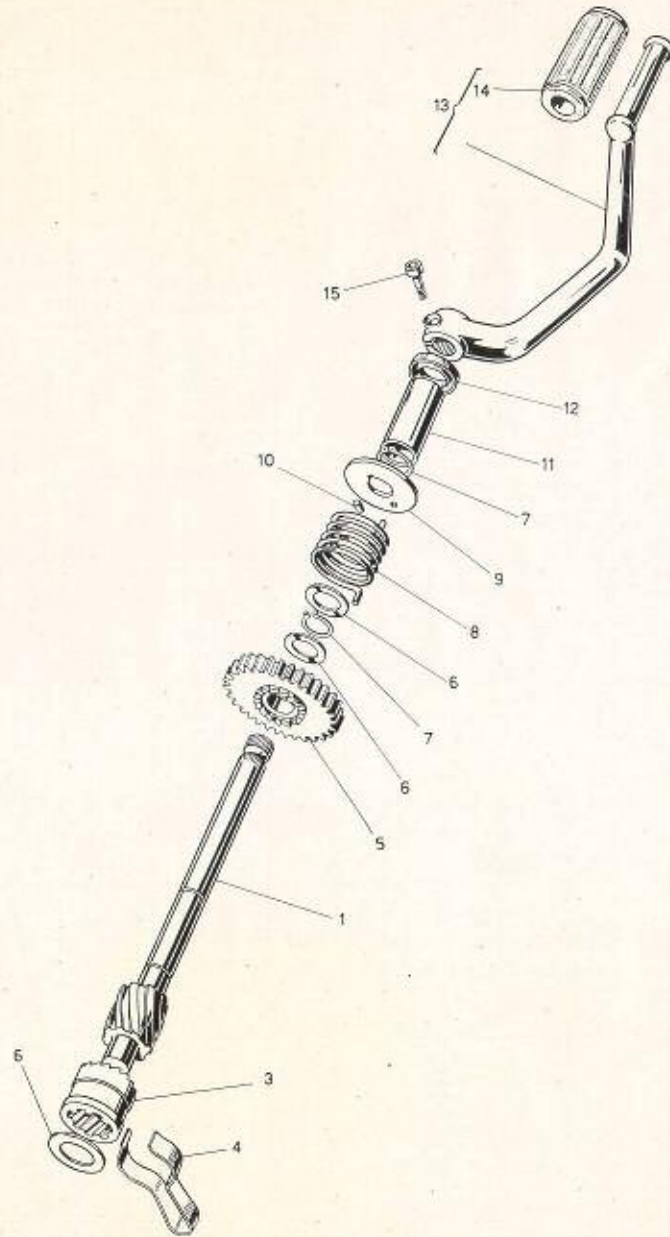


ILLUST. No.	PART No.	DESCRIPTION	No. OFF
1	4020228	Input shaft with integral gears	1
2	4533108	Ball journal bearing, input shaft	1
3	4533116	Outer spring ring, input shaft bearing	1
4	4533115	Inner circlip, input shaft bearing	1
5	4020233	Spacing ring, input shaft rollers, 1-5 mm. thick	1
5	4020235	Spacing ring, input shaft rollers, 1-6 mm. thick	1
5	4020240	Spacing ring, input shaft rollers, 1-7 mm. thick	1
5	4020244	Spacing ring, input shaft rollers, 1-8 mm. thick	1
5	4020250	Spacing ring, input shaft rollers, 1-9 mm. thick	1
5	4020251	Spacing ring, input shaft rollers, 2-0 mm. thick	1
6	4020225	Outer track, input shaft rollers	1
7	4533110	Roller bearings, input shaft	14
8	4020224	Locating washer, input shaft rollers	1
9	6245102	Output shaft with collar and engagement shaft	1
10	4020252	Output shaft bare	1
11	4020241	Gear engagement shaft	1
12	4020242	Gear selector collar	1
13	4020243	Rivet, gear selector collar	1
14	4020249	Plunger, gear engagement	9
15	4020246	1st gear, output shaft	1
16	4020247	2nd gear, output shaft	1
17	4020248	3rd gear, output shaft	1
18	4020245	Spacing washer, gear locating, 0-9 mm. thick	Varies
18	4020214	Spacing washer, gear locating, 1-0 mm. thick	Varies
19	4533122	Circlip, gear locating	2
20	4533113	Circlip, output shaft ball bearing	2
21	4533107	Ball journal bearing, output shaft	1
22	4533114	Circlip, output shaft locating	1
23	4533112	Circlip, internal, output shaft rollers	1
24	4020234	Locating washer, output shaft rollers	1
25	4020236	Outer track, output shaft rollers	1
26	4533110	Roller bearings, output shaft	20
*27	4533109	Oil seal, output shaft	1
28	4020237	End cover, output shaft	1
*29	4020239	Paper joint, output shaft end cover	1
30	4020238	Screw, output shaft end cover	3
31	4020231	Chain sprocket, gearbox	1
32	4020232	Splined washer, output shaft	1
33	4020229	Nut, output shaft	1
34	4020230	Tab washer, output shaft nut	1
35	4020289	Selector shaft	1
36	4020292	Fork, selector shaft	1
37	4020293	Thrust pad, selector shaft fork	2
38	4533120	Circlip, selector shaft	1
39	4020288	Spacing collar, selector shaft	1
40	4020287	Selector quadrant	1
41	4020286	Selector plate, lower	1
42	4020285	Spacer, selector plate	1
43	4020284	Selector plate, upper	1
44	4020253	Socket head screw, selector plate	2
45	4020254	Shakeproof washer, selector plate screw	2
46	4000204	Nut, selector shaft	1
47	4020291	Spring washer, selector shaft nut	1
48	4020280	Pivot pin, selector arm	1
49	6245101	Selector arm	1
50	4020282	Spacing collar, selector arm	1
51	4020283	Hairpin spring, selector arm	1
52	4533124	Circlip, selector arm locating	1

*For complete sets of gaskets and oil seals see Section R.

KICK START

GROUP E

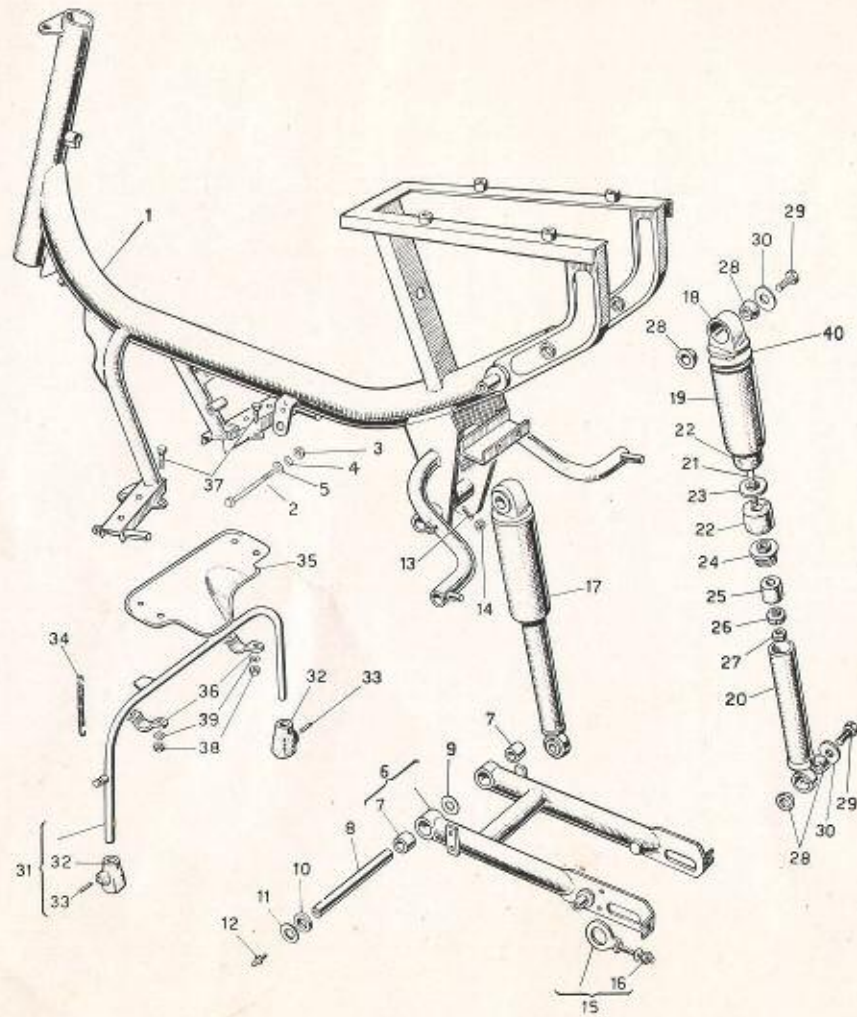


ILLUST. No.	PART No.	DESCRIPTION	No. OFF
1	4020266	Shaft, kick start	1
3	4020269	Ratchet kick start	1
4	4020268	Friction spring, kick start ratchet	1
5	4020270	Drive gear, kick start ratchet	1
6	4020267	Thrust washer, kick start shaft	3
7	4533119	Circlip, kick start shaft	2
8	4020273	Return spring, kick start	1
9	4020274	Anchor washer, kick start spring	1
10	4020275	Locking peg, kick start washer	1
11	4020203	Spacing tube, kick start shaft	1
*12	4533123	Oil seal, kick start shaft	1
13	6200119	Kick start crank c/w rubber	1
14	4010577	Rubber, kick start crank	1
15	4020279	Socket head screw, kick start crank	1

*For complete set of oil seals see Section R.

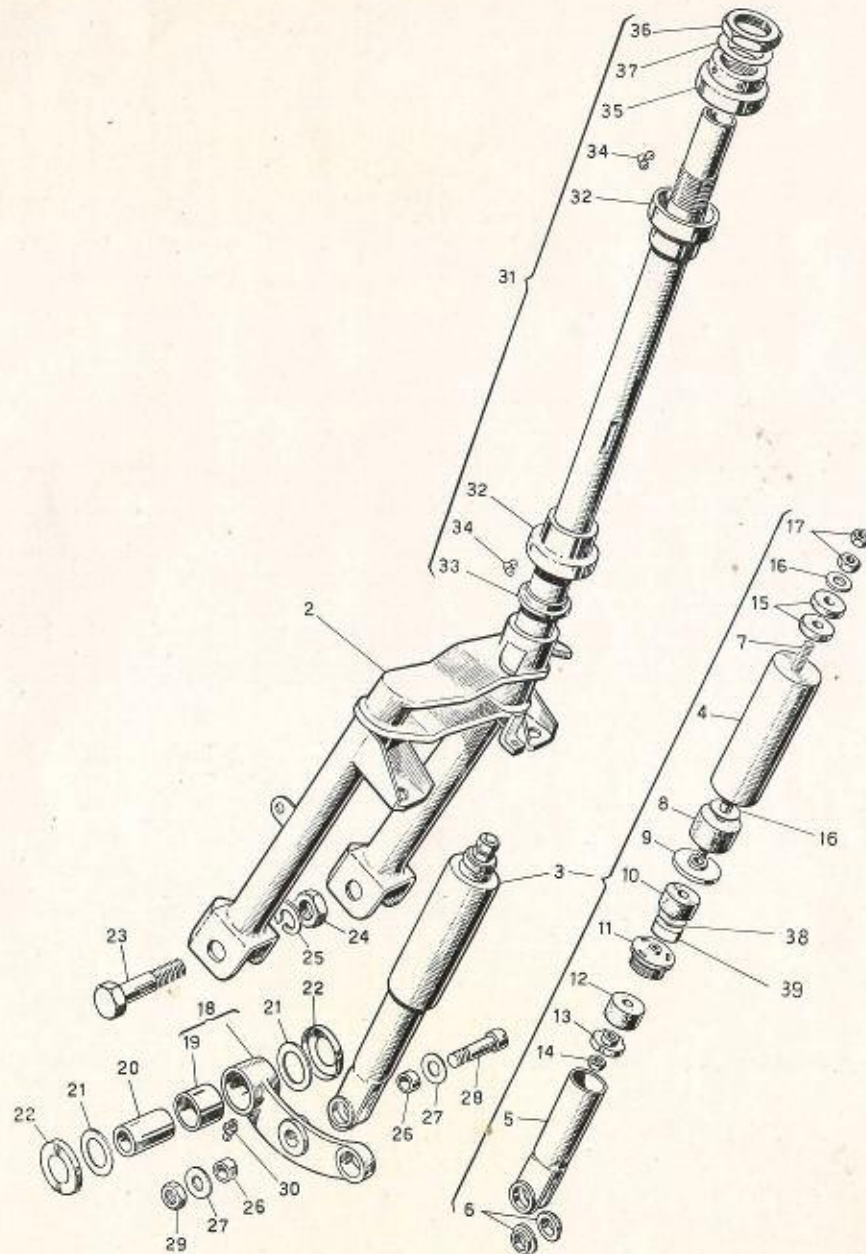
RALEIGH ROMA SCOOTER MODEL RS 1

FRAME AND REAR FORK GROUP F

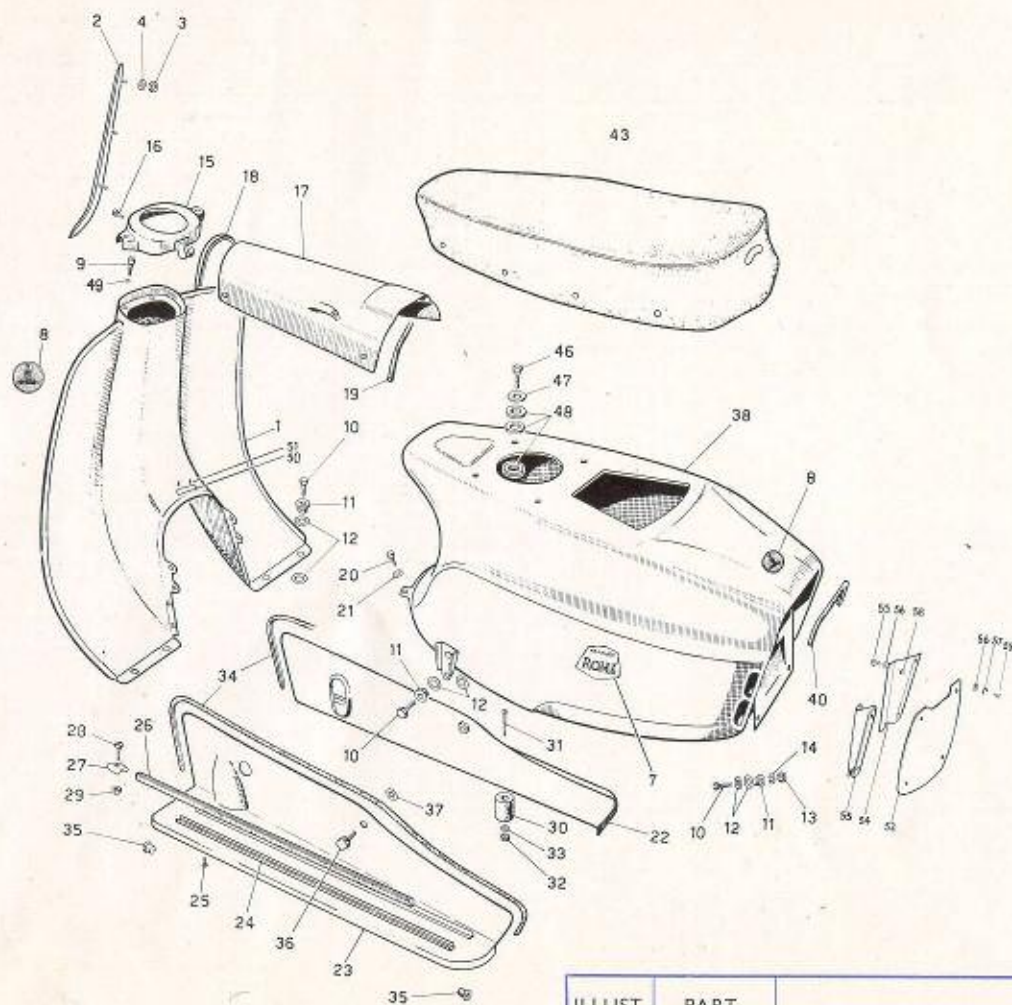


ILLUST. No.	PART No.	DESCRIPTION	No. OFF
1	6235100	Frame	1
2	4010581	Bolt, engine mounting	3
3	4010584	Nut, engine mounting bolt	3
4	4010583	Spring washer, engine mounting bolt	3
5	4010582	Plain washer, engine mounting bolt	6
6	6235121	Rear fork c/w pivot bushes and thrust washers	1
7	4010568	Bush, rear fork pivot	2
8	4010566	Pivot pin, rear fork	1
9	4010567	Thrust washer, rear fork pivot	2
10	4533171	Felt washer, rear fork pivot	2
11	4010570	End cap, rear fork pivot	2
12	4533140	Grease nipple, rear fork pivot	2
13	4010521	Grub screw, pivot pin locating	1
14	4010600	Locknut, pivot pin grub screw	1
15	6235119	Chain adjuster complete	2
16	4010553	Nut, chain adjuster	2
17	6235104	Rear suspension unit complete	2
18	4010693	Upper attachment, rear susp. unit	2
19	4010694	Upper shroud, rear susp. unit	2
20	6235136	Lower shroud, rear susp. unit	2
21	4010695	Central rod, rear susp. unit	2
22	4010504	Rubber block upper, rear susp. unit	12
23	4010612	Nylon spacer between rubber blocks	10
24	4010644	Nylon end cap, lower shroud	2
25	4010505	Rubber block, rebound, rear susp. unit	2
26	4010648	Slotted ring nut, rear susp. unit	2
27	4010600	Nut, rear susp. unit rod	2
28	4010613	Rubber bush, susp. unit attachment	8
29	4010509	Bolt, susp. unit attachment	4
30	4010606	Spacing washer, susp. unit attachment	4
31	6235123	Centre stand, c/w rubber feet	1
32	4010574	Rubber foot, centre stand	2
33	4010575	Securing pin, rubber foot	2
34	4010573	Return spring, centre stand	1
35	4010617	Undertray for engine	1
36	4010576	Mounting bracket, stand	2
37	4010611	Bolt, stand bracket fixing	4
38	4010619	Nut, stand bracket fixing bolt	4
39	4020291	Spring washer, stand bracket fixing bolt	4
40	4010686	Rubber washer, upper shroud	2

RALEIGH ROMA SCOOTER MODEL RS 1



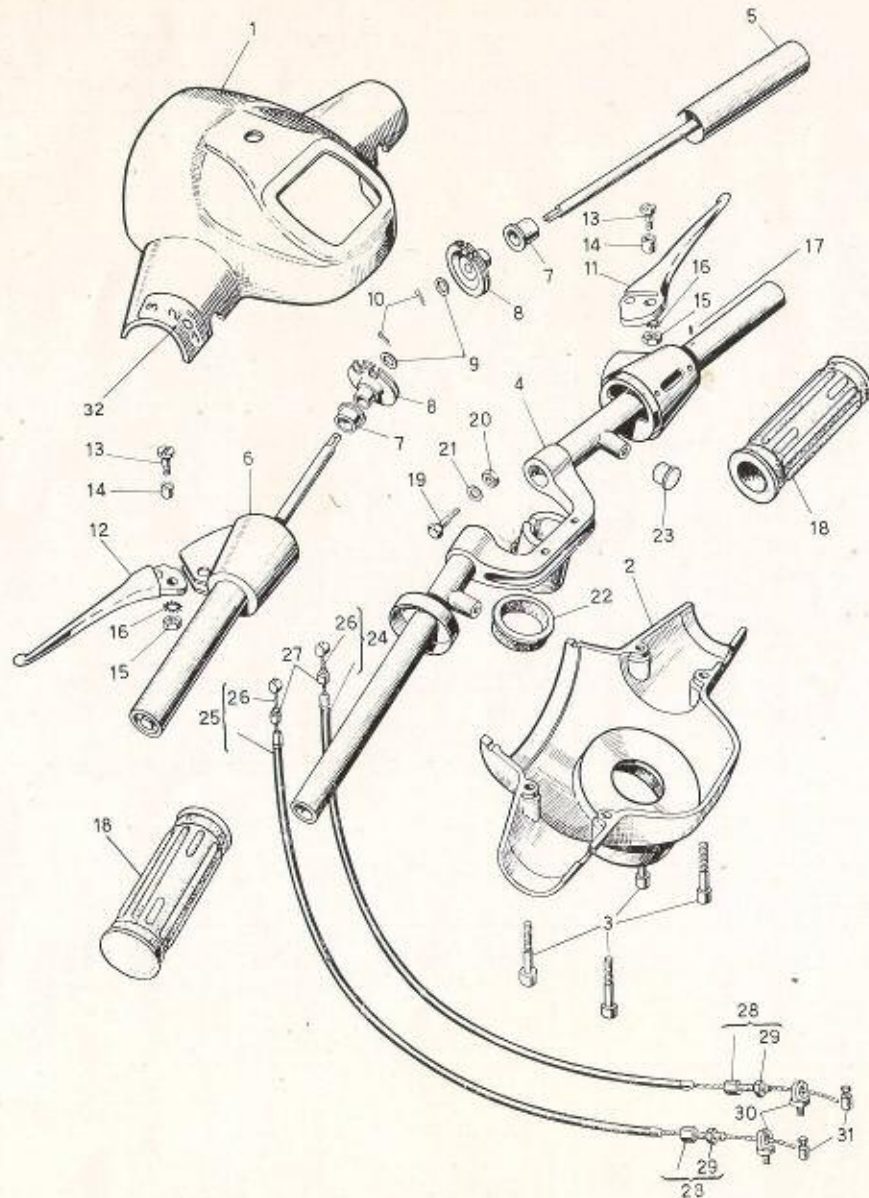
ILLUST. No.	PART No.	DESCRIPTION	No. OFF
2	6235101	Front fork, bare	1
3	6235103	Suspension unit complete, front	2
4	4010953	Upper shroud, front susp. unit	2
5	6235162	Lower shroud, front susp. unit	2
6	6235165	Bush, lower shroud yoke	4
7	4010698	Central, rod front susp. unit	2
8	4010504	Rubber block, upper, front susp. unit	6
9	4010612	Nylon spacer, between rubber blocks (large)	6
10	4010924	Rubber block, intermediate, front susp. unit	4
11	4010644	Nylon end cap, lower shroud	2
12	4010505	Rubber block, rebound, front susp. unit	2
13	4010648	Slotted ring nut, front susp. unit	2
14	4010600	Nut, front susp. unit rod	2
15	4010927	Rubber washer, upper mounting, front susp. unit	4
16	4010606	Plain washer, upper mounting, front susp. unit	4
17	4010600	Nut, upper mounting, front susp. unit	4
18	6200325	Trailing link, front fork c/w bush	2
19	4010555	Bronze bush, trailing link fulcrum	2
20	4010560	Spacing bush, trailing link fulcrum	2
21	4010562	Thrust washer, trailing link fulcrum	4
22	4010561	Cover cap, trailing link fulcrum	4
23	4010563	Bolt, trailing link fulcrum	2
24	4010565	Nut, fulcrum bolt	2
25	4010564	Spring washer, fulcrum bolt	2
26	4010557	Bush, pivot pin	4
27	4010919	Plain washer, pivot pin	4
28	4010556	Pivot pin, trailing link	2
29	4010559	Nut, pivot pin	2
30	4533139	Grease nipple, trailing link	2
31	6200204	Bearing set complete, steering head	1
32	4010500	Frame tube cup, steering head	2
33	4010501	Cone, lower, steering head	1
34	4533106	Ball bearing, $\frac{1}{8}$ " , steering head	44
35	6200120	Cone complete, upper, adjustable, steering head	1
36	4010503	Locknut, steering head	1
37	4010502	Plain washer, steering head locknut	1
38	4010526	Nylon spacer, between rubber blocks (small)	4
39	4010506	Rubber block, lower, front susp. unit	2



ILLUST. No.	PART No.	DESCRIPTION	No. OFF
1	6235105	Front apron	1
2	6235113	Chrome strip, front apron	1
3	4010623	Nut, chrome strip	3
4	4010609	Plain washer, chrome strip	3
7	4010389	Plastic badge 'Roma'	1
8	4010414	Plastic badge 'Raleigh' insignia	2
9	4010635	Screw, front apron securing	2
10	4010611	Bolt, bodywork mounting	6
11	4010668	Shouldered washer, bodywork mounting	8

ILLUST. No.	PART No.	DESCRIPTION	No. OFF
12	4010533	Rubber washer, bodywork mounting	16
13	4010513	Nut, rear bodywork mounting	2
14	4020291	Spring washer, mounting bolts	2
15	6235111	Cap pressing, front apron	1
16	4010636	Self tapping screw, cap pressing	4
17	6235106	Top cover, engine	1
18	4010637	Plastic beading, engine cover, front	1
19	4010638	Plastic beading, engine cover, rear	1
20	4010634	Screw, engine cover fixing	4
21	4010620	Plain washer, fixing screw	4
22	6235107	Footboard, offside	1
23	6235108	Footboard, nearside	1
24	4010625	Channel, inner, footboard tread	2
24	4010626	Channel, outer, nearside, footboard tread	1
24	4010627	Channel, outer, offside, footboard tread	1
25	4533174	Rivet, footboard channel fixing	27
26	4010530	Rubber tread strip, footboard, short	2
26	4010531	Rubber tread strip, footboard, long	2
27	4010532	End clamp, rubber strip	6
27	4010957	End clamp, rubber strip, rear outer	2
28	4010628	Fixing screw, end clamp	6
28	4010958	Fixing screw, end clamp, rear outer	2
29	4010629	Nut, end clamp fixing screw	6
30	4010630	Rubber buffer, kick start crank	1
31	4010631	Screw, kick start buffer securing	1
32	4010597	Nut, kick start buffer screw	1
33	4010609	Plain washer, kick start buffer screw	1
34	4010632	Plastic beading, footboards	2
35	4010641	Rubber bush, footboard pivot pins	4
36	6235163	Finger screw, footboard securing	4
37	4010622	Rubber grommet, footboard screw	4
38	6235109	Rear bodywork pressing assembly	1
NI	4010603	Transfer 'RESERVE'	1
NI	4010604	Transfer 'ON'	1
NI	4010605	Transfer 'OFF'	1
40	4010666	Plastic beading, above rear lamp	1
43	4533132	Dual seat complete	1
46	4010509	Bolt, dual seat mounting	4
47	4010606	Plain washer, dual seat mounting bolt	4
48	4010534	Rubber washer, dual seat mounting	12
49	4010952	Shakeproof washer, apron securing	2
50	4010708	'Bianchi licence' plate	1
51	4533039	Hammer drive screws, 'Bianchi licence' plate	2
NI	2381228	Transfer 'Raleigh', front apron nosepiece	1
NI	4010390	Transfer 'Raleigh', rear upper bodywork	1
NI	4010391	Transfer 'Roma', front apron and rear upper bodywork	2
52	4010497	Rear number plate	1
53	6235085	Support, nearside, number plate	1
54	6235086	Support, offside, number plate	1
55	4010225	Bolt, $\frac{3}{8}$ " number plate mounting	8
56	2661056	Plain washer $\frac{3}{8}$ ", number plate mounting	8
57	4010159	Spring washer $\frac{3}{8}$ ", number plate mounting	4
58	4010241	'Nyloc nut,' $\frac{3}{8}$ ", number plate mounting	4

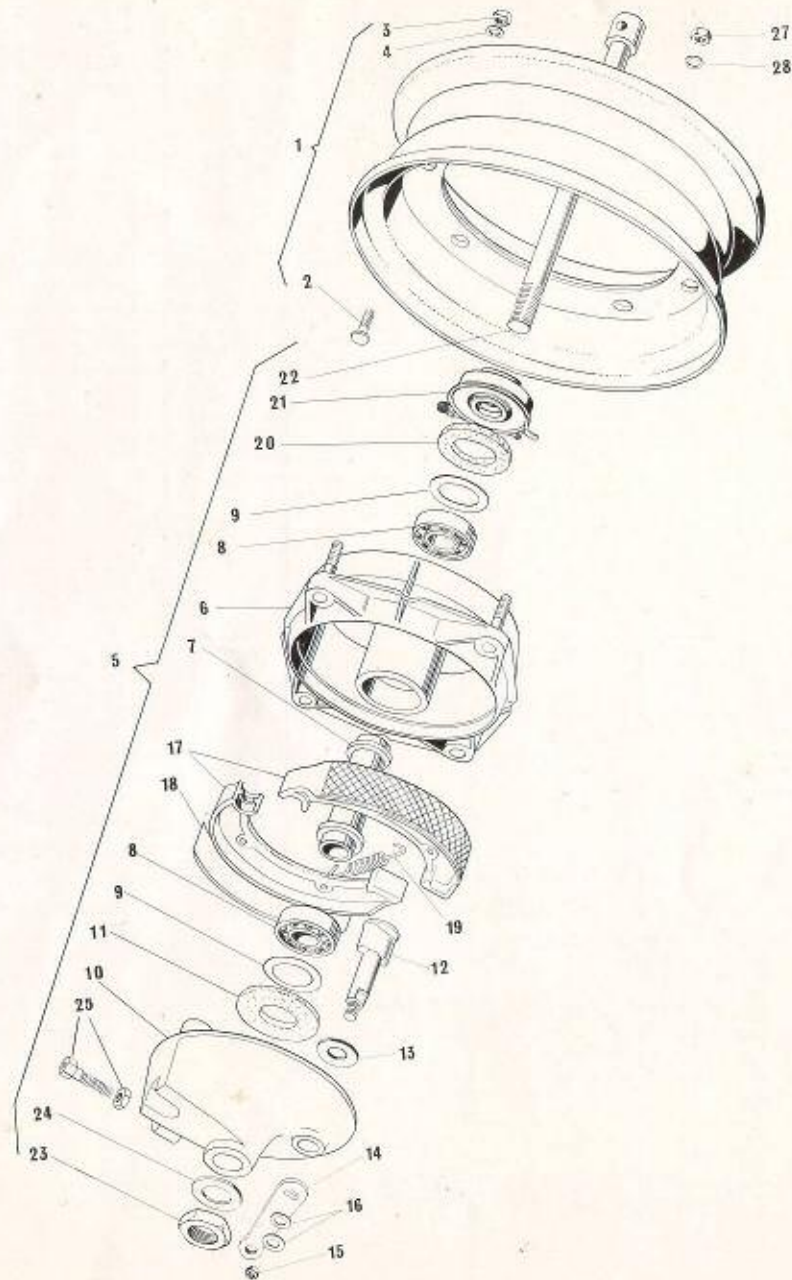
NI=Not Illustrated



ILLUST. No.	PART No.	DESCRIPTION	No. OFF
1	4010589	Headlamp housing, upper half	1
2	4010590	Headlamp housing, lower half	1
3	4010591	Socket head screw, headlamp housing, 4.0 mm.	4
3	4010519	Socket head screw, headlamp housing, 5.0 mm.	4
4	6235125	Handlebar bare	1
5	6235126	Throttle twistgrip, offside, c/w rod	1
6	6235127	Gearchange twistgrip, nearside, c/w rod	1
7	4010585	Bush for twistgrip rod	2
8	4010586	Cable pulley, twistgrip rod	2
9	4010582	Plain washer, twistgrip rod	2
10	4010588	Split pin, twistgrip rod	2
11	4010593	Handlebar lever, front brake	1
12	4010593	Handlebar lever, clutch	1
13	4010595	Fulcrum screw, handlebar lever	2
14	4010596	Bush, handlebar lever fulcrum	2
15	4010597	Nut, handlebar lever screw	2
16	4010598	Shakeproof washer, handlebar lever nut	2
17	4010601	Grub screw, stop, throttle twistgrip	1
18	4533137	Rubber for twistgrips	1 pr.
19	4010587	Clamp bolt, handlebar securing	1
20	4010671	Nut, handlebar clamp bolt	1
21	4010582	Plain washer, handlebar clamp bolt	2
22	4010602	Packing ring, lower headlamp housing	1
23	4010928	Plug, headlamp housing aperture	2
24	6245104	Gearchange cable complete, short, (front adjuster)	1
25	6245105	Gearchange cable complete, long, (rear adjuster)	1
26	6245110	Inner cable, gearchange	2
27	4010949	Ferrule, gearchange cable	2
28	6200112	Cable adjuster c/w nut, gearchange	2
29	4020215	Nut, gearchange cable adjuster	2
30	4020298	Cable abutment, gearbox end	2
31	4533151	Solderless nipple, gearchange cable	2
32	4010640	Gear indicator plate	1

RALEIGH ROMA SCOOTER MODEL RS 1

FRONT WHEEL AND HUB GROUP J

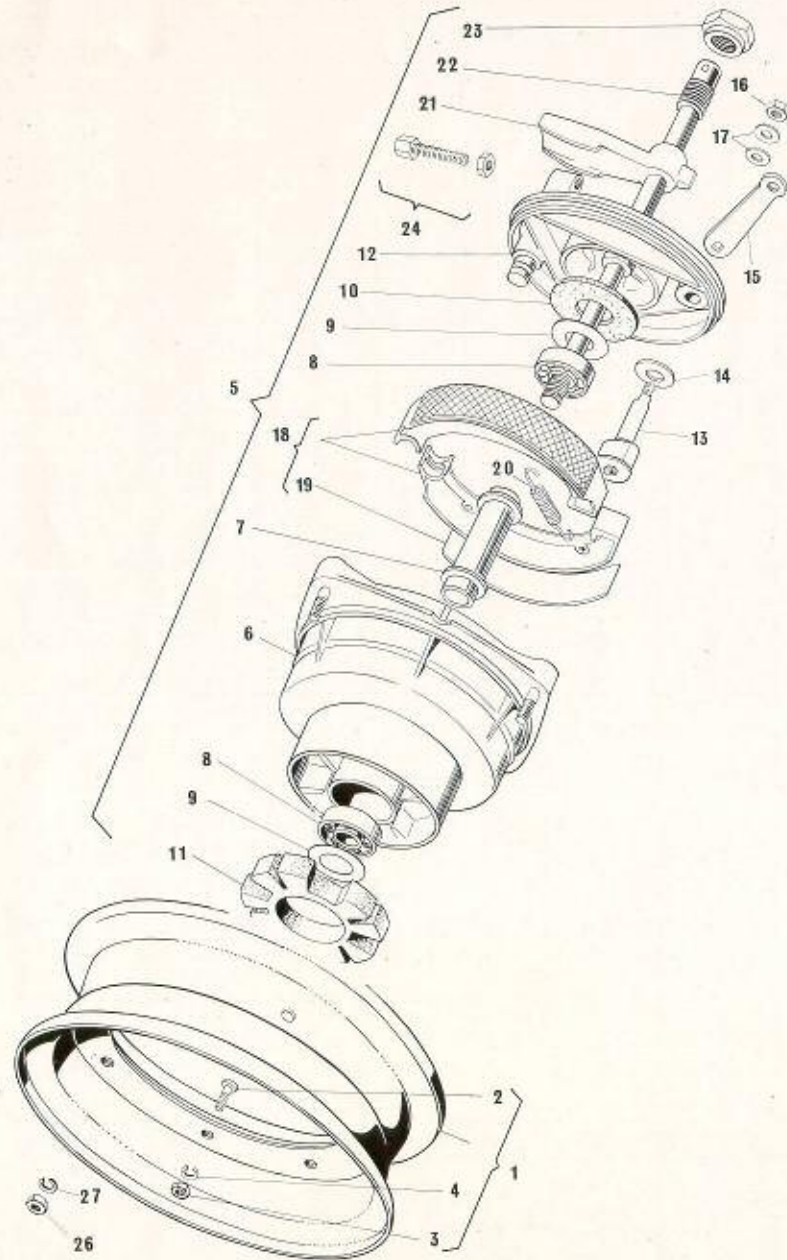


ILLUST. No.	PART No.	DESCRIPTION	No. OFF
1	6235118	Wheel rim complete, less tyre and tube ...	1
2	4010932	Scud, wheel-half fixing	4
3	4010649	Nut, wheel-half stud	4
4	4010583	Spring washer, wheel-half nut	4
5	6200115	Front hub complete	1
6	6235167	Shell, front hub, c/w studs	1
7	4010936	Distance piece, front hub bearings	1
8	4533108	Ball journal bearing, front hub	2
9	4010937	Shield washer, front hub bearing	2
10	4010539	Back plate, front brake	1
11	4533133	Felt washer, back plate	1
12	6235117	Cam and spindle, front brake	1
13	4010547	Spacing washer, front brake cam	2
14	4010540	Lever, front brake cam	1
15	4010541	Nut, brake cam spindle	1
16	4010582	Plain washer, cam spindle nut	2
17	6235116	Brake shoes c/w linings	1 pr.
18	4010537	Brake linings	1 pr.
19	4010538	Return spring, brake shoe	2
20	4533129	Felt seal, speedo drive gearbox	1
21	6200124	Speedo drive gearbox	1
22	4010543	Spindle, front hub	1
23	4010544	Nut, front hub spindle	1
24	4010940	Plain washer, spindle nut	1
25	6200201	Cable adjuster c/w nut, front brake	1
27	4010546	Nut, securing wheel to hub	4
28	4010583	Spring washer, wheel to hub nut	4
NI	4533125	Tyre 3.50" x 8"	1
NI	4533135	Inner tube 3.50" x 8"	1

NI=Not Illustrated

RALEIGH ROMA SCOOTER MODEL RS1

REAR WHEEL AND HUB GROUP K

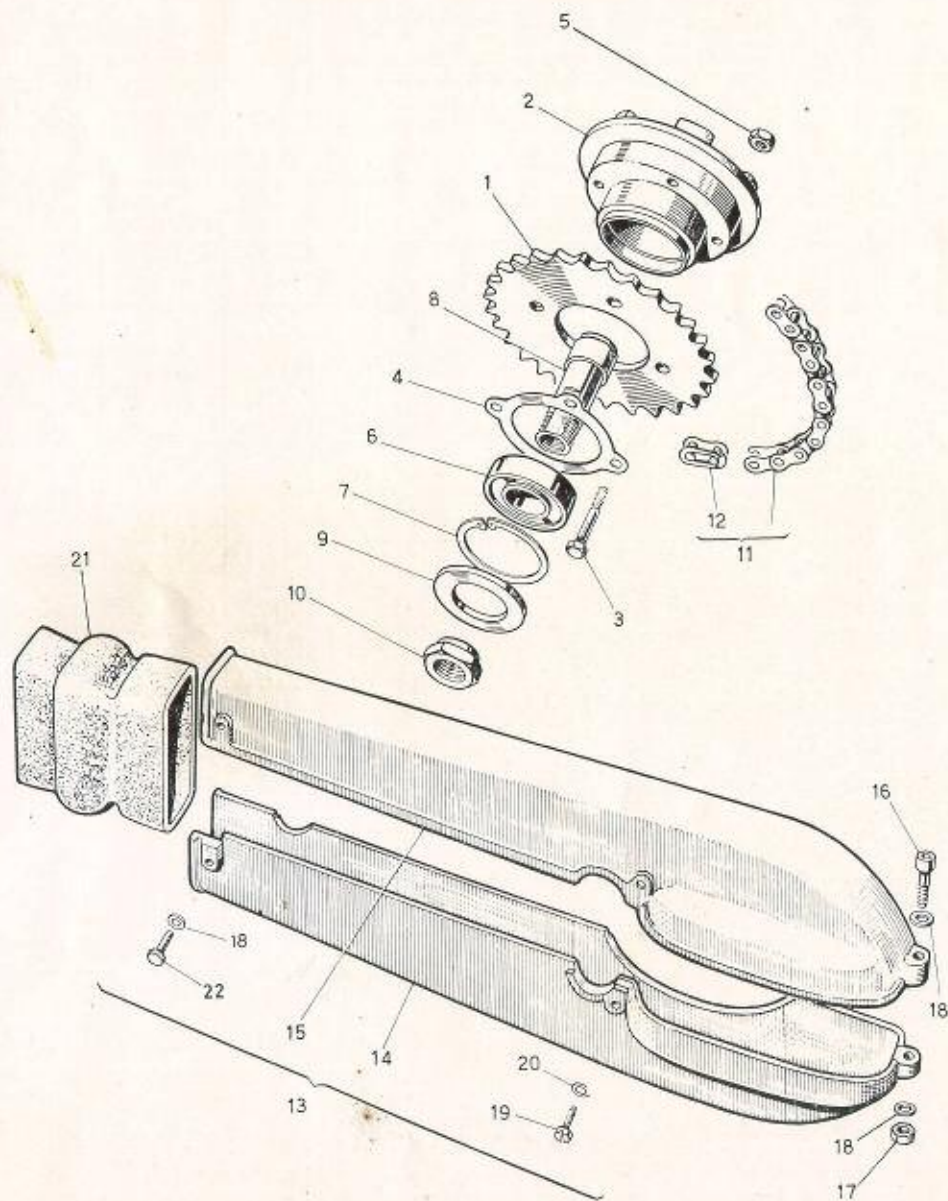


ILLUST. No.	PART No.	DESCRIPTION	No. OFF
1	6235118	Wheel rim complete, less tyre and tube ...	1
2	4010932	Stud, wheel half fixing ...	4
3	4010649	Nut, wheel-half stud ...	4
4	4010583	Spring washer, wheel-half nut ...	4
*5	6200116	Rear hub complete ...	1
6	6235120	Shell, rear hub, c/w studs ...	1
7	4010661	Spacer, rear hub bearings ...	1
8	4533136	Ball journal bearing, rear hub ...	2
9	4010933	Shield washer, rear hub bearing ...	2
10	4533173	Felt washer, rear backplate ...	1
11	4020304	Rubber for cush drive ...	1
12	6235166	Rear brake backplate ...	1
13	6235117	Cam and spindle, rear brake ...	1
14	4010547	Spacing washer, rear brake cam ...	1
15	4010540	Lever, rear brake cam ...	1
16	4010541	Nut, brake cam spindle ...	1
17	4010582	Plain washer, cam spindle nut ...	Varies
18	6235116	Brake shoes c/w linings ...	1 pr.
19	4010537	Brake linings ...	1 pr.
20	4010538	Return spring, brake shoe ...	2
21	4010548	Distance piece, rear hub to fork ...	1
22	4010550	Spindle, rear hub ...	1
23	4010552	Nut, rear hub spindle ...	1
24	6200201	Cable adjuster c/w nut, rear brake ...	1
26	4010546	Nut, securing wheel to hub ...	4
27	4010583	Spring washer, wheel to hub nut ...	4
NI	4533125	Tyre 3.50" x 8" ...	1
NI	4533135	Inner tube 3.50" x 8" ...	1

NI— Not illustrated

*Including Parts 1 to 10 from Group L

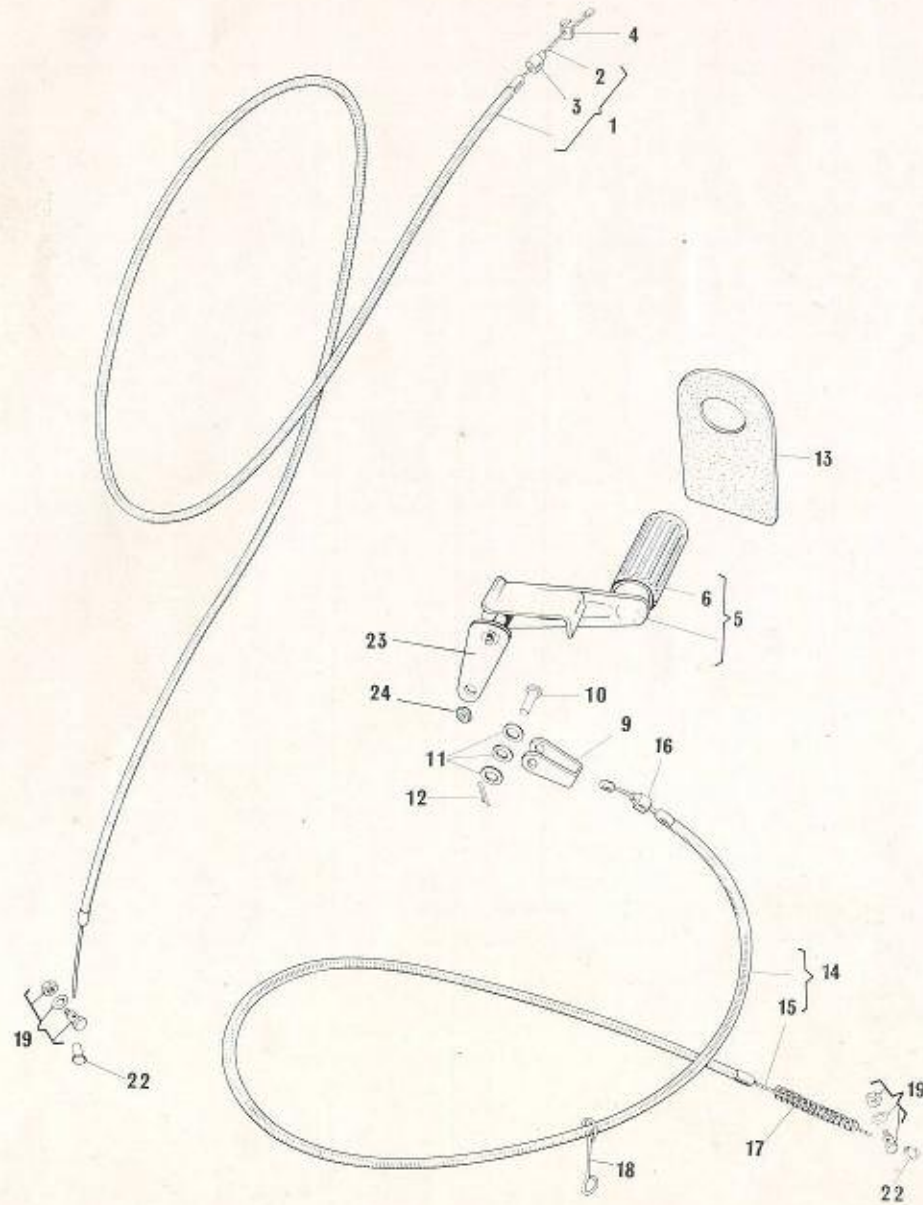
RALEIGH ROMA SCOOTER MODEL RS 1



ILLUST. No.	PART No.	DESCRIPTION	No. OFF
1	4020305	Sprocket, rear wheel	1
2	6200117	Cush drive hub c/w rubber	1
3	4020306	Bolt, rear sprocket	4
4	4020355	Locking plate, rear sprocket bolts	1
5	4010513	Nut, rear sprocket bolt	4
6	4533175	Ball journal bearing, cush drive hub	1
7	4533138	Circlip, cush drive hub bearing	1
8	4010549	Hollow spindle, cush drive hub	1
9	4010947	Dust cap, cush drive hub bearing	1
10	4010552	Nut, cush drive spindle	1
11	4533134	Rear chain c/w connecting link	1
12	4533170	Connecting link, rear chain	1
13	6200130	Chain case, c/w fixing bolts	1
14	4010511	Chain case half, lower	1
15	4010510	Chain case half, upper	1
16	4010512	Screw, chain case clamping	1
17	4010513	Nut, chain case clamping screw	1
18	4020260	Plain washer, chain case screw	4
19	4010610	Screw, chain case fixing	2
20	4020261	Plain washer, chain case fixing screw	2
21	4010571	Rubber gaiter, chain case	1
22	4010514	Bolt, chain case fixing	2

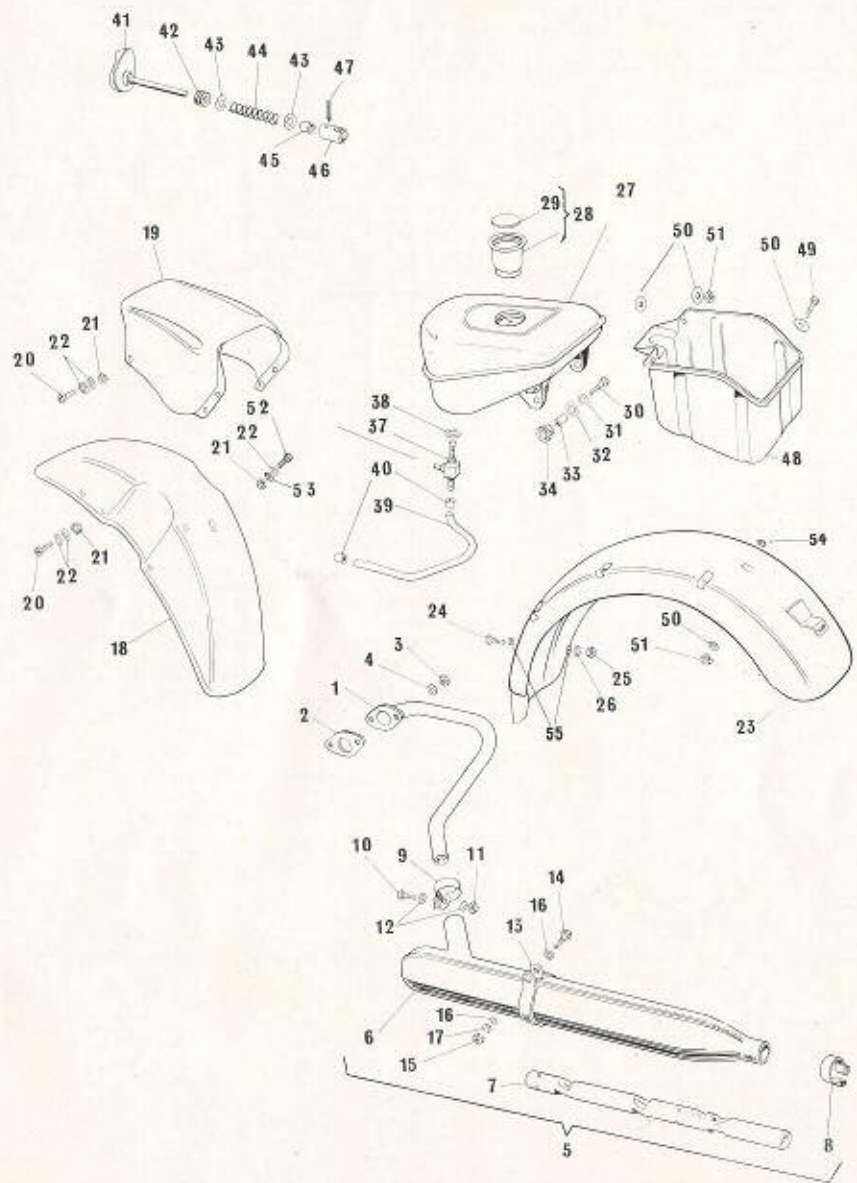
REAR BRAKE LEVER AND FRONT AND REAR BRAKE CABLES

GROUP M



ILLUST. No.	PART No.	DESCRIPTION	No. OFF
1	6235130	Front brake cable, complete...	1
2	6235122	Inner cable, front brake ...	1
3	4010949	Ferrule, front brake cable ...	1
4	4010669	Slotted nipple, front brake cable ...	1
5	6200205	Pedal, rear brake, c/w rubber ...	1
6	4010577	Pedal rubber, brake pedal ...	1
9	4010579	Yoke, rear brake cable ...	1
10	4010580	Clevis pin, rear brake cable ...	1
11	4020260	Plain washer, rear brake clevis ...	3
12	4010943	Split pin, rear brake clevis ...	1
13	4010651	Rubber flap for brake pedal ...	1
14	6235131	Rear brake cable, complete ...	1
15	6235133	Inner cable, rear brake ...	1
16	4010948	Ferrule, rear brake cable ...	1
17	4010916	Spring, rear brake cable ...	1
18	4010652	Clip, rear brake cable ...	1
19	6200169	Clamp bolt complete, rear brake cable ...	2
22	4010654	Rubber terminal, rear brake cable ...	2
23	4010578	Lever, footbrake pedal ...	1
24	4010513	Nut, rear brake pedal ...	1

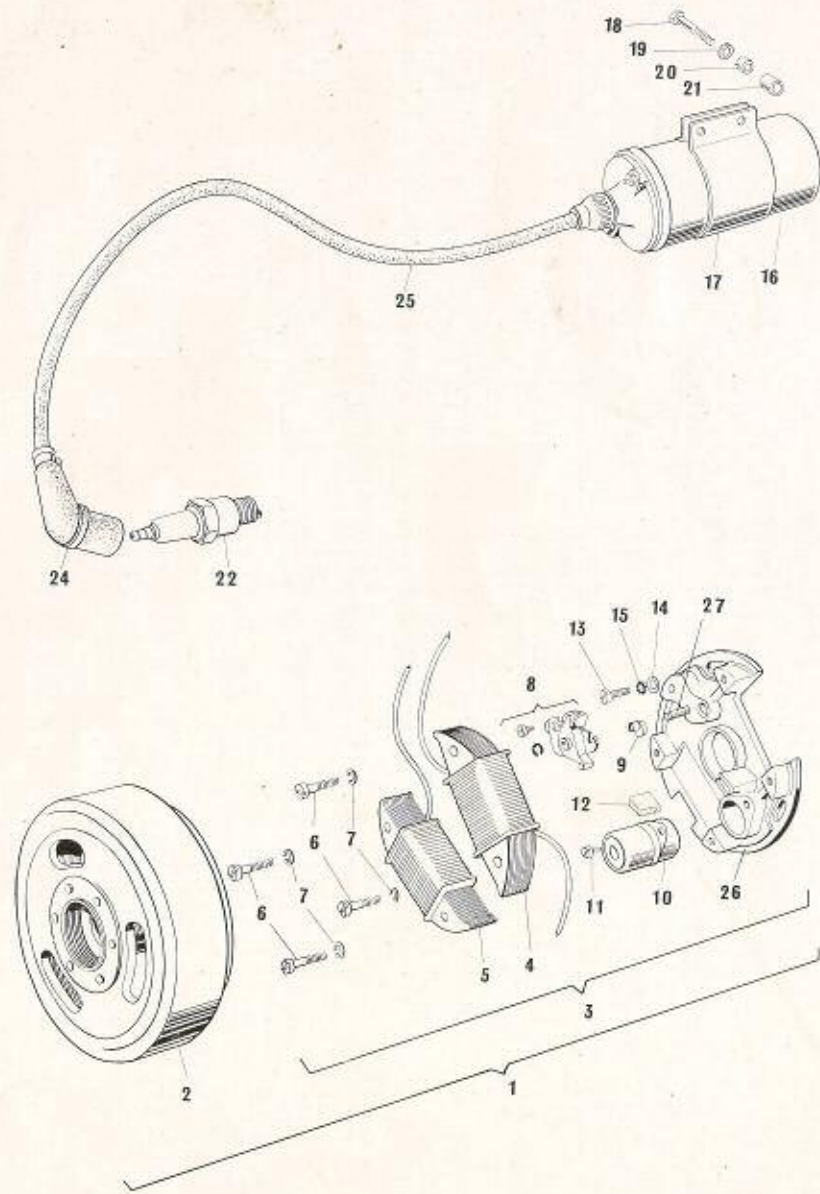
RALEIGH ROMA SCOOTER MODEL RS 1



ILLUST. No.	PART No.	DESCRIPTION	No. OFF
1	4000236	Exhaust pipe	1
*2	4000235	Gasket, exhaust pipe flange	1
3	4000204	Nut, exhaust flange stud	2
4	4020260	Plain washer, exhaust flange nut	2
5	6225104	Silencer assembly	1
6	6225109	Body, silencer	1
7	6225101	Internal tube, silencer	1
8	6225106	Spring clip, silencer tube securing	1
9	4000240	Clip, exhaust pipe to silencer	1
10	4000226	Bolt, exhaust pipe clip	1
11	4010513	Nut, exhaust pipe clip bolt	1
12	4020260	Plain washer, exhaust pipe clip	2
13	4010572	Clip, silencer mounting	1
14	4010515	Bolt, silencer mounting clip	1
15	4010513	Nut, silencer mounting bolt	1
16	4010599	Plain washer, silencer mounting clip	2
17	4020291	Spring washer, silencer mounting bolt	1
18	6235112	Front mudguard	1
19	4010670	Front air scoop	1
20	4010610	Screw, mudguard and air scoop securing	8
21	4010597	Nut, front mudguard securing bolt... ..	8
22	4010609	Plain washer, front mudguard securing bolt	16
23	6235114	Rear mudguard	1
24	4010611	Bolt, rear mudguard securing	4
25	4010513	Nut, rear mudguard securing bolt	2
26	4020291	Spring washer, rear mudguard securing bolt	2
27	6200315	Fuel tank	1
28	6235129	Filler cap, fuel tank	1
29	4010682	Metal plate, filler cap	1
30	4010520	Bolt, fuel tank mounting	3
31	4010643	Plain washer, fuel tank mounting bolt	3
32	4010534	Rubber washer, fuel tank mounting	3
33	4010518	Sleeve, fuel tank mounting bolt	3
34	4010517	Rubber bush, fuel tank mounting	3
37	4533126	Fuel tap	1
38	4010697	Fibre washer, fuel tap, 0.5 mm.	1
38	4010516	Fibre washer, fuel tap, 0.7 mm.	1
38	4010645	Fibre washer, fuel tap, 0.9 mm.	1
39	4010525	Fuel pipe	1
40	4010691	Ferrule, fuel pipe	2
41	6235102	Knob, fuel tap operation	1
42	4010647	Rubber grommet between body and knob	1
43	4020260	Plain washer, knob spindle spring	2
44	4010523	Spring, knob spindle	1
45	4010699	Nylon bush, knob spindle	1
46	4010524	Slotted sleeve, knob spindle	1
47	4010646	Split pin, slotted sleeve	1
48	6235110	Tool box	1
49	4010611	Bolt, tool box fixing	1
50	4010642	Plain washer, tool box fixing	6
51	4000204	Nut, tool box fixing	3
52	4010607	Bolt, front mudguard	1
53	4000205	Plain washer, front mudguard	1
54	4010533	Rubber washer, tool box fixing	1
55	4020260	Plain washer, rear mudguard	4

*For complete set of gaskets and oil seals, see Section R.

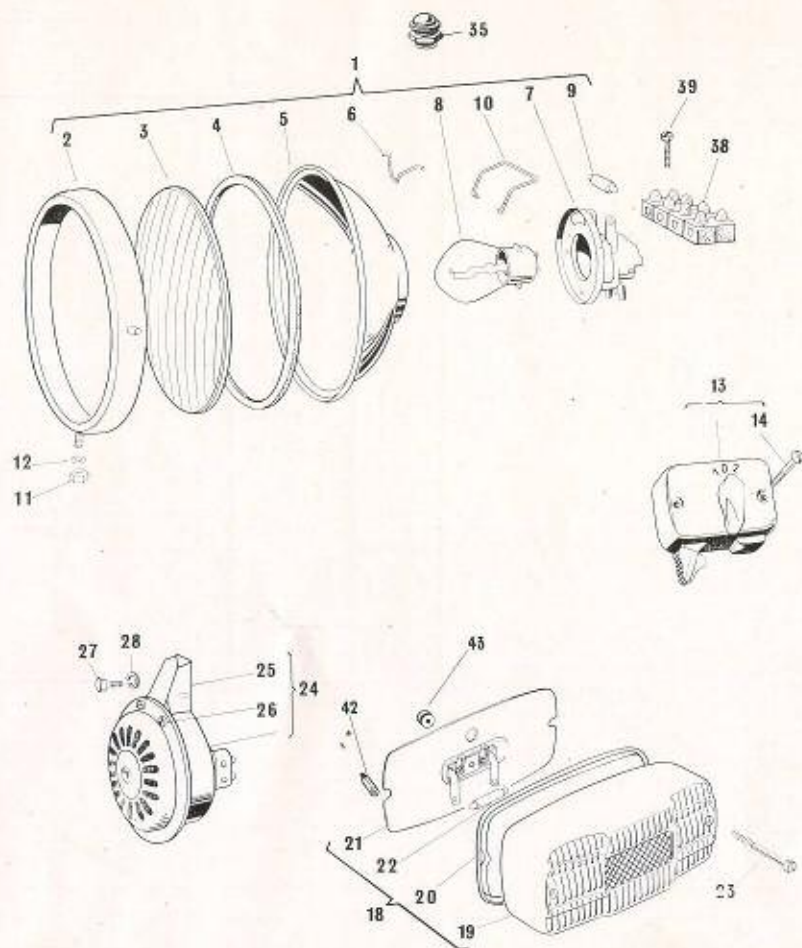
FLYWHEEL MAGNETO-ALTERNATOR GROUP 0



ILLUST. No.	PART No.	DESCRIPTION	No. OFF
1	6200106	Magneto flywheel and stator complete	1
2	6200319	Magneto flywheel	1
3	6200107	Stator plate complete	1
4	6200108	Ignition coil (upper)	1
5	6200109	Lighting coil (lower)	1
6	4000241	Screw, coil fixing	4
7	4000242	Spring washer, coil fixing screw	4
8	6200111	Contact breaker complete	1
9	6200320	Eccentric, contact breaker adjusting	1
10	6200110	Condenser	1
11	4000238	Screw, condenser fixing	1
12	6200429	Felt, cam lubricating	1
13	4000231	Screw, stator plate securing	3
14	4000233	Washer, stator plate screw	3
15	4000232	Shakeproof washer, stator plate screw	3
16	4533127	H.T. coil	1
17	4010655	Bracket, H.T. coil	1
18	4010657	Bolt, H.T. coil attachment	2
19	4020260	Plain washer, H.T. coil bolt	2
20	4010656	Spacer, H.T. coil bracket	2
21	4010569	Spacer, H.T. coil mounting	2
22	6200538	Sparking plug	1
24	6200539	Waterproof suppressor cap, sparking plug	1
25	4000239	H.T. lead	1
26	6200430	Stator backplate c/w contact breaker spindle	1
27	6200431	Spindle, contact breaker	1

RALEIGH ROMA SCOOTER MODEL RS 1

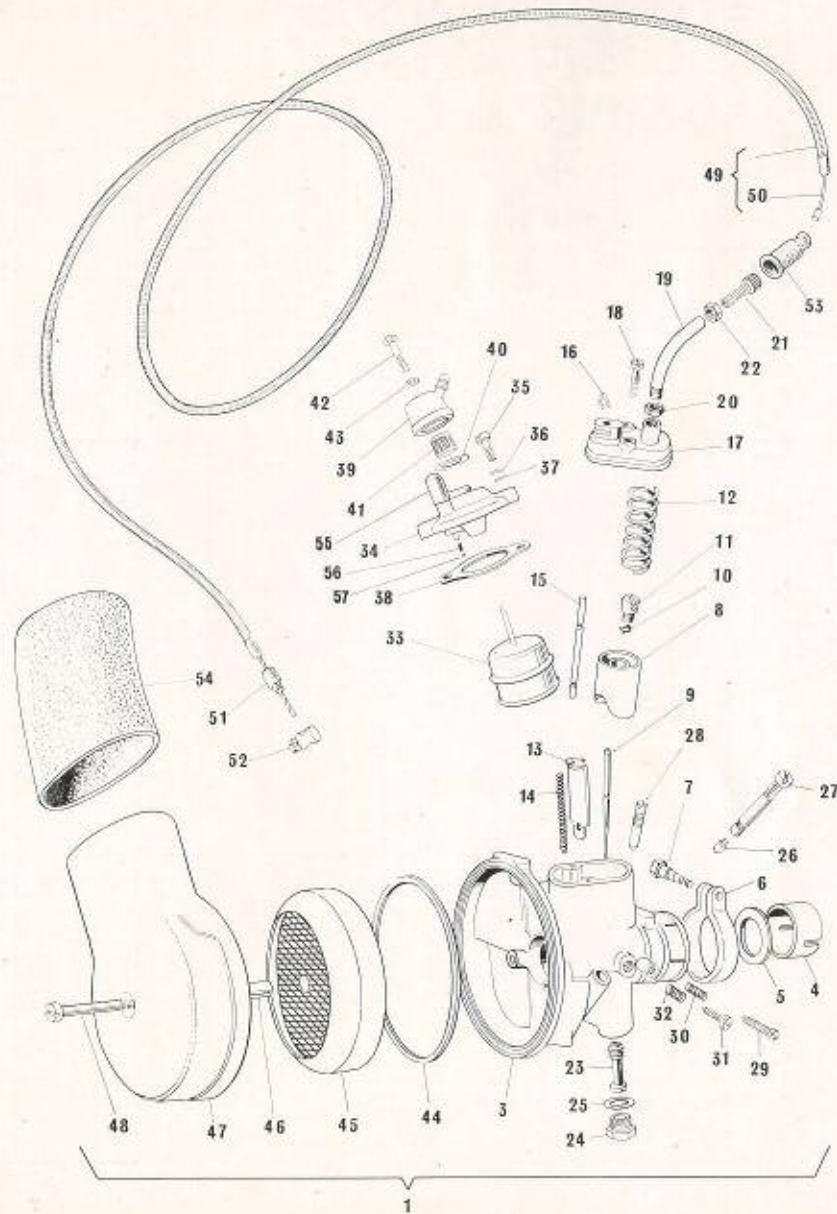
LIGHTING AND HORN GROUP P



ILLUST. No.	PART No.	DESCRIPTION	No. OFF
1	4533141	Front headlamp complete	1
2	6200324	Rim, headlamp	1
3	6200305	Glass, headlamp	1
4	6200306	Sealing ring, headlamp glass	1
5	6200203	Reflector c/w springs, headlamp	1
6	6200307	Spring clip, reflector securing	6
7	6200308	Bulb holder, headlamp	1
8	4533143	Main bulb, headlamp 6V. 25/25W.	1
9	4533142	Pilot bulb, headlamp 12V. 10W. Festoon	1
10	6200309	Spring clip, bulb holder securing	1
11	6200310	Locknut, headlamp adjustment	1
12	4000233	Plain washer, adjustment locknut	1
13	4533145	Combined lighting switch	1
14	4533148	Screw, lighting switch securing	2
18	4533130	Rearlamp complete	1
19	6200311	Lens, ruby, rearlamp	1
20	6200312	Sealing washer, rearlamp lens	1
21	6200313	Lampholder plate, rearlamp	1
22	4533131	Bulb, rearlamp, 6V. 5W. Festoon	1
23	6200314	Screw, rearlamp lens fixing	2
24	4533128	Electric horn c/w bracket	1
25	4010684	Bracket, horn mounting	1
26	4010659	Screw, horn to bracket	2
27	4010514	Bolt, horn mounting	1
28	4020291	Spring washer, horn mounting bolt	1
35	4533152	Green indicator light complete	1
36	4533161	Flexible terminal block	1
37	4010663	Self tapping screw, terminal block fixing	1
38	4533162	Flexible terminal block	1
39	4010662	Screw, terminal block fixing	2
40	4533167	Rubber grommet, H.T. cable	1
41	4533169	Cable clip	5
42	4010667	Distance piece, rear lamp	2
43	4010956	Grommet, rear lamp backplate	1
NI	6235137	Cable harness complete	1
NI	4010614	Plain washer, handlebar earth screw	1
NI	4010615	Screw, headlamp earth, handlebar	1

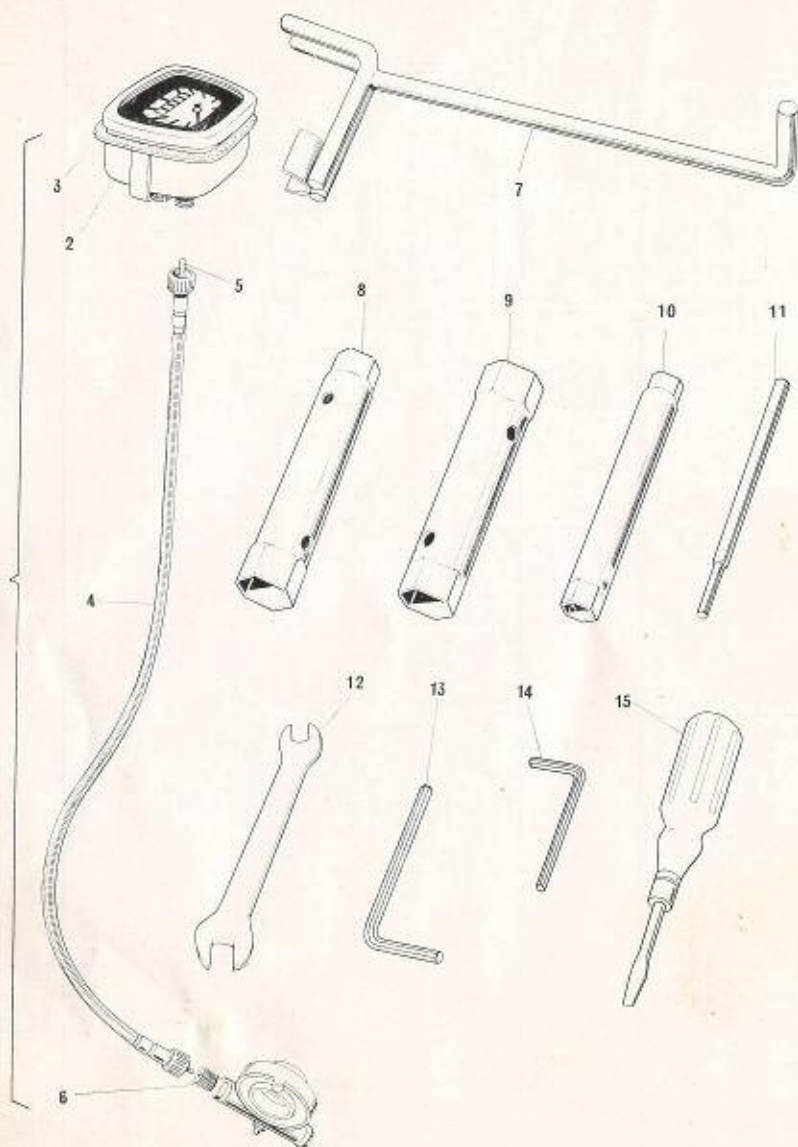
NI—Not illustrated

RALEIGH ROMA SCOOTER MODEL RS 1



ILLUST. No.	PART No.	DESCRIPTION	No. OFF
1	4533102	Carburettor c/w cable and air filter	1
3	6200234	Carburettor body	1
4	6200269	Fibre sleeve, carburettor stub	1
5	6200278	Fibre spacing washer, carburettor stub	1
6	6200270	Clamp ring, carburettor stub	1
7	6200271	Screw, clamp ring	1
8	6200247	Throttle slide	1
9	6200245	Taper needle 'G'	1
10	6200246	Spring clip, carburettor needle	1
11	6200316	Cable nipple retainer, throttle slide	1
12	6200272	Return spring, throttle slide	1
13	6200251	Strangler shutter	1
14	6200250	Return spring, strangler shutter	1
15	6200252	Operating plunger, strangler shutter	1
16	6200253	Spring clip, strangler plunger	1
17	6200254	Cover, mixing chamber	1
18	6200255	Screw, mixing chamber cover	2
19	6200261	Guide tube, throttle cable	1
20	6200304	Locknut, guide tube	1
21	4010692	Adjuster, throttle cable	1
22	6200262	Locknut, throttle cable adjuster	1
23	6200243	Needle jet	1
24	6200244	Access plug, needle jet	1
25	6200249	Fibre washer, access plug	1
26	6200267	Main jet	1
27	6200301	Holder, main jet	1
28	6200268	Pilot jet	1
29	6200275	Screw, pilot air	1
30	6200276	Spring, pilot air screw	1
31	6200273	Screw, throttle stop	1
32	6200274	Spring, throttle stop screw	1
33	6200242	Float	1
34	6200241	Cover, float chamber	1
35	6200256	Screw, float chamber cover	2
36	6200318	Spring washer, float chamber cover	2
37	6200531	Plain washer, float chamber cover	2
38	6200237	Joint, float chamber cover	1
39	6200258	Fuel filter chamber	1
40	6200300	Fibre washer, filter chamber	1
41	6200257	Fuel filter	1
42	6200259	Bolt, filter chamber	1
43	6200260	Fibre washer, filter chamber bolt	1
44	6200235	Sealing ring, air filter	1
45	6200303	Air filter element	1
46	6200302	Spacer tube, air filter	1
47	6200265	Air filter body	1
48	6200266	Screw, air filter body	1
49	6225105	Throttle cable complete	1
50	6225108	Throttle inner cable	1
51	4010949	Ferrule, throttle cable	1
52	4533151	Solderless nipple, throttle cable	1
53	4533147	Rubber sleeve cap	1
54	4000224	Air hose, carburettor	1
55	6200238	Tickler plunger	1
56	6200239	Spring, tickler plunger	1
57	6200240	Clip, tickler plunger	1

SPEEDOMETER, TOOLS, GASKET & OIL SEAL SETS GROUP R



ILLUST. No.	PART No.	DESCRIPTION	No. OFF
1	4533144	Speedometer, c/w cable and gearbox	1
2	6200121	Speedometer head, complete	1
3	6200515	Rubber sealing washer	1
N.I.	6200594	Lens, speedometer	1
N.I.	6200595	Bezel, speedometer	1
4	6200122	Speedometer cable, complete	1
5	6200321	Inner cable, speedometer	1
6	6200124	Drive unit, speedometer	1
7	6235164	Rear wheel stand	1
8	4010672	Box spanner, 21 x 19 mm.	1
9	4010673	Box spanner, 22 x 27 mm.	1
10	4010674	Box spanner, 11 x 14 mm.	1
11	4010678	Tommy bar	1
12	4010675	Spanner, open-ended, 8 x 10 mm.	1
13	6200574	Hexagon key, 5 mm.	1
or 13	6200599	Hexagon key, 4.5 mm.	1
14	6200572	Hexagon key, 3 mm.	1
or 14	6200573	Hexagon key, 4 mm.	1
15	4533172	Screwdriver	1
N.I.	6200578	Set of gaskets and joints	1
N.I.	6200579	Set of oil seals	1

N.I.—Not Illustrated.

SPECIAL WORKSHOP TOOLS GROUP S

PART No.	DESCRIPTION
6200180	"T" handle socket spanner, 14 mm.
6200568	Flywheel extractor, for magneto type CEV. 6049
6200516	Clutch holding tool
6200518	"L" handle socket spanner, 10 mm.
6200113	Crankshaft pinion extractor
6200575	Hexagon key, 10 mm., clutch retaining nut
6200571	Piston stop
6200559	Gudgeon pin extractor
6200556	Ignition advance gauge

ACCESSORIES GROUP T

PART No.	DESCRIPTION
4533176	Windscreen, complete
4533210	Spare wheel, c/w tyre and tube
4533207	Rear luggage carrier
4533208	Luggage and spare wheel carrier
4533229	Triple suite (pannier bags and suitcase) in Royal Stewart Tartan, c/w fittings
4533232	Triple suite, in Gordon Tartan
4533235	Triple suite, in Leopard
4533231	Dualseat cover, in Royal Stewart Tartan
4533234	Dualseat cover, in Gordon Tartan
4533257	Dualseat cover, in Leopard
4533230	Spare wheel cover, in Royal Stewart Tartan
4533233	Spare wheel cover, in Gordon Tartan
4533256	Spare wheel cover, in Leopard
4533242	Footboard rubber mat
4533209	Limpet scooter bag

ISSUED BY RALEIGH INDUSTRIES LIMITED

IceniCAM Information Service

