

RALEIGH

ROMA

SCOOTER

MODELS RS.1, RS.2 AND RS.3

SPARE PARTS LIST

MTR 310

PRICE 5/-

RALEIGH

ROMA

SCOOTER

MODELS RS.1, RS.2 AND RS.3

SPARE PARTS LIST

Issued by:—

RALEIGH INDUSTRIES LIMITED

A member of the  Group of Companies

**PARTS AND SERVICE DEPARTMENT
LENTON BOULEVARD
NOTTINGHAM**

**Telephone: NOTTINGHAM 77761 Telegrams: RALIND, NOTTINGHAM
Telex: NOTTINGHAM 37681**

INSTRUCTIONS FOR ORDERING

It is essential that the following information is provided with every order for spare parts:—

1. Type and Model of the machine.
2. Frame and Engine numbers.
3. Part number, description, colour and quantity of each spare part required.

Failure to provide this necessary information will inevitably lead to delay in fulfilling the order.

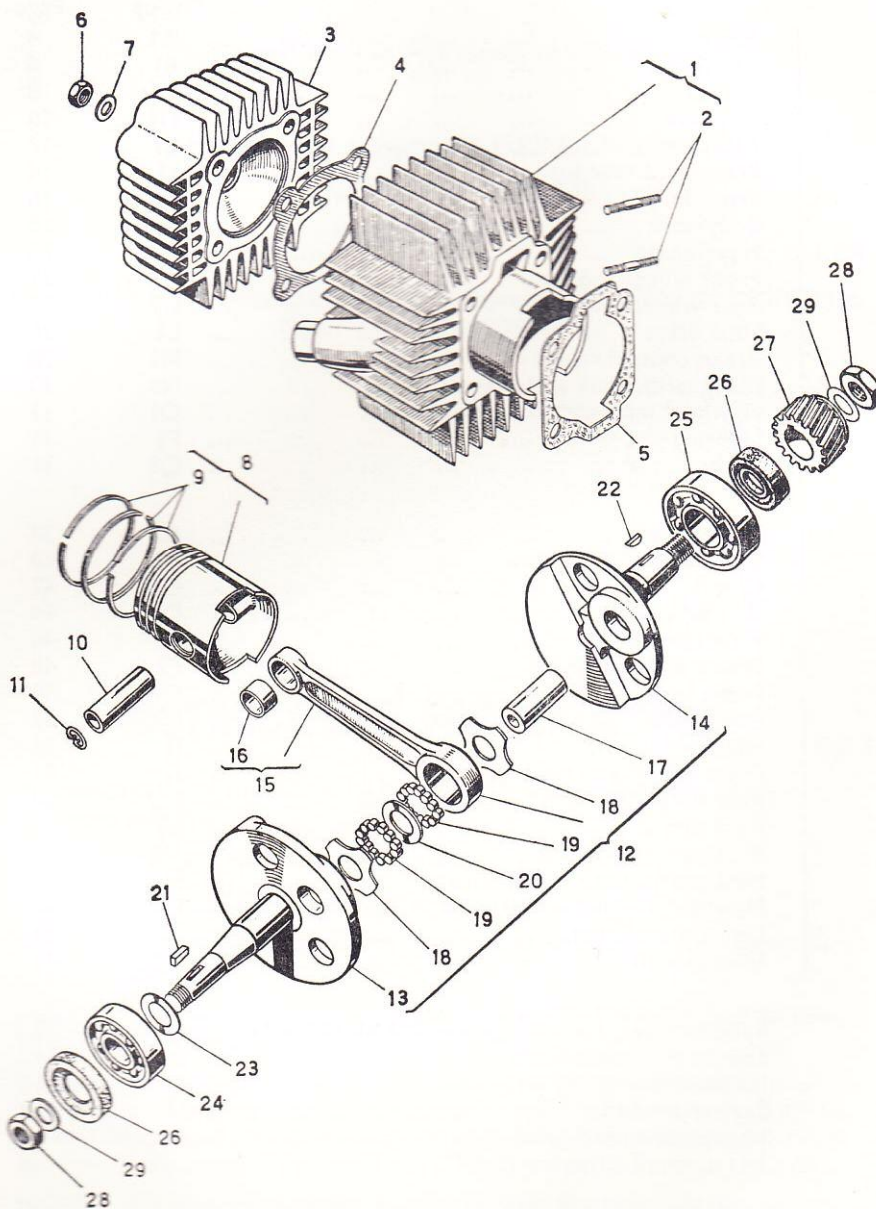
Every effort is made to ensure that spare parts are readily available in all areas. Should any part not be immediately available from your local agent, he will be pleased to place an order with Raleigh Service Headquarters for you. It is not normal practice to supply spare parts direct to the public.

NOTE.—We reserve the right to alter or vary the specifications of parts herein listed without prior notice.

The terms issued from time to time by our Motorised Division and the Conditions of Sale in our Guarantee apply.

CONTENTS

		Group	Page
RS.1	Engine	A1	4
	Crankcase	B1	6
	Clutch	C1	8
	Gearbox	D1	10
	Kickstart	E1	12
	Frame and rear fork	F1	14
	Front fork	G1	16
	Bodywork	H1	18
	Handlebars	I1	20
	Front wheel and hub	J1	22
	Rear wheel and hub	K1	24
	Final drive	L1	26
	Brake control cables	M1	28
	Mudguards, tank and silencer	N1	30
	Flywheel magneto-alternator	O1	32
Lighting and horn	P1	34	
Carburettor	Q1	36	
RS.2 & 3	Engine	A2	38
	Crankcase	B2	40
	Clutch	C2	42
	Gearbox	D2	44
	Kickstart	E2	46
	Frame and rear fork	F2	48
	Front fork	G2	50
	Bodywork	H2	52
	Handlebars	I2	54
	Front wheel and hub	J2	56
	Rear wheel and hub	K2	58
	Final drive	L2	60
	Brake control cables	M2	62
	Mudguards, tank and silencer	N2	64
	Flywheel magneto-alternator	O2	66
Lighting and horn	P2	68	
Carburettor	Q2	70	
Speedometer, tool kit, gasket and oil seal sets ...	R	72	
Special workshop tools	S	74	
Accessories	T	74	
Service Exchange	U	75	
Numerical index	—	76	



ENGINE

RS.1

GROUP 'A1'

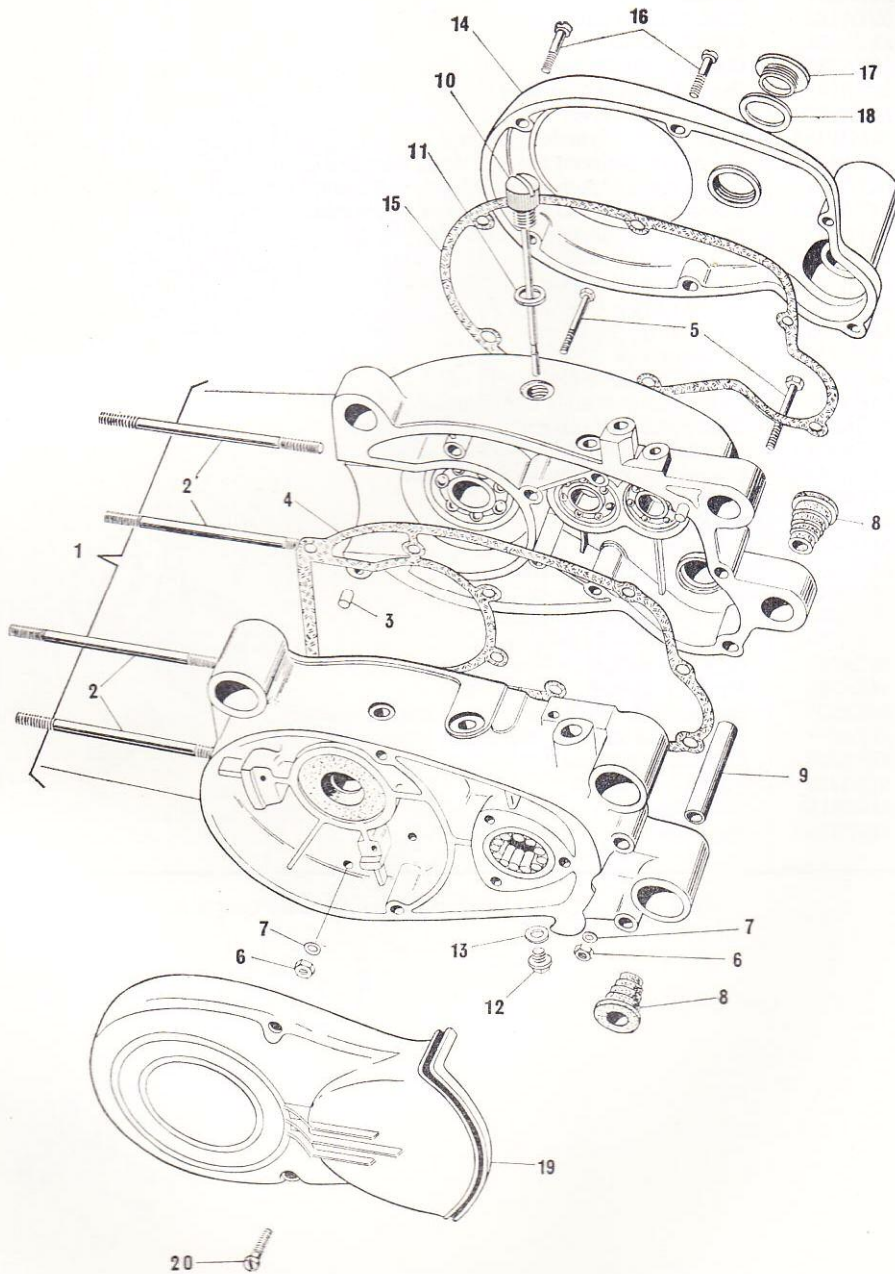
ILLUS. NO.	SALES NO.	DESCRIPTION	NUMBER OFF
1	MTA181	Cylinder	1
2	MTA182	Stud, exhaust flange	2
3	MTA183	Cylinder head	1
* 4	MTA184	Gasket, cylinder head	1
* 5	MTA185	Paper joint, cylinder base	1
6	MMN155	Nut, cylinder head	4
7	MMW183	Plain washer, cylinder head nut	4
8	MTA186	Piston c/w gudgeon pin and rings, standard	1
8	MTA187	Piston c/w gudgeon pin and rings, +0.2 mm.	1
8	MTA188	Piston c/w gudgeon pin and rings, +0.4 mm.	1
8	MTA189	Piston c/w gudgeon pin and rings, +0.6 mm.	1
9	MTA190	Piston ring, standard	3
9	MTA191	Piston ring, +0.2 mm.	3
9	MTA192	Piston ring, +0.4 mm.	3
9	MTA193	Piston ring, +0.6 mm.	3
10	MTA194	Gudgeon pin	1
11	MTA195	Circlip, gudgeon pin	2
12	MTA196	Crankshaft assembly c/w connecting rod	1
13	MTA197	Crankshaft half (magneto side)	1
14	MTA198	Crankshaft half (drive side)	1
15	MTA199	Connecting rod c/w small end bush	1
16	MTA200	Bush, small end	1
17	MTA201	Crankpin	1
18	MMW184	Scalloped washer, crankpin	2
19	MTA202	Roller bearings, big end	32
20	MMW185	Spacing washer, big end rollers	1
21	MTA203	Key (plain), magneto side	1
22	MTA204	Key (Woodruff), drive side	1
23	MTA205	Shim, crankshaft, 0.1 mm. thick	Varies
23	MTA206	Shim, crankshaft, 0.2 mm. thick	Varies
24	MTA207	Ball journal bearing, crankshaft (magneto side)	1
25	MTA208	Ball journal bearing, crankshaft (drive side)	1
*26	MTA209	Oil seal, crankshaft	2
27	MTA210	Pinion, crankshaft	1
28	MMN156	Nut, crankshaft	2
29	MMW186	Plain washer, crankshaft nut	2

*For complete sets of gaskets and oil seals see Group R.

CRANKCASE

RS.1

GROUP 'B1'



CRANKCASE

RS.1

GROUP 'B1'

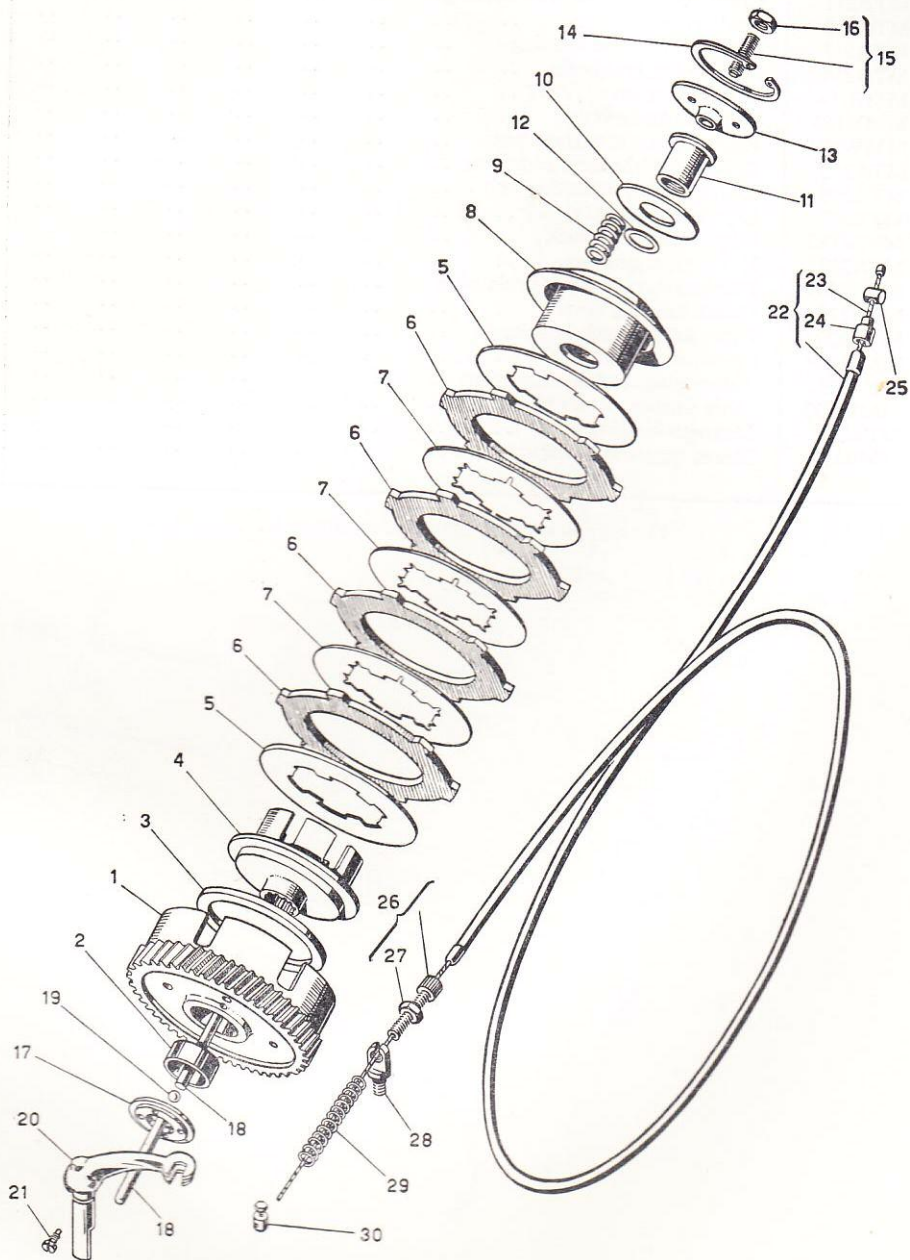
ILLUS. NO.	SALES NO.	DESCRIPTION	NUMBER OFF
1	MTA211	Crankcase complete with bearings	1
2	MTA212	Stud, cylinder	4
3	MTA213	Dowel, crankcase locating	2
* 4	MTA214	Paper joint, crankcase	1
5	MMB156	Bolt, crankcase	10
6	MMN155	Nut, crankcase bolt	10
7	MMW187	Plain washer, crankcase nut	10
8	MTA215	Rubber bush, engine mounting	6
9	MTA216	Sleeve, engine mounting bolt	3
10	MTA217	Dipstick	1
*11	MMW183	Fibre washer, dipstick	1
12	MTA218	Drain plug, gearbox	1
*13	MMW189	Fibre washer, gearbox drain plug	1
14	MTA219	Clutch housing cover	1
*15	MTA220	Paper joint, clutch housing	1
16	MMB157	Screw, clutch housing	6
17	MTA221	Access plug, clutch adjustment	1
*18	MMW190	Fibre washer, access plug	1
19	MTA222	Magneto housing cover	1
20	MMB157	Screw, magneto housing	2

*For complete sets of gaskets see Group R.

CLUTCH

RS.1

GROUP 'C1'



CLUTCH

RS.1

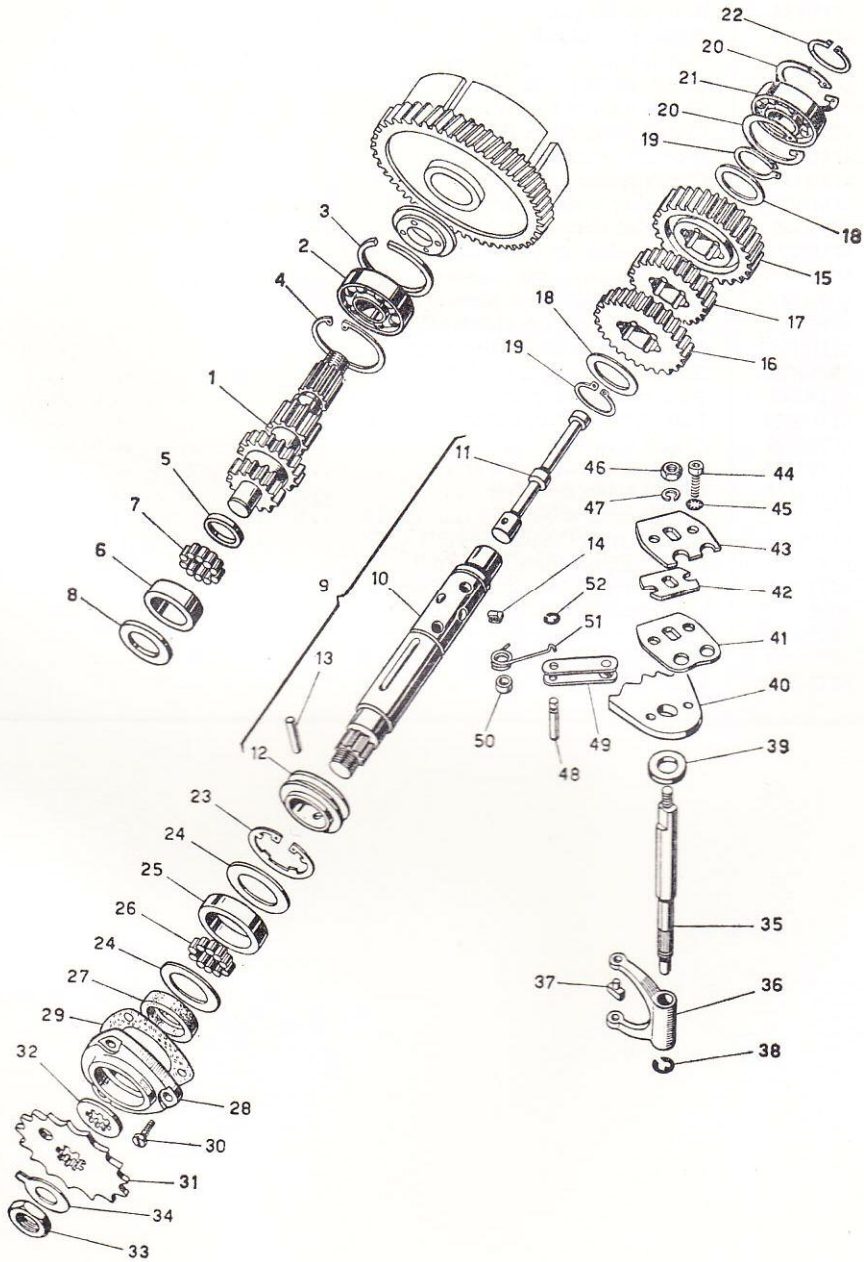
GROUP 'C1'

ILLUS. NO.	SALES NO.	DESCRIPTION	NUMBER OFF
1	MTB133	Clutch gear	1
2	MTB134	Bush, clutch gear	1
3	MTB135	Thrust ring, clutch	1
4	MTB136	Clutch hub	1
5	MTB137	Clutch plate, plain, thick	2
6	MTB138	Clutch friction plate	4
7	MTB139	Clutch plate, plain, thin	3
8	MTB140	Pressure drum, clutch	1
9	MTB141	Clutch spring	6
10	MMW211	Retaining washer, clutch springs	1
11	MTB142	Threaded sleeve, clutch hub	1
12	MMW212	Shim washer, threaded sleeve	Varies
13	MTB143	Thrust plate, clutch release	1
14	MTB144	Circlip, clutch thrust plate	1
15	MMP131	Screw and locknut, clutch adjusting	1
16	MMN167	Locknut, clutch adjusting screw	1
17	MMW213	Shouldered spacing washer	1
18	MTB145	Push rod, clutch release	2
19	MML104	Ball, $\frac{3}{16}$ " diameter, clutch push rod	1
20	MTB146	Clutch actuating arm	1
21	MMP166	Locating screw, clutch arm	1
22	MTN141	Clutch cable, complete	1
23	MTN142	Clutch inner cable	1
24	MTN143	Cable ferrule (handlebar end)	1
25	MTN144	Slotted nipple (handlebar end)	1
26	MTN145	Adjuster with locknut, clutch cable	1
27	MMN167	Locknut, clutch cable adjuster	1
28	MTN168	Cable abutment, gearbox	1
29	MTN148	Return spring, clutch cable	1
30	MTN149	Solderless nipple	1

GEARBOX

RS.1

GROUP 'D1'



GEARBOX

RS.1

GROUP 'D1'

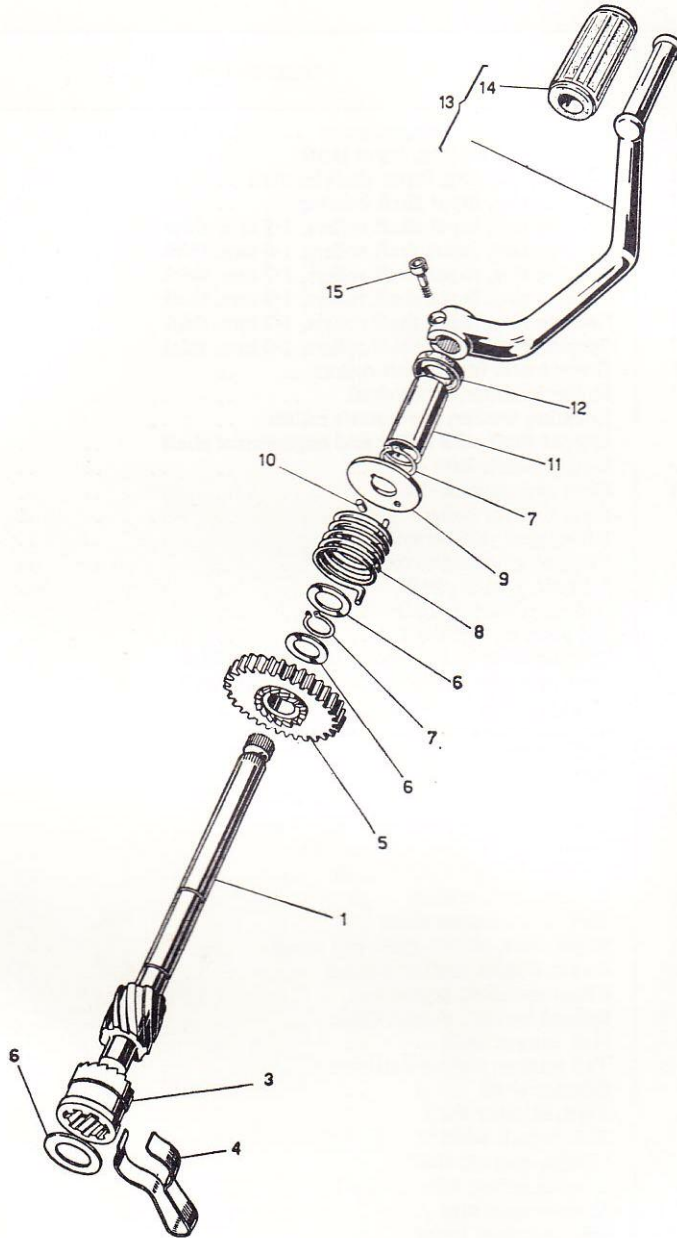
ILLUS. NO.	SALES NO.	DESCRIPTION	NUMBER OFF
1	MTD101	Input shaft with integral gears	1
2	MTK211	Ball journal bearing, input shaft	1
3	MTD103	Outer spring ring, input shaft bearing	1
4	MTD104	Inner circlip, input shaft bearing	1
5	MTD105	Spacing ring, input shaft rollers, 1.5 mm. thick	1
or 5	MTD106	Spacing ring, input shaft rollers, 1.6 mm. thick	1
or 5	MTD107	Spacing ring, input shaft rollers, 1.7 mm. thick	1
or 5	MTD108	Spacing ring, input shaft rollers, 1.8 mm. thick	1
or 5	MTD109	Spacing ring, input shaft rollers, 1.9 mm. thick	1
or 5	MTD110	Spacing ring, input shaft rollers, 2.0 mm. thick	1
6	MTD111	Outer track, input shaft rollers	1
7	MTD112	Roller bearings, input shaft	14
8	MMW214	Locating washer, input shaft rollers	1
9	MTD113	Output shaft with collar and engagement shaft	1
10	MTD114	Output shaft, bare	1
11	MTD115	Gear engagement shaft	1
12	MTD116	Gear selector collar	1
13	MTD117	Rivet, gear selector collar	1
14	MTD118	Plunger, gear engagement	9
15	MTD119	1st gear, output shaft	1
16	MTD120	2nd gear, output shaft	1
17	MTD121	3rd gear, output shaft	1
18	MMW215	Spacing washer, gear locating, 0.9 mm. thick	Varies
or 18	MMW216	Spacing washer, gear locating, 1.0 mm. thick	Varies
19	MTD122	Circlip, gear locating	2
20	MTD123	Circlip, output shaft ball bearing	2
21	MTD124	Ball journal bearing, output shaft	1
22	MTD125	Circlip, output shaft locating	1
23	MTD126	Circlip, internal, output shaft rollers	1
24	MMW217	Locating washer, output shaft rollers	1
25	MTD127	Outer track, output shaft rollers	1
26	MTD112	Roller bearings, output shaft	20
*27	MTD129	Oil seal, output shaft	1
28	MTD130	End cover, output shaft	1
*29	MTD131	Paper joint, output shaft end cover	1
30	MMB167	Screw, output shaft end cover	3
31	MTD132	Chain sprocket, gearbox	1
32	MMW218	Splined washer, output shaft	1
33	MMN168	Nut, output shaft	1
34	MMW219	Tab washer, output shaft nut	1
35	MTD133	Selector shaft	1
36	MTD134	Fork, selector shaft	1
37	MTD135	Thrust pad, selector shaft fork	2
38	MTD136	Circlip, selector shaft	1
39	MTD137	Spacing collar, selector shaft	1
40	MTD138	Selector quadrant	1
41	MTD139	Selector plate, lower	1
42	MTD140	Spacer, selector plate	1
43	MTD141	Selector plate, upper	1
44	MMB168	Socket head screw, selector plate	2
45	MMW220	Shakeproof washer, selector plate screw	2
46	MMN155	Nut, selector shaft	1
47	MMW192	Spring washer, selector shaft nut	1
48	MTD142	Pivot pin, selector arm	1
49	MTD143	Selector arm	1
50	MTD144	Spacing collar, selector arm	1
51	MTD145	Hairpin spring, selector arm	1
52	MTD146	Circlip, selector arm locating	1

*For complete sets of gaskets and oil seals see Group R.

KICKSTART

RS.1

GROUP 'E1'



KICKSTART

RS.1

GROUP 'E1'

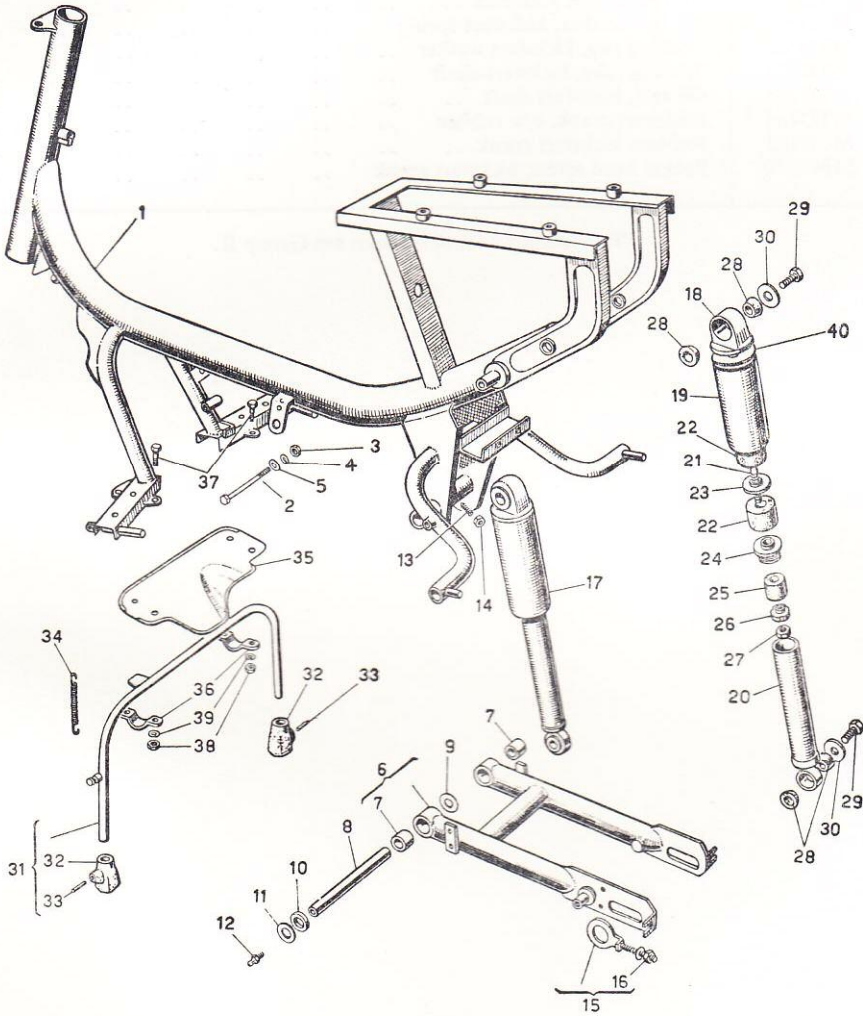
ILLUS. NO.	SALES NO.	DESCRIPTION	NUMBER OFF
1	MTD157	Shaft, kickstart	1
3	MTD158	Ratchet, kickstart	1
4	MTD159	Friction spring, kickstart ratchet	1
5	MTD160	Drive gear, kickstart ratchet	1
6	MMW229	Thrust washer, kickstart shaft	3
7	MTD161	Circlip, kickstart shaft	2
8	MTD162	Return spring, kickstart	1
9	MMW230	Anchor washer, kickstart spring	1
10	MTD163	Locking peg, kickstart washer	1
11	MTD164	Spacing tube, kickstart shaft	1
*12	MTD165	Oil seal, kickstart shaft	1
13	MTD166	Kickstart crank, c/w rubber	1
14	MTN182	Rubber, kickstart crank	1
15	MMB170	Socket head screw, kickstart crank	1

*For complete set of oil seals see Group R.

FRAME AND REAR FORK

RS.1

GROUP 'F1'



FRAME AND REAR FORK

RS.1

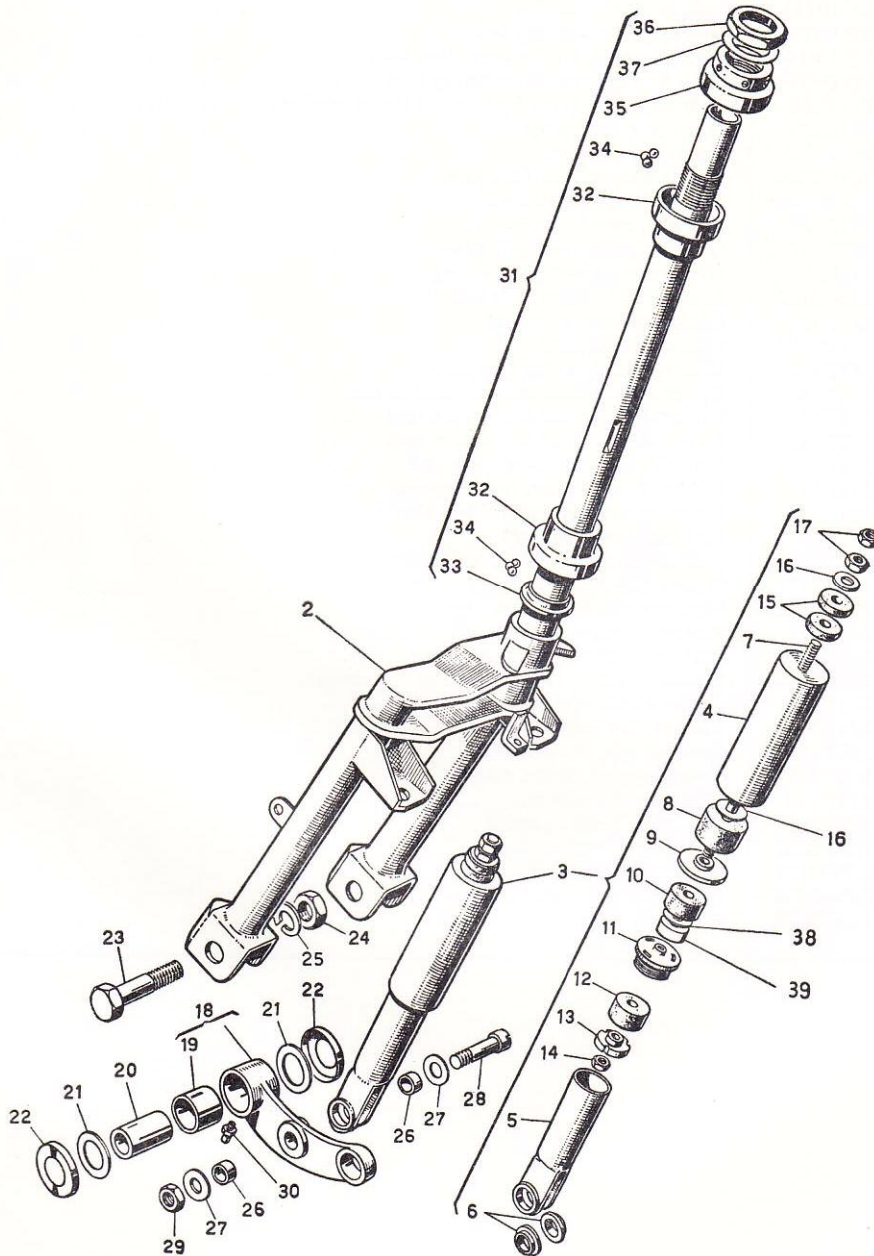
GROUP 'F1'

ILLUS. NO.	SALES NO.	DESCRIPTION	NUMBER OFF
1	MTF132	Frame	1
2	MMB173	Bolt, engine mounting	3
3	MMN176	Nut, engine mounting bolt	3
4	MMW199	Spring washer, engine mounting bolt	3
5	MMW198	Plain washer, engine mounting bolt	6
6	MTF133	Rear fork, c/w pivot bushes and thrust washers	1
7	MTF134	Bush, rear fork pivot	2
8	MTF135	Pivot pin, rear fork	1
9	MMW240	Thrust washer, rear fork pivot	2
10	MMW241	Felt washer, rear fork pivot	2
11	MTF136	End cap, rear fork pivot	2
12	MTF137	Grease nipple, rear fork pivot	2
13	MMB174	Grub screw, pivot pin locating	1
14	MMN162	Locknut, pivot pin grub screw	1
15	MTF138	Chain adjuster, complete	2
16	MMN177	Nut, chain adjuster	2
17	MTF139	Rear suspension unit complete	2
18	MTF141	Upper attachment, rear suspension unit	2
19	MTF143	Upper shroud, rear suspension unit	2
20	MTF145	Lower shroud, rear suspension unit	2
21	MTF146	Central rod, rear suspension unit	2
22	MTF147	Rubber block upper, rear suspension unit	12
23	MTF148	Nylon spacer between rubber blocks	10
24	MTF149	End cap, lower shroud	2
25	MTF150	Rubber block, rebound, rear suspension unit	2
26	MMN178	Slotted ring nut, rear suspension unit	2
27	MMN162	Nut, rear suspension unit rod	2
28	MTF151	Rubber bush, suspension unit attachment	8
29	MMB175	Bolt, suspension unit attachment	4
30	MMW243	Spacing washer, suspension unit attachment	4
31	MTF152	Centre stand, c/w rubber feet	1
32	MTF153	Rubber foot, centre stand	2
33	MTF154	Securing pin, rubber foot	2
34	MTF155	Return spring, centre stand	1
35	MTF156	Undertray for engine	1
36	MTF161	Mounting bracket, stand	2
37	MMB176	Bolt, stand bracket fixing	4
38	MMN179	Nut, stand bracket fixing bolt	4
39	MMW192	Spring washer, stand bracket fixing bolt	4
40	MMW244	Rubber washer, upper shroud	2

FRONT FORK

RS.1

GROUP 'G1'

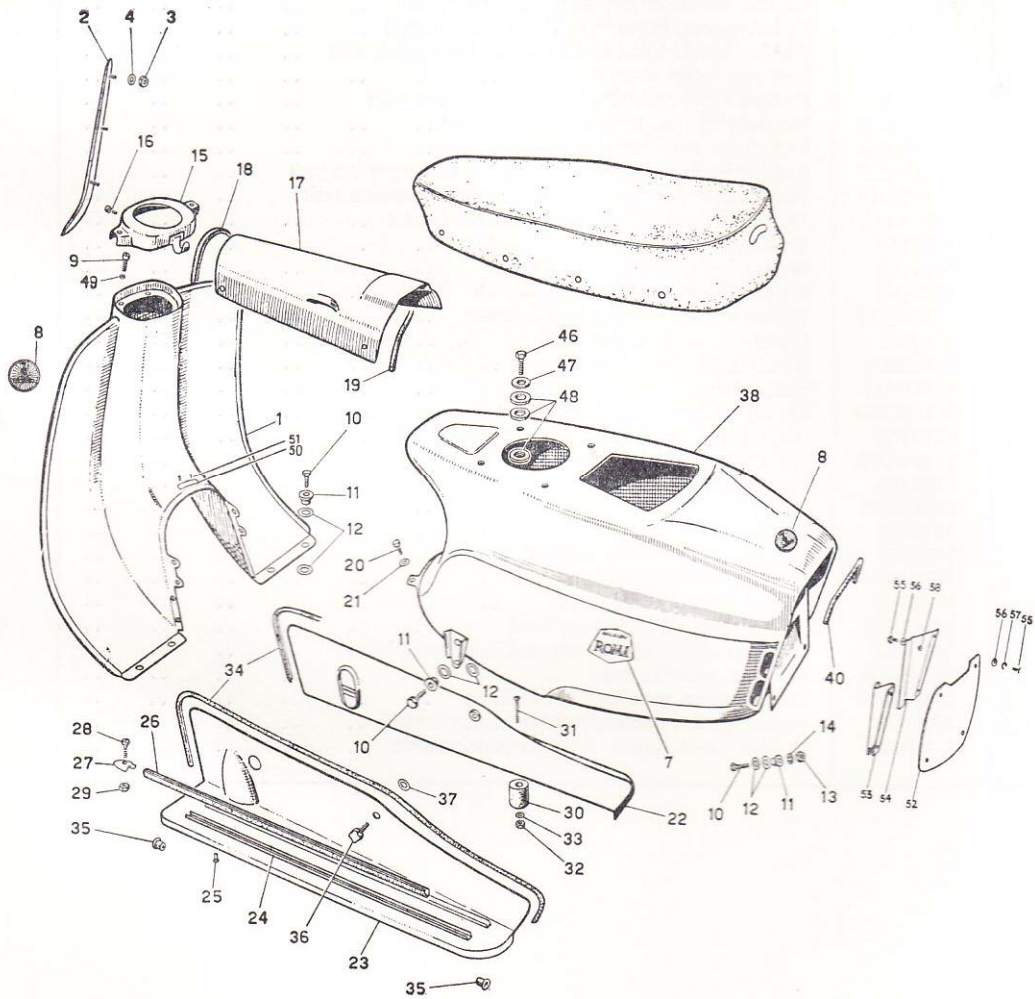


FRONT FORK

RS.1

GROUP 'G1'

ILLUS. NO.	SALES NO.	DESCRIPTION	NUMBER OFF
2	MTJ147	Front fork, bare	1
3	MTJ148	Suspension unit complete, front	2
4	MTJ149	Upper shroud, front suspension unit	2
5	MTJ150	Lower shroud, front suspension unit	2
6	MTJ151	Bush, lower shroud yoke	4
7	MTJ152	Central rod, front suspension unit	2
8	MTF147	Rubber block, upper, front suspension unit	6
9	MTF148	Nylon spacer, between rubber blocks (large)	6
10	MTJ155	Rubber block, intermediate, front suspension unit	4
11	MTF149	End cap, lower shroud	2
12	MTF150	Rubber block, rebound, front suspension unit	2
13	MMN178	Slotted ring nut, front suspension unit	2
14	MMN162	Nut, front suspension unit rod	2
15	MMW267	Rubber washer, upper mounting, front suspension unit	4
16	MMW243	Plain washer, upper mounting, front suspension unit	4
17	MMN162	Nut, upper mounting, front suspension unit	4
18	MTJ158	Trailing link, front fork, c/w bush	2
19	MTJ159	Bronze bush, trailing link fulcrum	2
20	MTJ160	Spacing bush, trailing link fulcrum	2
21	MMW268	Thrust washer, trailing link fulcrum	4
22	MTJ161	Cover cap, trailing link fulcrum	4
23	MMB200	Bolt, trailing link fulcrum	2
24	MMN192	Nut, fulcrum bolt	2
25	MMW269	Spring washer, fulcrum bolt	2
26	MTJ162	Bush, pivot pin	4
27	MMW270	Plain washer, pivot pin	4
28	MTJ163	Pivot pin, trailing link	2
29	MMN193	Nut, pivot pin	2
30	MTJ164	Grease nipple, trailing link	2
31	MTJ165	Bearing set complete, steering head	1
32	MTJ166	Frame tube cup, steering head	2
33	MTJ167	Cone, lower, steering head	1
34	MML104	Ball bearing, $\frac{3}{8}$ " , steering head	44
35	MTJ168	Cone complete, upper, adjustable, steering head	1
36	MMN194	Locknut, steering head	1
37	MMW271	Plain washer, steering head locknut	1
38	MTJ169	Nylon spacer, between rubber blocks (small)	4
39	MTJ170	Rubber block, lower, front suspension unit	2



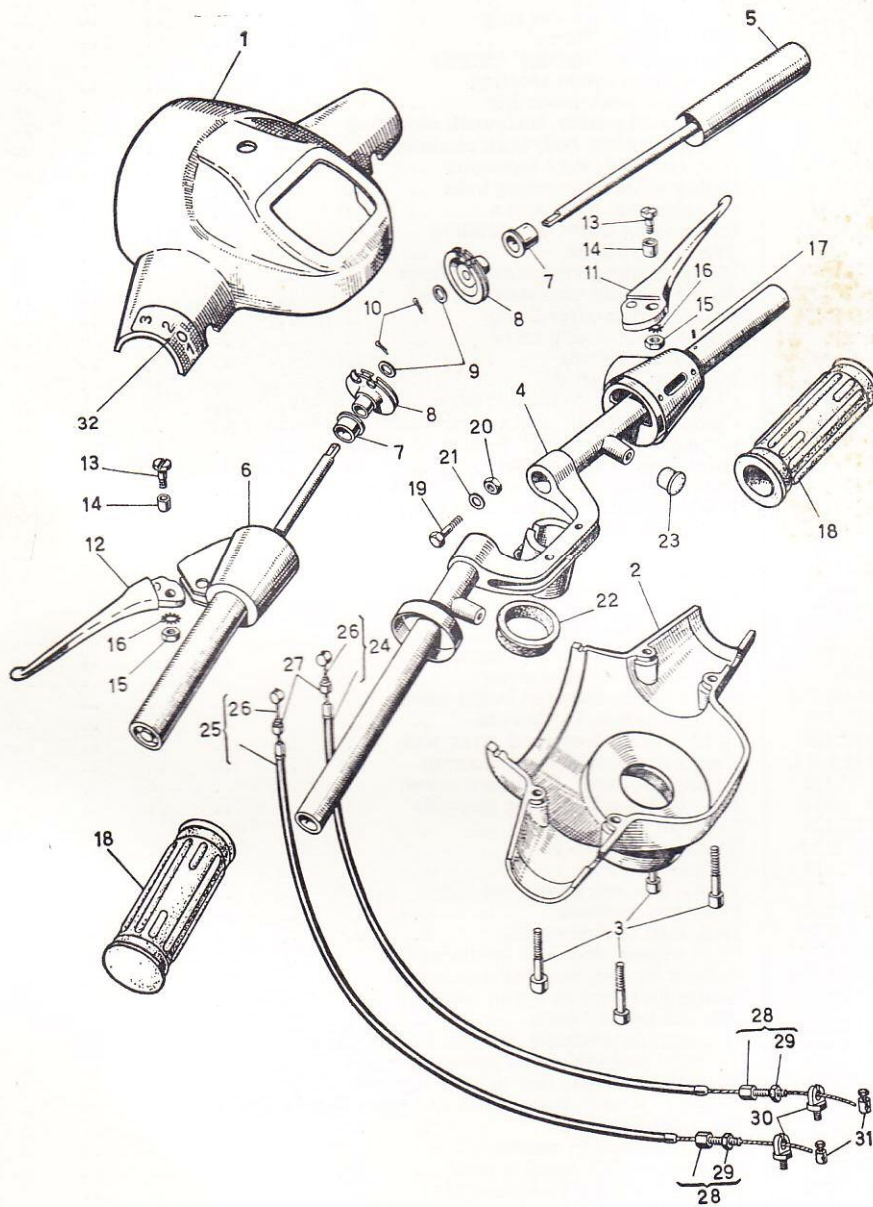
BODYWORK

RS.1

GROUP 'H1'

ILLUS. NO.	SALES NO.	DESCRIPTION	NUMBER OFF
1	MTL200	Front apron	1
2	MTL201	Chrome strip, front apron	1
3	MMN222	Nut, chrome strip	3
4	MMW295	Plain washer, chrome strip	3
7	MTL202	Plastic badge, 'Roma'	1
8	MTL203	Plastic badge, 'Raleigh' insignia	2
9	MMB216	Screw, front apron securing	2
10	MMB176	Bolt, bodywork mounting	6
11	MMW296	Shouldered washer, bodywork mounting	8
12	MMW297	Rubber washer, bodywork mounting	16
13	MMN158	Nut, rear bodywork mounting	2
14	MMW192	Spring washer, mounting bolts	2
15	MTL204	Cap pressing, front apron	1
16	MMB217	Self-tapping screw, cap pressing	4
17	MTL205	Top cover, engine	1
18	MTL206	Plastic beading, engine cover, front	1
19	MTL207	Plastic beading, engine cover, rear	1
20	MMB218	Screw, engine cover fixing	4
21	MMW298	Plain washer, fixing screw	4
22	MTL208	Footboard, offside	1
23	MTL209	Footboard, nearside	1
24	MTL210	Channel, inner, footboard tread	2
24	MTL211	Channel, outer, nearside, footboard tread	1
24	MTL212	Channel, outer, offside, footboard tread	1
25	MTL213	Rivet, footboard channel fixing	27
26	MTL214	Rubber tread strip, footboard, short	2
26	MTL215	Rubber tread strip, footboard, long	2
27	MTL216	End clamp, rubber strip	6
27	MTL217	End clamp, rubber strip, rear outer	2
28	MMB219	Fixing screw, end clamp	6
28	MMB220	Fixing screw, end clamp, rear outer	2
29	MMN223	Nut, end clamp fixing screw	6
30	MTL218	Rubber buffer, kickstart crank	1
31	MMB221	Screw, kickstart buffer securing	1
32	MMN224	Nut, kickstart buffer screw	1
33	MMW295	Plain washer, kickstart buffer screw	1
34	MTL219	Plastic beading, footboards	2
35	MTL220	Rubber bush, footboard pivot pins	4
36	MMB222	Finger screw, footboard securing	4
37	MTL221	Rubber grommet, footboard screw	4
38	MTL222	Rear bodywork pressing assembly	1
N.I.	MTL223	Transfer 'RESERVE'	1
N.I.	MTL224	Transfer 'ON'	1
N.I.	MTL225	Transfer 'OFF'	1
40	MTL226	Plastic beading, above rear lamp	1
—	BZM850	Dual seat complete	1
46	MMB175	Bolt, dual seat mounting	4
47	MMW243	Plain washer, dual seat mounting bolt	4
48	MMW299	Rubber washer, dual seat mounting	12
49	MMW300	Shakeproof washer, apron securing	2
50	MTL228	'Bianchi licence' plate	1
51	MMB223	Hammer drive screws, 'Bianchi licence' plate	2
N.I.	MTL229	Transfer 'Raleigh', front apron nose-piece	1
N.I.	MTL230	Transfer 'Raleigh', rear upper bodywork	1
N.I.	MTL231	Transfer 'Roma', front apron and rear upper bodywork	2
52	MTL232	Rear number plate	1
53	MTL233	Support, nearside, number plate	1
54	MTL234	Support, offside, number plate	1
55	MMB206	Bolt, $\frac{3}{16}$ " number plate mounting	8
56	MMW105	Plain washer $\frac{3}{16}$ ", number plate mounting	8
57	MMW233	Spring washer $\frac{3}{16}$ ", number plate mounting	4
58	MMN217	'Nyloc nut', $\frac{3}{16}$ ", number plate mounting	4

N.I. = Not illustrated

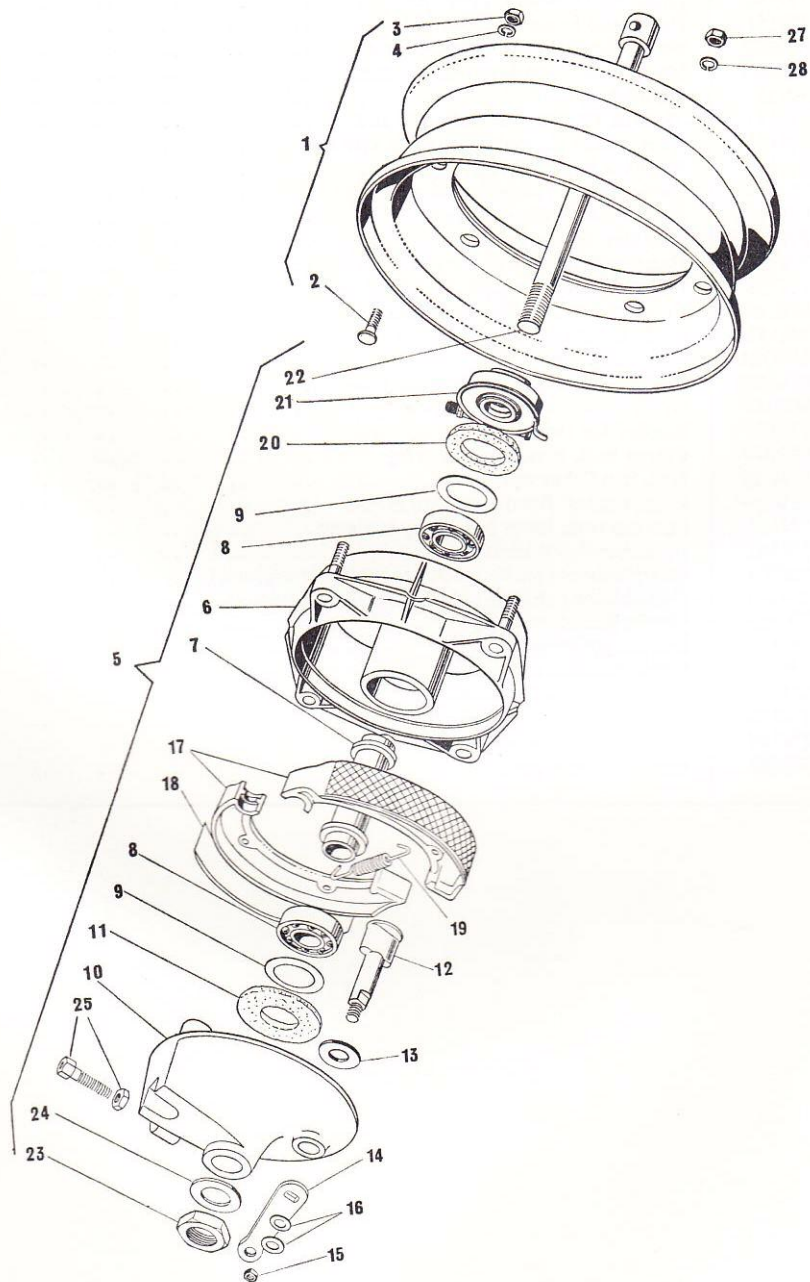


HANDLEBARS

RS.1

GROUP '11'

ILLUS. NO.	SALES NO.	DESCRIPTION	NUMBER OFF
1	MTN150	Headlamp housing, upper half	1
2	MTN151	Headlamp housing, lower half	1
3	MMB239	Screw, headlamp housing, 4.0 mm.	4
or 3	MMB240	Screw, headlamp housing, 5.0 mm.	4
4	MTN152	Handlebar, bare	1
5	MTN153	Throttle twistgrip, offside, c/w rod	1
6	MTN154	Gearchange twistgrip, nearside, c/w rod	1
7	MTN155	Bush for twistgrip rod	2
8	MTN156	Cable pulley, twistgrip rod	2
9	MMW198	Plain washer, twistgrip rod	2
10	MTN157	Split pin, twistgrip rod	2
11	MTN158	Handlebar lever, front brake	1
12	MTN158	Handlebar lever, clutch	1
13	MMB241	Fulcrum screw, handlebar lever	2
14	MTN159	Bush, handlebar lever fulcrum	2
15	MMN224	Nut, handlebar lever screw	2
16	MMW309	Shakeproof washer, handlebar lever nut	2
17	MMB242	Grub screw, stop, throttle twistgrip	1
18	MTN160	Rubber for twistgrips	1 pr.
19	MMB243	Clamp bolt, handlebar securing	1
20	MMN229	Nut, handlebar clamp bolt	1
21	MMW198	Plain washer, handlebar clamp bolt	2
22	MTN161	Packing ring, lower headlamp housing	1
23	MTN162	Plug, headlamp housing aperture	2
24	MTN163	Gearchange cable complete, short (front adjuster)	1
25	MTN164	Gearchange cable complete, long (rear adjuster)	1
26	MTN165	Inner cable, gearchange	2
27	MTN143	Ferrule, gearchange cable	2
28	MTN167	Cable adjuster c/w nut, gearchange	2
29	MMN167	Nut, gearchange cable adjuster	2
30	MTN168	Cable abutment, gearbox end	2
31	MTN149	Solderless nipple, gearchange cable	2
32	MTN169	Gear indicator plate	1

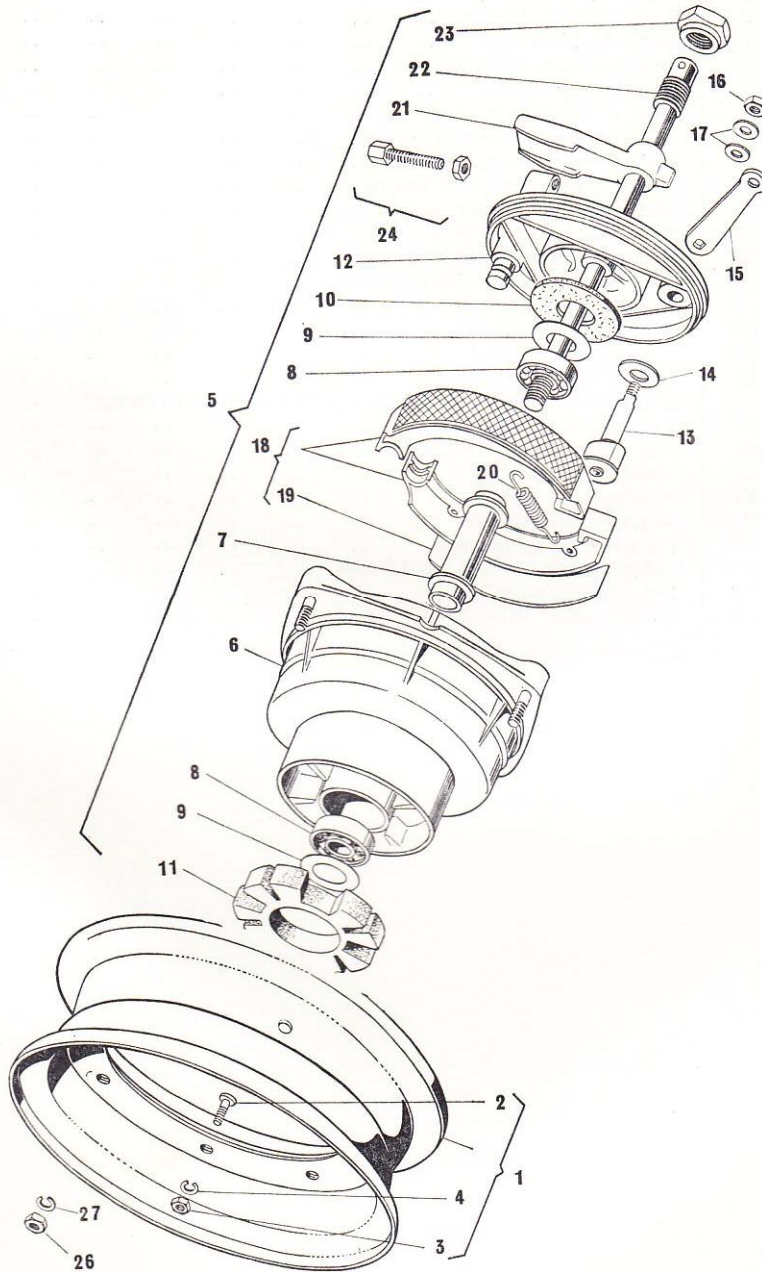


FRONT WHEEL & HUB

RS.1

GROUP 'J1'

ILLUS. NO.	SALES NO.	DESCRIPTION	NUMBER OFF
1	MTK206	Wheel rim complete, less tyre and tube	1
2	MTK207	Stud, wheel-half fixing	4
3	MMN211	Nut, wheel-half stud	4
4	MMW199	Spring washer, wheel-half nut	4
5	MTK208	Front hub, complete	1
6	MTK209	Shell, front hub, c/w studs	1
7	MTK210	Distance piece, front hub bearings	1
8	MTK211	Ball journal bearing, front hub	2
9	MMW282	Shield washer, front hub bearing	2
10	MTK212	Back plate, front brake	1
11	MMW283	Felt washer, back plate	1
12	MTK213	Cam and spindle, front brake	1
13	MMW284	Spacing washer, front brake cam	2
14	MTK214	Lever, front brake cam	1
15	MMN212	Nut, brake cam spindle	1
16	MMW198	Plain washer, cam spindle nut	2
17	MTK215	Brake shoes c/w linings	1 pr.
18		Brake linings (Not available, see Group U, Service Exchange)	
19	MTK217	Return spring, brake shoe	2
20	MTK218	Felt seal, speedo drive gearbox	1
21	MTK219	Speedo drive gearbox	1
22	MTK220	Spindle, front hub	1
23	MMN213	Nut, front hub spindle	1
24	MMW285	Plain washer, spindle nut	1
25	MTK221	Cable adjuster c/w nut, front brake	1
27	MMN214	Nut, securing wheel to hub	4
28	MMW199	Spring washer, wheel to hub nut	4



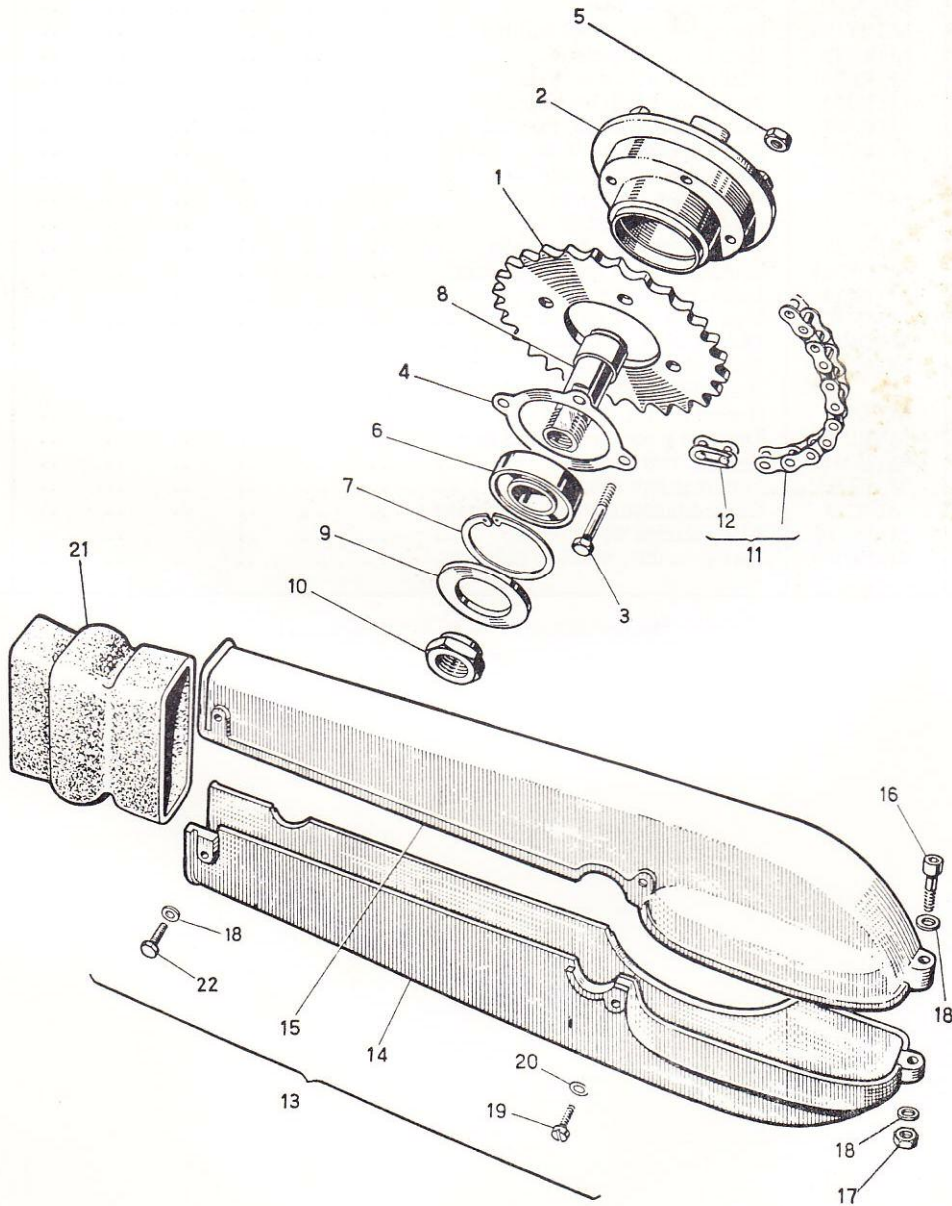
REAR WHEEL AND HUB

RS.1

GROUP 'K1'

ILLUS. NO.	SALES NO.	DESCRIPTION	NUMBER OFF
1	MTK206	Wheel rim complete, less tyre and tube	1
2	MTK207	Stud, wheel-half fixing	4
3	MMN211	Nut, wheel-half stud	4
4	MMW199	Spring washer, wheel-half nut	4
*5	MTK232	Rear hub, complete	1
6	MTK224	Shell, rear hub, c/w studs	1
7	MTK226	Spacer, rear hub bearings	1
8	MTK227	Ball journal bearing, rear hub	2
9	MMW286	Shield washer, rear hub bearing	2
10	MMW287	Felt washer, rear backplate	1
11	MTK228	Rubber for cush drive	1
12	MTK229	Rear brake backplate	1
13	MTK213	Cam and spindle, rear brake	1
14	MMW284	Spacing washer, rear brake cam	1
15	MTK214	Lever, rear brake cam	1
16	MMN212	Nut, brake cam spindle	1
17	MMW198	Plain washer, cam spindle nut	Varies
18	MTK215	Brake shoes, c/w linings	1 pr.
19		Brake linings (Not available, see Group U, Service Exchange)	
20	MTK217	Return spring, brake shoe	2
21	MTK230	Distance piece, rear hub to fork	1
22	MTK231	Spindle, rear hub	1
23	MMN215	Nut, rear hub spindle	1
24	MTK221	Cable adjuster c/w nut, rear brake	1
26	MMN214	Nut, securing wheel to hub	4
27	MMW199	Spring washer, wheel to hub nut	4

*Including Parts 1 to 10 from Group L.1

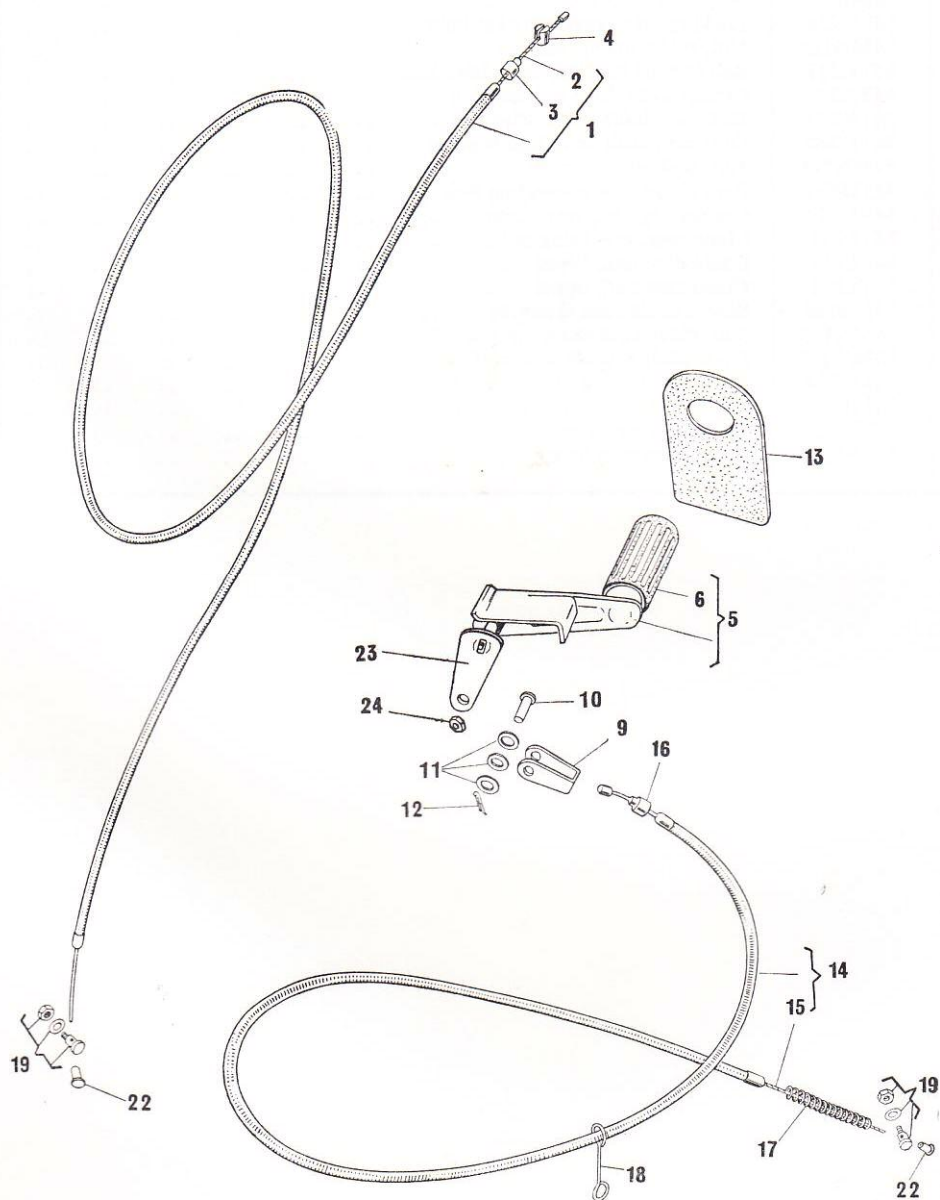


FINAL DRIVE

RS.1

GROUP 'L1'

ILLUS. NO.	SALES NO.	DESCRIPTION	NUMBER OFF
1	MTK233	Sprocket, rear wheel	1
2	MTK235	Cush drive hub, c/w rubber	1
3	MMB202	Bolt, rear sprocket	4
4	MTK236	Locking plate, rear sprocket bolts	1
5	MMN158	Nut, rear sprocket bolt	4
6	MTK237	Ball journal bearing, cush drive hub	1
7	MTK238	Circlip, cush drive hub bearing	1
8	MTK239	Hollow spindle, cush drive hub	1
9	MTK240	Dust cap, cush drive hub bearing	1
10	MMN215	Nut, cush drive spindle	1
11	MTD236	Rear chain, c/w connecting link	1
12	MTD237	Connecting link, rear chain	1
13	MTL249	Chain case, c/w fixing bolts	1
14	MTL247	Chain case half, lower	1
15	MTL248	Chain case half, upper	1
16	MMB226	Screw, chain case clamping	1
17	MMN158	Nut, chain case clamping screw	1
18	MMW187	Plain washer, chain case screw	4
19	MMB227	Screw, chain case fixing	2
20	MMW302	Plain washer, chain case fixing screw	2
21	MTL251	Rubber gaiter, chain case	1
22	MMB228	Bolt, chain case fixing	2



BRAKE CONTROL CABLES

RS.1

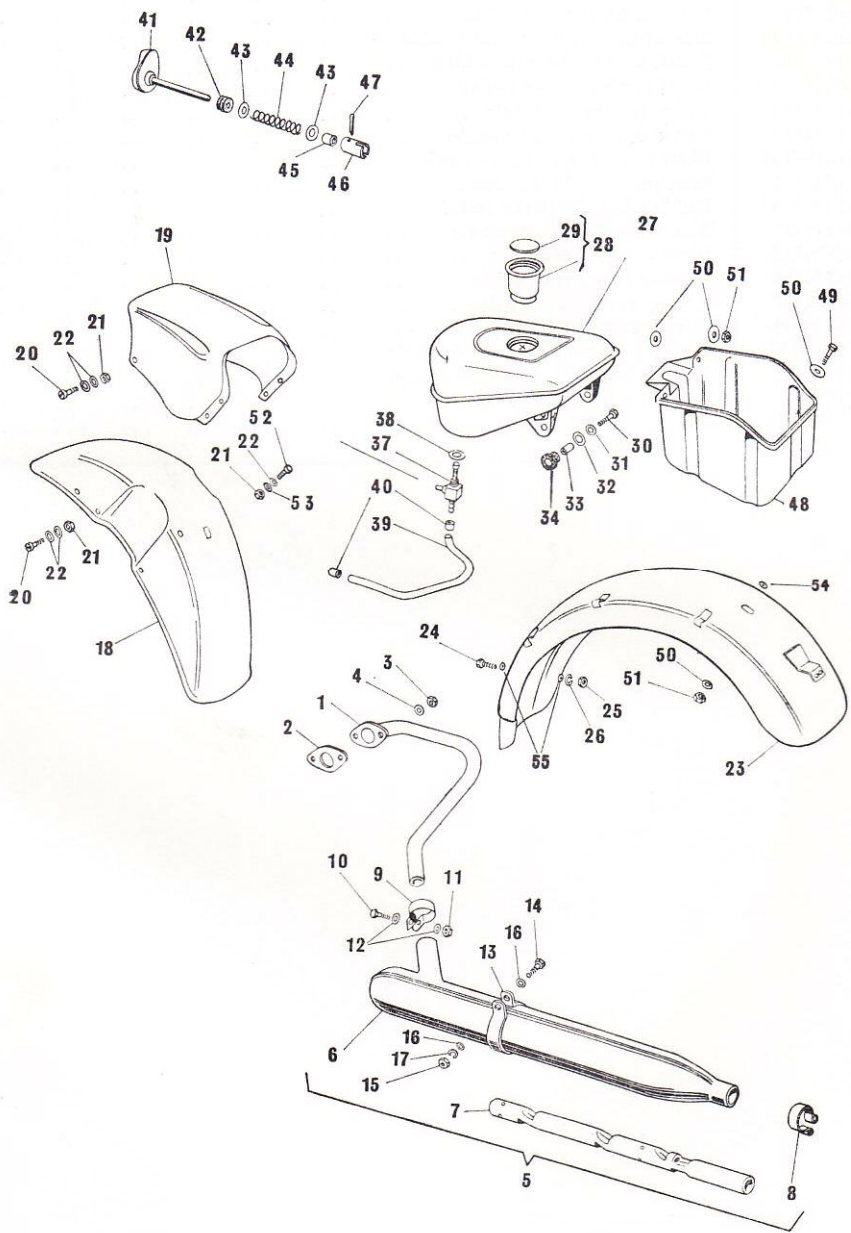
GROUP 'M1'

ILLUS. NO.	SALES NO.	DESCRIPTION	NUMBER OFF
1	MTN177	Front brake cable, complete	1
2	MTN178	Inner cable, front brake	1
3	MTN143	Ferrule, front brake cable	1
4	MTN144	Slotted nipple, front brake cable	1
5	MTN181	Pedal, rear brake, c/w rubber	1
6	MTN182	Pedal rubber, brake pedal	1
9	MTN184	Yoke, rear brake cable	1
10	MTN183	Clevis pin, rear brake cable	1
11	MMW187	Plain washer, rear brake clevis	3
12	MTN185	Split pin, rear brake clevis	1
13	MTN186	Rubber flap for brake pedal	1
14	MTN187	Rear brake cable, complete	1
15	MTN188	Inner cable, rear brake	1
16	MTN189	Ferrule, rear brake cable	1
17	MTN190	Spring, rear brake cable	1
18	MTN191	Clip, rear brake cable	1
19	MMP153	Clamp bolt complete, brake cable	2
22	MTN192	Rubber terminal, rear brake cable	2
23	MTN193	Lever, footbrake pedal	1
24	MMN158	Nut, rear brake pedal	1

MUDGUARDS, TANK AND SILENCER

RS.1

GROUP 'N1'



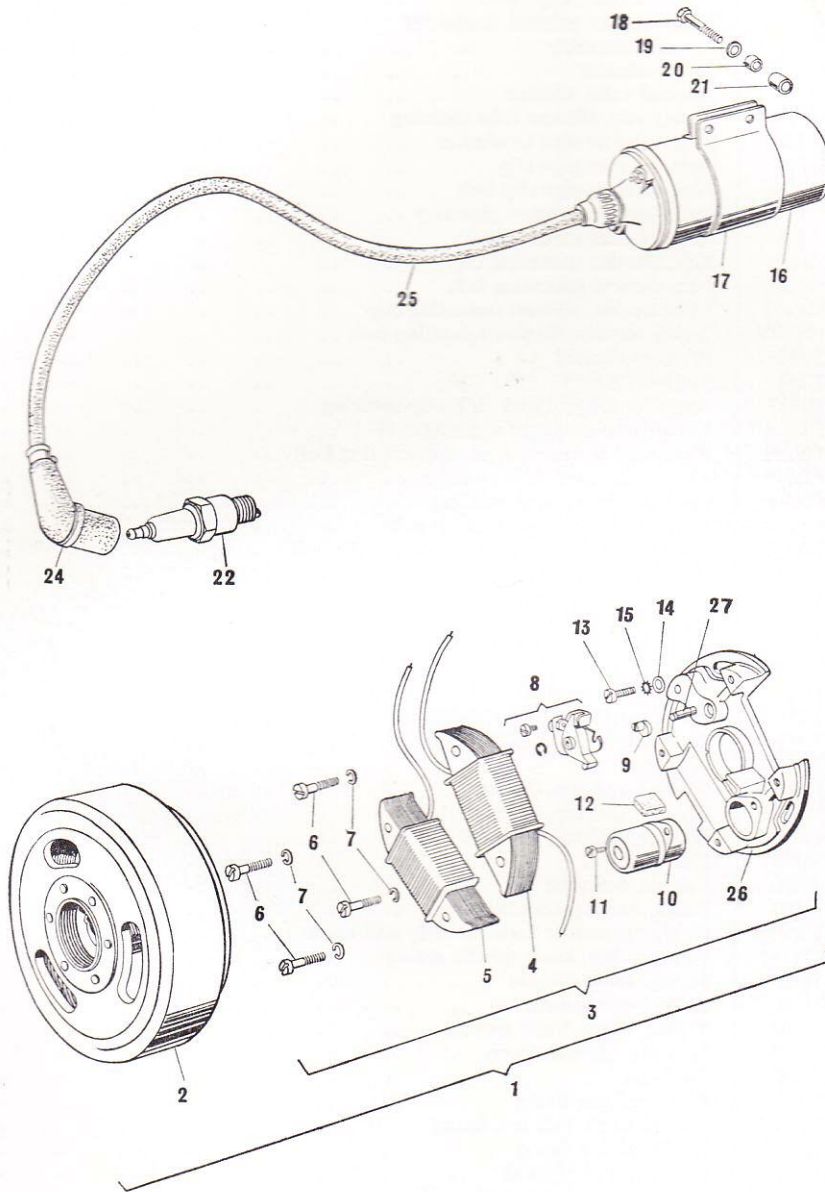
MUDGUARDS, TANK AND SILENCER

RS.1

GROUP 'N1'

ILLUS. NO.	SALES NO.	DESCRIPTION	NUMBER OFF
1	MTA223	Exhaust pipe	1
*2	MTA224	Gasket, exhaust pipe flange	1
3	MMN155	Nut, exhaust flange stud	2
4	MMW187	Plain washer, exhaust flange nut	2
5	MTA225	Silencer assembly	1
6	MTA226	Body, silencer	1
7	MTA227	Internal tube, silencer	1
8	MTA228	Spring clip, silencer tube securing	1
9	MTA229	Clip, exhaust pipe to silencer	1
10	MMB158	Bolt, exhaust pipe clip	1
11	MMN158	Nut, exhaust pipe clip bolt	1
12	MMW187	Plain washer, exhaust pipe clip	2
13	MTA230	Clip, silencer mounting	1
14	MMB159	Bolt, silencer mounting clip	1
15	MMN158	Nut, silencer mounting bolt	1
16	MMW191	Plain washer, silencer mounting clip	2
17	MMW192	Spring washer, silencer mounting bolt	1
18	MTL252	Front mudguard	1
19	MTL261	Front air scoop	1
20	MMB227	Screw, mudguard and air scoop securing	8
21	MMN224	Nut, front mudguard securing bolt	8
22	MMW295	Plain washer, front mudguard securing bolt	16
23	MTL254	Rear mudguard	1
24	MMB176	Bolt, rear mudguard securing	4
25	MMN158	Nut, rear mudguard securing bolt	2
26	MMW192	Spring washer, rear mudguard securing bolt	2
27	MTL255	Fuel tank	1
28	MTL256	Filler cap, fuel tank	1
29	MTL257	Metal plate, filler cap	1
30	MMB229	Bolt, fuel tank mounting	3
31	MMW303	Plain washer, fuel tank mounting bolt	3
32	MMW299	Rubber washer, fuel tank mounting	3
33	MTL258	Sleeve, fuel tank mounting bolt	3
34	MTL259	Rubber bush, fuel tank mounting	3
37	MTH198	Fuel tap	1
38	MMW259	Washer, fuel tap, 0.5 mm.	1
38	MMW260	Washer, fuel tap, 0.7 mm.	1
38	MMW261	Washer, fuel tap, 0.9 mm.	1
39	MTH199	Fuel pipe	1
40	MTH200	Ferrule, fuel pipe	2
41	MTH201	Knob, fuel tap operating	1
42	MTH202	Rubber grommet between body and knob	1
43	MMW187	Plain washer, knob spindle spring	2
44	MTH203	Spring, knob spindle	1
45	MTH204	Bush, knob spindle	1
46	MTH205	Slotted sleeve, knob spindle	1
47	MTH206	Split pin, slotted sleeve	1
48	MTL260	Tool box	1
49	MMB176	Bolt, tool box fixing	1
50	MMW304	Plain washer, tool box fixing	6
51	MMN155	Nut, tool box fixing	3
52	MMB230	Bolt, front mudguard	1
53	MMW183	Plain washer, front mudguard	1
54	MMW297	Rubber washer, tool box fixing	1
55	MMW187	Plain washer, rear mudguard	4

*For complete set of gaskets and oil seals, see Group R.



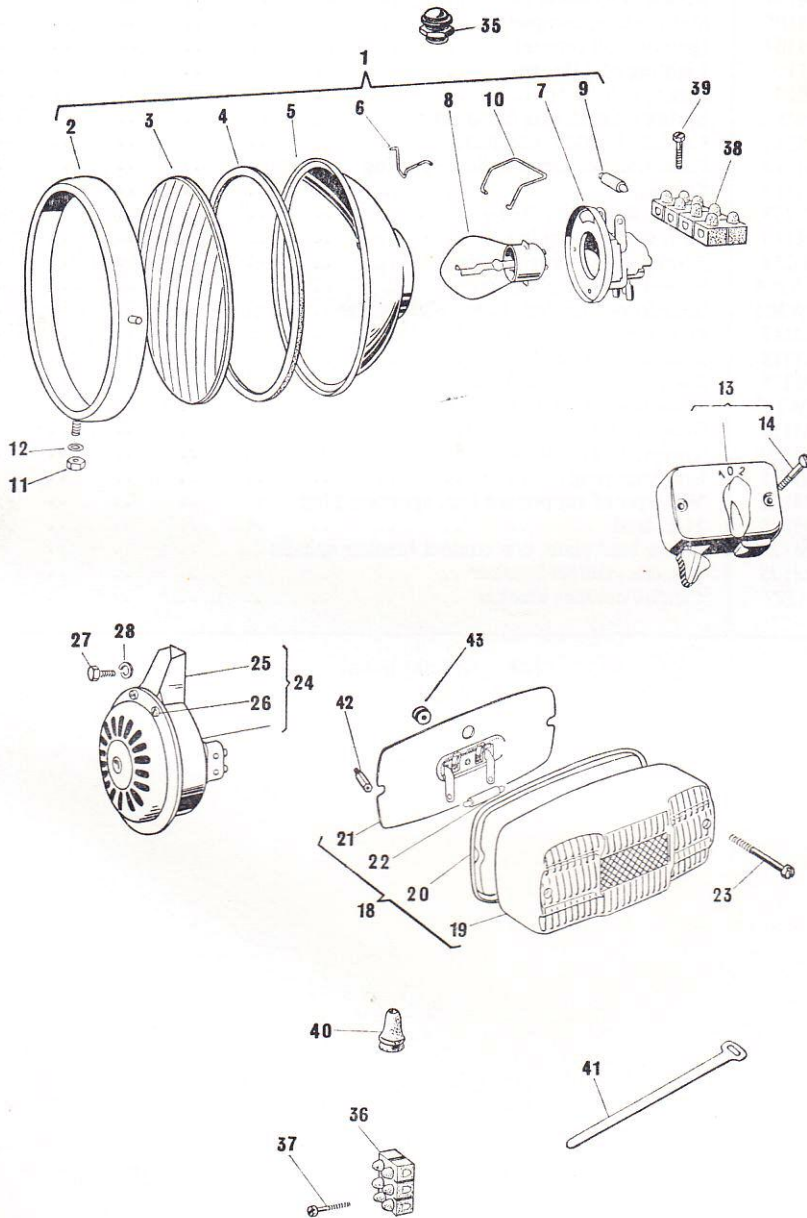
FLYWHEEL MAGNETO-ALTERNATOR

RS.1

GROUP '01'

ILLUS. NO.	SALES NO.	DESCRIPTION	NUMBER OFF
1	MTM160	Magneto flywheel and stator, complete.. .. .	1
2	MTM161	Magneto flywheel	1
3	MTM105	Stator plate, complete	1
4	MTM107	Ignition coil (upper)	1
5	MTM109	Lighting coil (lower)	1
6	MMB231	Screw, coil fixing	4
7	MMW318	Spring washer, coil fixing screw	4
8	MTM111	Contact breaker, complete	1
9	MTM113	Eccentric, contact breaker adjusting	1
10	MTM115	Condenser	1
11	MMB233	Screw, condenser fixing	1
12	MTM116	Felt, cam lubricating	1
13	MMB234	Screw, stator plate securing	3
14	MMW306	Washer, stator plate screw	3
15	MMW305	Shakeproof washer, stator plate screw	3
16	MTM117	H.T. coil	1
17	MTM118	Bracket, H.T. coil	1
18	MMB235	Bolt, H.T. coil attachment	2
19	MMW187	Plain washer, H.T. coil bolt	2
20	MTM119	Spacer, H.T. coil bracket, 4 mm. long	2
21	MTM120	Spacer, H.T. coil mounting, 10 mm. long	2
22	MTM121	Sparking plug	1
24	MTM122	Waterproof suppressor cap, sparking plug	1
25	MTM123	H.T. lead	1
26	MTM124	Stator backplate, c/w contact breaker spindle	1
27	MTM125	Spindle, contact breaker	1
N.I.	MTA277	Circlip, contact breaker	1

N.I.=Not illustrated



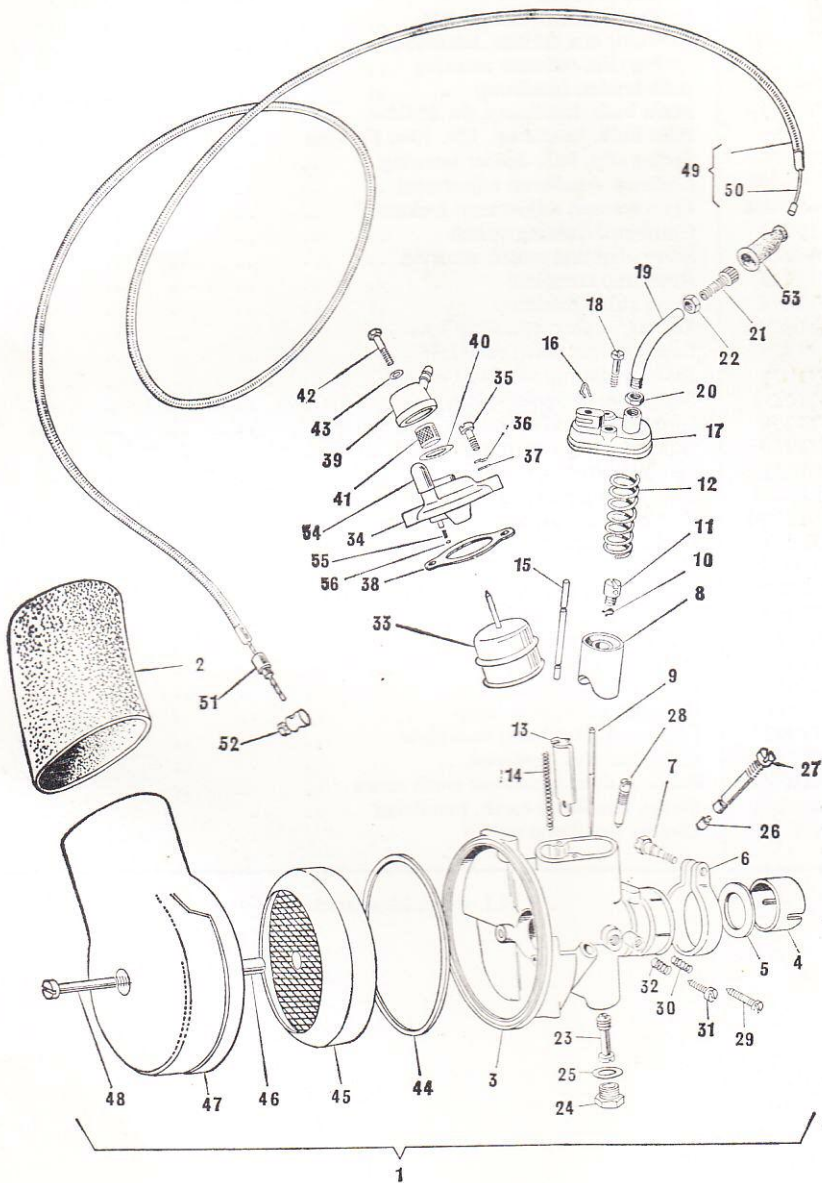
LIGHTING AND HORN

RS.1

GROUP 'P1'

ILLUS. NO.	SALES NO.	DESCRIPTION	NUMBER OFF
1	MTP164	Front headlamp, complete	1
2	MTP165	Rim, headlamp	1
3	MTP166	Glass, headlamp	1
4	MTP167	Sealing ring, headlamp glass	1
5	MTP168	Reflector c/w springs, headlamp	1
6	MTP169	Spring clip, reflector securing	6
7	MTP170	Bulb holder, headlamp	1
8	MTP171	Main bulb, headlamp, 6v. 25/25w.	1
9	MTP172	Pilot bulb, headlamp, 12v. 10w. Festoon	1
10	MTP173	Spring clip, bulb holder securing	1
11	MMN235	Locknut, headlamp adjustment	1
12	MMW306	Plain washer, adjustment locknut	1
13	MTP174	Combined lighting switch	1
14	MMB251	Screw, lighting switch securing	2
18	MTP175	Rearlamp complete	1
19	MTP176	Lens, ruby, rearlamp	1
20	MMW316	Sealing washer, rearlamp lens	1
21	MTP177	Lamp holder plate, rearlamp	1
22	MTP178	Bulb, rearlamp, 6v. 5w. Festoon	1
23	MMB252	Screw, rearlamp lens fixing	2
24	MTP179	Electric horn, c/w bracket	1
25	MTP180	Bracket, horn mounting	1
26	MMB253	Screw, horn to bracket	2
27	MMB228	Bolt, horn mounting	1
28	MMW192	Spring washer, horn mounting bolt	1
35	MTP181	Green indicator light, complete	1
36	MTP183	Flexible terminal block	1
37	MMB255	Self-tapping screw, terminal block fixing	1
38	MTP182	Flexible terminal block	1
39	MMB254	Screw, terminal block fixing	2
40	MTP184	Rubber grommet	1
41	MTP185	Cable clip	5
42	MTP186	Distance piece, rear lamp	2
43	MTP187	Grommet, rear lamp backplate	1
N.I.	MTP188	Cable harness, complete	1
N.I.	MMW317	Plain washer, handlebar earth screw	1
N.I.	MMB246	Screw, headlamp earth, handlebar	1
N.I.	MTA278	Circlip, headlamp switch	1

N.I. = Not illustrated

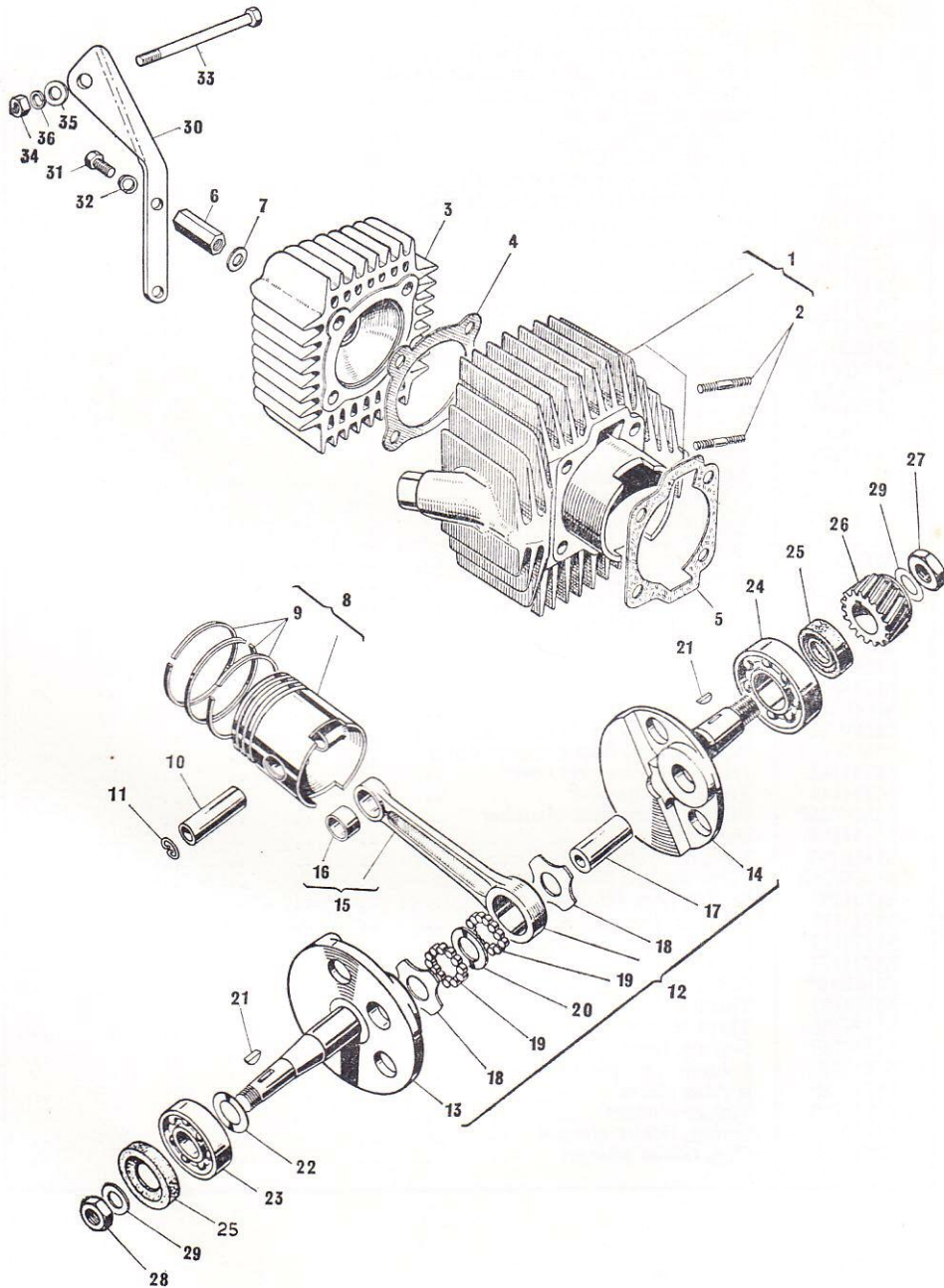


CARBURETTOR

RS.1

GROUP 'Q1'

ILLUS. NO.	SALES NO.	DESCRIPTION	NUMBER OFF
1	MTH157	Carburettor, c/w cable and air filter	1
2	MTH189	Air hose, carburettor	1
3	MTH158	Carburettor body	1
4	MTH159	Fibre sleeve, carburettor stub	1
5	MMW253	Fibre spacing washer, carburettor stub	1
6	MTH160	Clamp ring, carburettor stub	1
7	MMB183	Screw, clamp ring	1
8	MTH161	Throttle slide	1
9	MTH162	Taper needle "G"	1
10	MTH163	Spring clip, carburettor needle	1
11	MTH164	Cable nipple retainer, throttle slide	1
12	MTH165	Return spring, throttle slide	1
13	MTH166	Strangler shutter	1
14	MTH167	Return spring, strangler shutter	1
15	MTH168	Operating plunger, strangler shutter	1
16	MTH169	Spring clip, strangler plunger	1
17	MTH170	Cover, mixing chamber	1
18	MMB184	Screw, mixing chamber cover	2
19	MTH171	Guide tube, throttle cable	1
20	MMN184	Locknut, guide tube	1
21	MTH172	Adjuster, throttle cable	1
22	MMN185	Locknut, throttle cable adjuster	1
23	MTH173	Needle jet	1
24	MTH174	Access plug, needle jet	1
25	MMW254	Fibre washer, access plug	1
26	MTH175	Main jet	1
27	MTH176	Holder, main jet	1
28	MTH177	Pilot jet	1
29	MMB185	Screw, pilot air	1
30	MTH178	Spring, pilot air screw	1
31	MMB186	Screw, throttle stop	1
32	MTH179	Spring, throttle stop screw	1
33	MTH180	Float	1
34	MTH181	Cover, float chamber	1
35	MMB187	Screw, float chamber cover	2
36	MMW255	Spring washer, float chamber cover	2
37	MMW256	Plain washer, float chamber cover	2
38	MTH182	Joint, float chamber cover	1
39	MTH183	Fuel filter chamber	1
40	MMW257	Fibre washer, filter chamber	1
41	MTH184	Fuel filter	1
42	MMB188	Bolt, filter chamber	1
43	MMW258	Fibre washer, filter chamber bolt	1
44	MTH185	Sealing ring, air filter	1
45	MTH186	Air filter element	1
46	MTH187	Spacer tube, air filter	1
47	MTH193	Air filter body	1
48	MMB189	Screw, air filter body	1
49	MTN197	Throttle cable, complete	1
50	MTN198	Throttle inner cable	1
51	MTN143	Ferrule, throttle cable	1
52	MTN149	Solderless nipple, throttle cable	1
53	MTH188	Rubber sleeve	1
54	MTH190	Tickler plunger	1
55	MTH191	Spring, tickler plunger	1
56	MTH192	Clip, tickler plunger	1



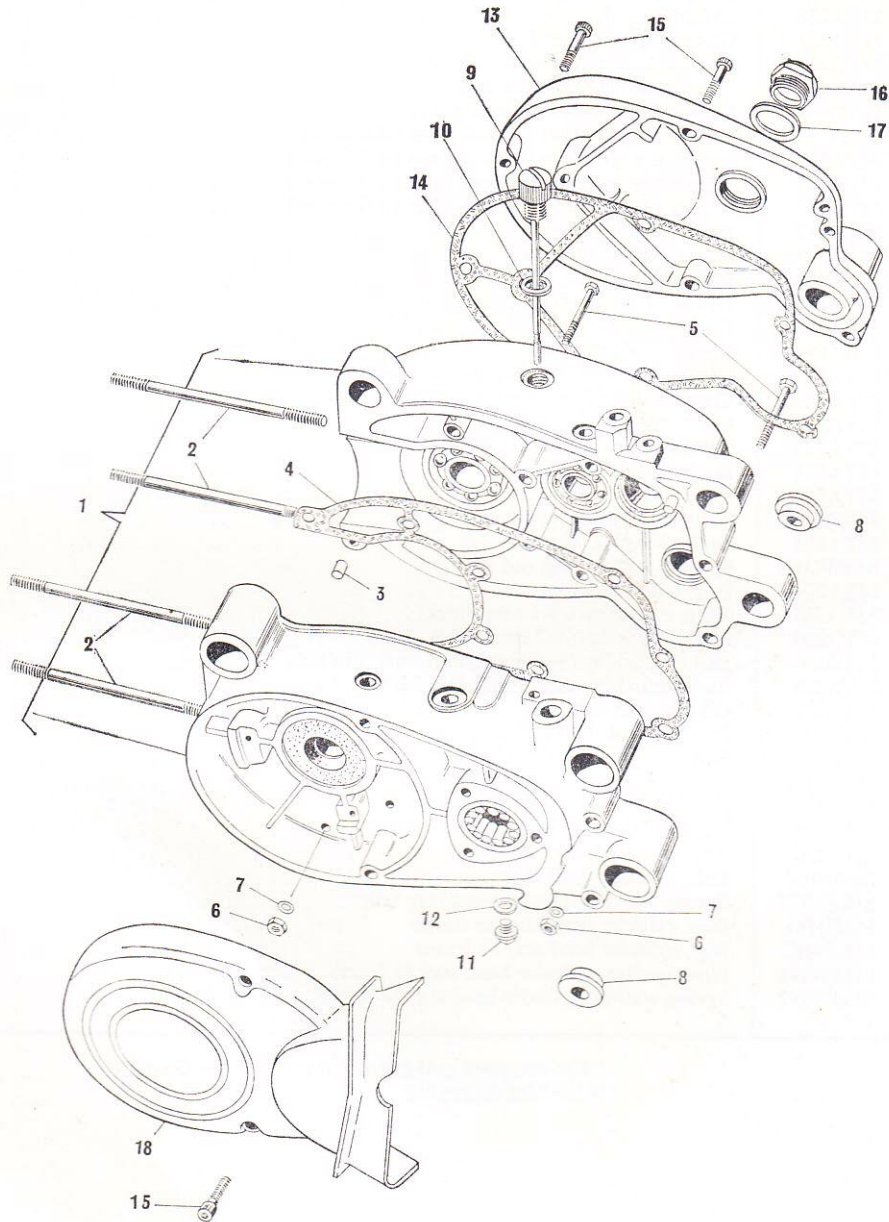
ILLUS. NO.	SALES NO.	DESCRIPTION	NUMBER OFF
1	MTA231	Cylinder, c/w exhaust flange studs	1
2	MTA182	Stud, exhaust flange	2
3	MTA232	Cylinder head	1
* 4	MTA233	Gasket, cylinder head	1
* 5	MTA234	Joint, cylinder/crankcase	1
6	MMN159	Sleeve nut, cylinder head	4
7	MMW193	Plain washer, cylinder head nut	4
8	MTA235	Piston, c/w gudgeon pin and rings (standard)	1
8	MTA236	Piston, c/w gudgeon pin and rings (+0.2 mm.)	1
8	MTA237	Piston, c/w gudgeon pin and rings (+0.4 mm.)	1
8	MTA238	Piston, c/w gudgeon pin and rings (+0.6 mm.)	1
9	MTA190	Piston ring (standard)	3
9	MTA191	Piston ring (+0.2 mm.)	3
9	MTA192	Piston ring (+0.4 mm.)	3
9	MTA193	Piston ring (+0.6 mm.)	3
10	MTA194	Gudgeon pin	1
11	MTA195	Circlip, gudgeon pin	2
12	MTA239	Crankshaft assembly, c/w connecting rod	1
13	MTA240	Crankshaft half, magneto side	1
14	MTA241	Crankshaft half, drive side	1
15	MTA242	Connecting rod c/w small end bush	1
16	MTA243	Bush, small end	1
17	MTA244	Crankpin	1
18	MMW194	Scalloped washer, crankpin	2
19	MTA202	Roller bearing, big end	32
20	MMW195	Spacing washer, big end rollers	1
21	MTA204	Key, crankshaft	2
22	MTA205	Shim, crankshaft, 0.1 mm. thick	varies
22	MTA206	Shim, crankshaft 0.2 mm. thick	varies
23	MTA207	Ball journal bearing, crankshaft, magneto side	1
24	MTA208	Ball journal bearing, crankshaft, drive side	1
*25	MTA276	Oil seal, crankshaft	2
26	MTA210	Pinion, crankshaft	1
27	MMN160	Nut, crankshaft, drive side	1
28	MMN161	Nut, crankshaft, magneto side	1
29	MMW196	Plain washer, crankshaft nut	2
N.I.	MTA246	Stay, cylinder head, right hand	1
30	MTA247	Stay, cylinder head, left hand	1
31	MMB160	Bolt, cylinder head stay	4
32	MMW197	Spring washer, cylinder head stay bolt	4
33	MMB161	Bolt, cylinder head stay to frame	1
34	MMN162	Nut, cylinder head stay to frame	1
35	MMW198	Plain washer, cylinder head stay to frame	1
36	MMW199	Spring washer, cylinder head stay to frame	1

* For complete gasket and oil seal sets see Group R
N.I. = Not illustrated

CRANKCASE

RS.2 & 3

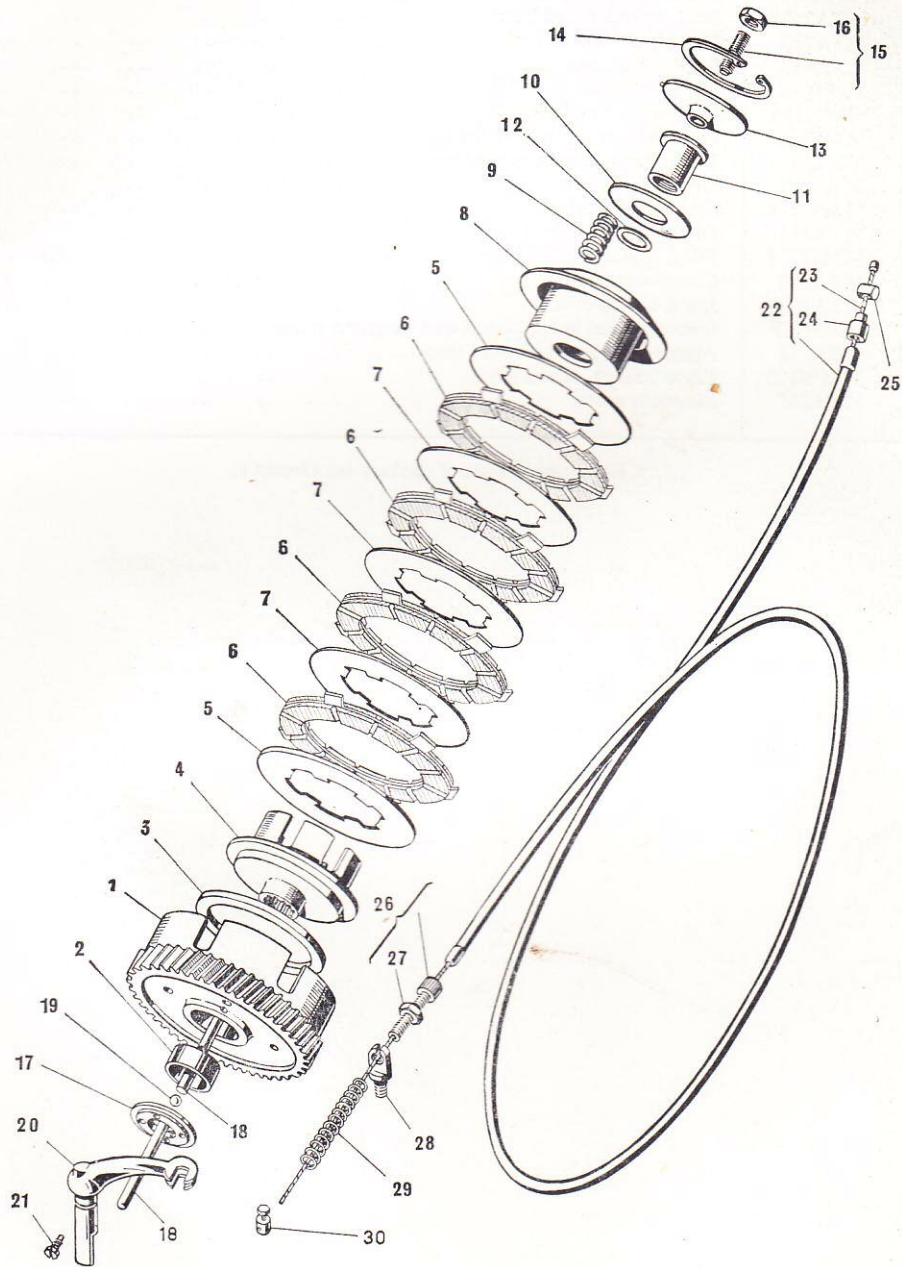
GROUP 'B2'



CRANKCASE**RS.2 & 3****GROUP 'B2'**

ILLUS. NO.	SALES NO.	DESCRIPTION	NUMBER OFF
1	MTA248	Crankcase, complete with bearings	1
2	MTA249	Stud, cylinder and head	4
3	MTA213	Dowel, crankcase	4
*4	MTA250	Joint, crankcase	1
5	MMB162	Bolt, crankcase	10
6	MMN155	Nut, crankcase bolt	10
7	MMW187	Plain washer, crankcase bolt	10
8	MTA251	Metal bush, engine mountings	6
9	MTA217	Dipstick, oil level	1
*10	MMW188	Fibre washer, dipstick	1
11	MTA218	Drain plug, gearbox	1
*12	MMW189	Fibre washer, drain plug	1
13	MTA252	Clutch cover	1
*14	MTA253	Joint, clutch cover	1
15	MMB163	Screw, socket head, clutch and magneto cover	7
16	MTA254	Access plug and kickstart stop	1
*17	MMW190	Fibre washer, access plug	1
18	MTA255	Magneto cover	1

* For complete set of gaskets see Group R

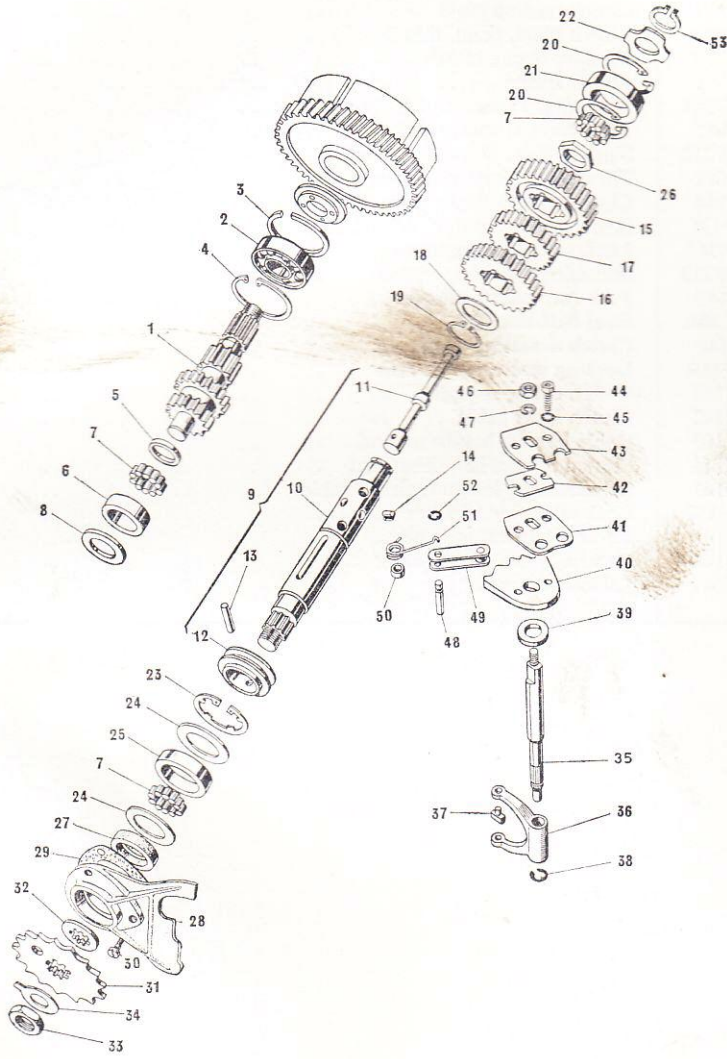


CLUTCH

RS.2 & 3

GROUP 'C2'

ILLUS. NO.	SALES NO.	DESCRIPTION	NUMBER OFF
1	MTB133	Clutch, gear	1
2	MTB134	Bush, clutch gear	1
3	MTB147	Thrust ring, clutch	1
4	MTB148	Clutch hub	1
5	MTB137	Clutch plate, plain, thick	2
6	MTB149	Clutch friction plate	4
7	MTB150	Clutch plate, plain, thin	3
8	MTB140	Pressure drum, clutch	1
9	MTB151	Clutch spring	6
10	MMW211	Retaining washer, clutch spring	1
11	MTB142	Threaded sleeve, clutch hub	1
12	MMW212	Shim washer, threaded sleeve	Varies
13	MTB143	Thrust plate, clutch release	1
14	MTB144	Circlip, clutch thrust plate	1
15	MMP131	Screw and locknut, clutch adjuster	1
16	MMN167	Locknut, adjusting screw	1
17	MMW213	Shouldered spacing washer	1
18	MTB145	Push rod, clutch release	2
19	MML104	Steel ball, dia. $\frac{3}{16}$ "	1
20	MTB146	Clutch actuating arm	1
21	MMP166	Locking screw, clutch arm	1
22	MTN141	Clutch cable, complete	1
23	MTN142	Clutch inner cable	1
24	MTN143	Cable ferrule, handlebar end	1
25	MTN144	Slotted nipple, handlebar end	1
26	MTN167	Adjuster and locknut, clutch cable	1
27	MMN167	Locknut, cable adjuster	1
28	MTN168	Cable abutment, gearbox	1
29	MTN148	Return spring, clutch cable	1
30	MTN149	Solderless nipple	1



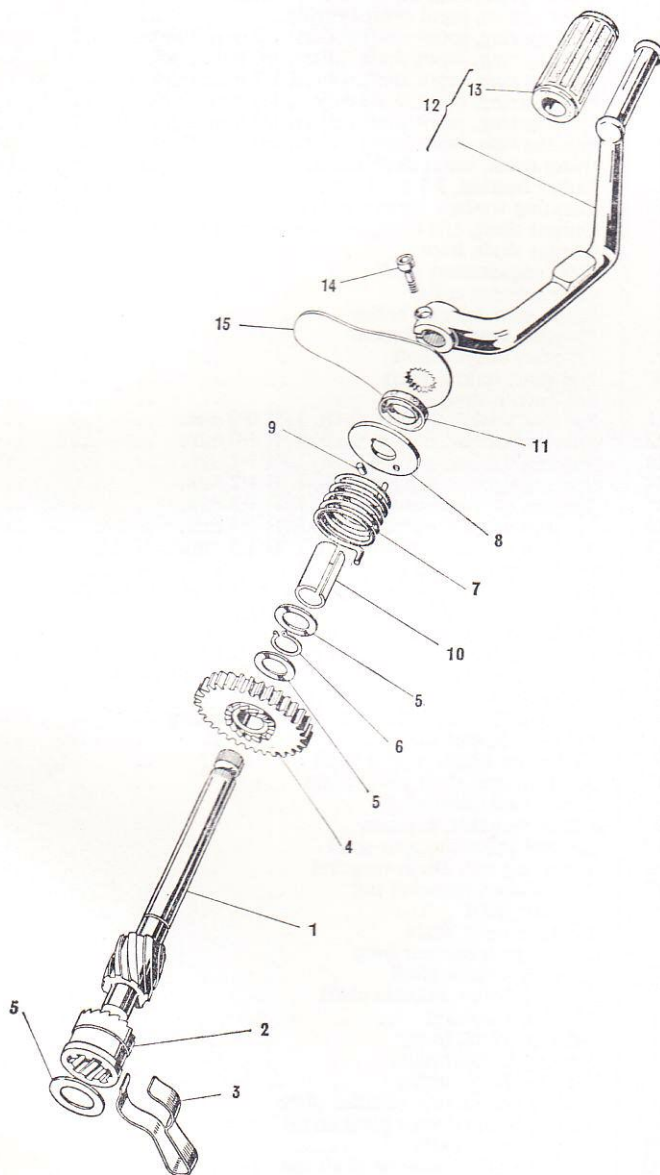
GEARBOX

RS.2 & 3

GROUP 'D2'

ILLUS. NO.	SALES NO.	DESCRIPTION	NUMBER OFF
1	MTD101	Input shaft, with integral gears	1
2	MTK211	Ball journal bearing, input shaft	1
3	MTD103	Outer spring ring, input shaft bearing	1
4	MTD104	Inner circlip, input shaft bearing	1
5	MTD105	Spacing ring, input shaft rollers, 1.5 mm. thick	1
or 5	MTD106	Spacing ring, input shaft rollers, 1.6 mm. thick	1
or 5	MTD107	Spacing ring, input shaft rollers, 1.7 mm. thick	1
or 5	MTD108	Spacing ring, input shaft rollers, 1.8 mm. thick	1
or 5	MTD109	Spacing ring, input shaft rollers, 1.9 mm. thick	1
or 5	MTD110	Spacing ring, input shaft rollers, 2.0 mm. thick	1
6	MTD111	Outer track, input shaft rollers	1
7	MTD112	Roller bearing, 3.5 x 7.5 mm.	50
8	MMW214	Locating washer, input shaft rollers	1
9	MTD147	Output shaft, c/w engagement shaft and collar	1
10	MTD148	Output shaft, bare	1
11	MTD115	Gear engagement shaft	1
12	MTD116	Gear selector collar	1
13	MTD117	Rivet, gear selector collar	1
14	MTD118	Plunger, gear engagement	9
15	MTD119	1st gear, output shaft	1
16	MTD120	2nd gear, output shaft	1
17	MTD121	3rd gear, output shaft	1
18	MMW221	Spacing washer, output shaft, L/H 0.9 mm.	1
or 18	MMW222	Spacing washer, output shaft, L/H 1.0 mm.	1
or 18	MMW223	Spacing washer, output shaft, L/H 1.1 mm.	1
or 18	MMW224	Spacing washer, output shaft, L/H 1.2 mm.	1
or 18	MMW225	Spacing washer, output shaft, L/H 1.3 mm.	1
or 18	MMW226	Spacing washer, output shaft, L/H 1.4 mm.	1
or 18	MMW227	Spacing washer, output shaft, L/H 1.5 mm.	1
19	MTD122	Circlip, gear locating	1
20	MTD149	Circlip, internal, locating output shaft R/H outer track	2
21	MTD150	Outer track, output shaft rollers, R/H side	1
22	MMW228	Scalloped washer, output shaft locating	1
23	MTD126	Circlip, internal, locating output shaft L/H outer track	1
24	MMW217	Locating washer, output shaft L/H bearing rollers	2
25	MTD127	Outer track, output shaft L/H bearing	1
26	MTD153	Hexagon spacer, R/H roller bearing locating	1
*27	MTD129	Oil seal, output shaft	1
28	MTD155	End cover plate, output shaft	1
*29	MTD131	Joint, output shaft cover plate	1
30	MMB169	Screw, end cover plate	3
31	MTD132	Chain sprocket, gearbox	1
32	MMW218	Splined spacer, output shaft	1
33	MMN168	Retaining nut, chain sprocket	1
34	MMW219	Tab washer, sprocket nut	1
35	MTD133	Selector shaft	1
36	MTD134	Fork, selector shaft	1
37	MTD135	Thrust pad, selector fork	2
38	MTD136	Circlip, selector shaft	1
39	MTD137	Spacing collar, selector shaft	1
40	MTD138	Selector quadrant	1
41	MTD139	Selector plate, lower	1
42	MTD140	Spacer, selector plate	1
43	MTD141	Selector plate, upper	1
44	MMB168	Socket head screw, selector plate	2
45	MMW220	Shakeproof, selector plate screw	2
46	MMN155	Nut, selector shaft	1
*47	MMW192	Spring washer, selector shaft nut	1
48	MTD142	Pivot pin, selector arm	1
49	MTD143	Selector arm	1
50	MTD144	Spacing collar, selector arm	1
51	MTD145	Hairpin spring, selector arm	1
52	MTD146	Circlip, selector arm locating	1
53	MTD239	Circlip output shaft locating	1

* For complete sets of gaskets and oil seals see Group R



KICK START

RS.2 & 3

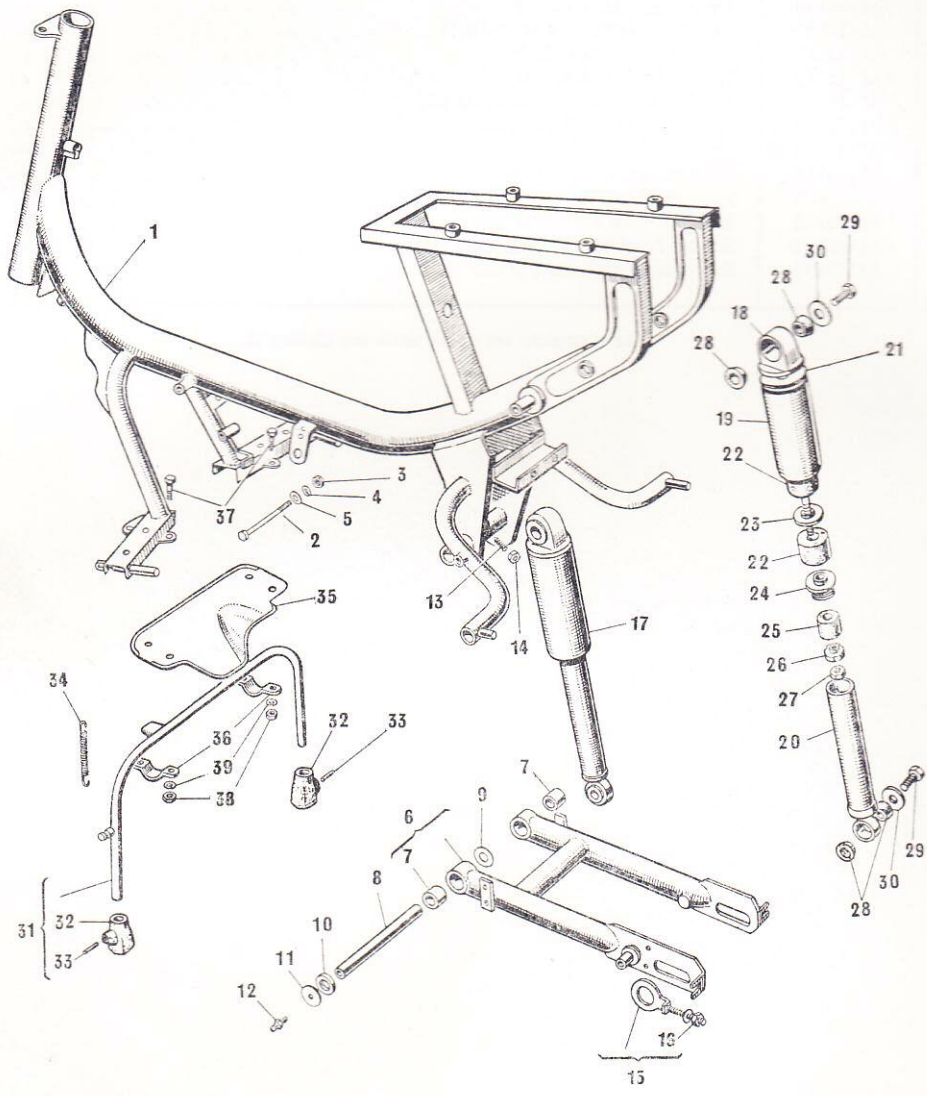
GROUP 'E2'

ILLUS. NO.	SALES NO.	DESCRIPTION	NUMBER OFF
1	MTD168	Shaft, kick start	1
2	MTD158	Ratchet, kick start	1
3	MTD159	Friction spring, kick start ratchet	1
4	MTD160	Drive gear, kick start ratchet	1
5	MMW229	Thrust washer, kick start shaft	3
6	MTD161	Circlip, kick start shaft	1
7	MTD162	Return spring, kick start	1
8	MMW230	Anchor washer, kick start spring	1
9	MTD163	Locking peg, kick start washer	1
10	MTD169	Spacing tube, kick start shaft	1
*11	MTD165	Oil seal, kick start shaft	1
12	MTD170	Kick start crank, c/w rubber	1
13	MTN182	Rubber, kick start crank	1
14	MMB170	Socket head screw, kick start crank	1
15	MTD171	Stop plate, kick start crank	1

* For complete set of oil seals see Group R

FRAME AND REAR FORK RS.2 & 3

GROUP 'F2'



FRAME AND REAR FORK RS.2 & 3

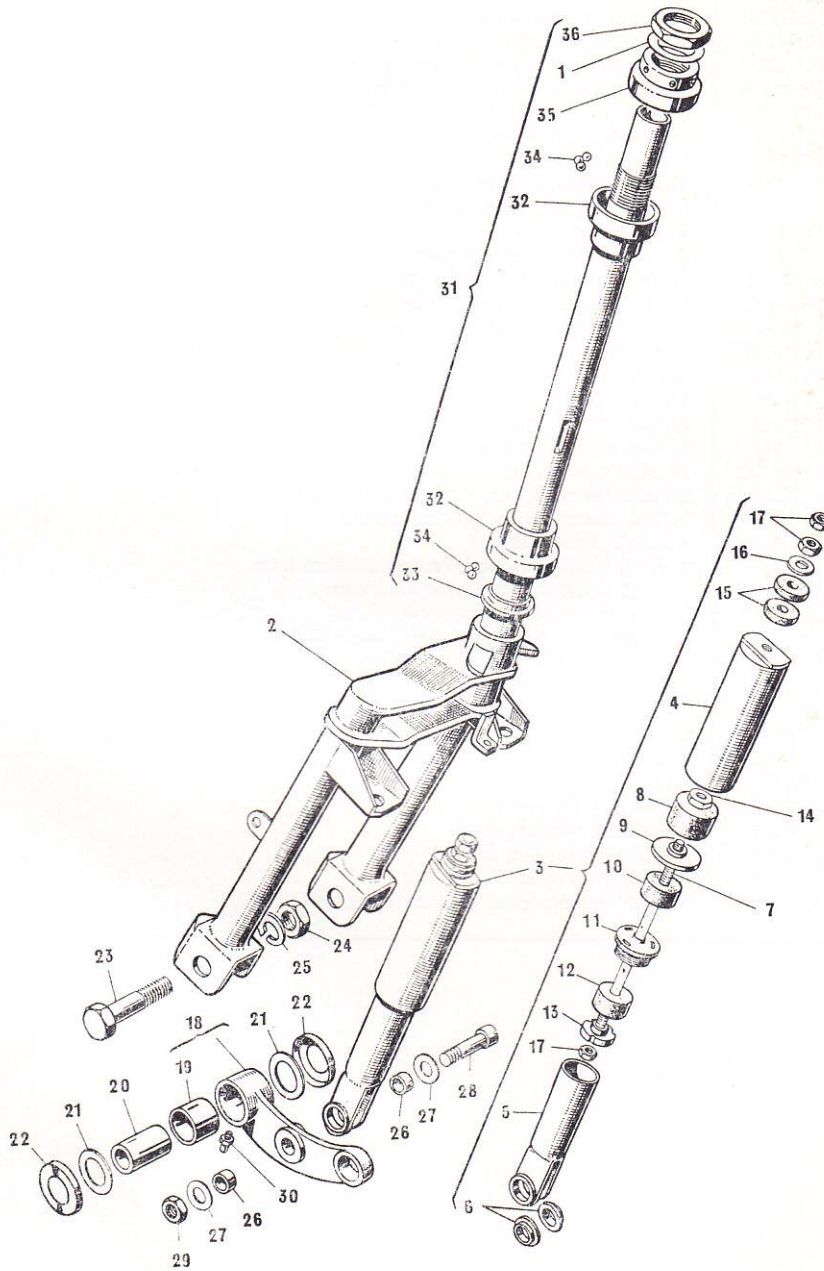
GROUP 'F2'

ILLUS. NO.	SALES NO.	DESCRIPTION	NUMBER OFF
1	MTF166	Frame	1
2	MMB173	Bolt, engine mounting	3
3	MMN176	Nut, engine mounting bolt	3
4	MMW199	Spring washer, engine mounting bolt	3
5	MMW198	Plain washer, engine mounting bolt	6
6	MTF133	Rear fork c/w pivot bushes and thrust washers	1
7	MTF134	Bush, rear fork pivot	2
8	MTF135	Pivot pin, rear fork	1
9	MMW240	Thrust washer, rear fork pivot	2
10	MMW241	Felt washer, rear fork pivot	2
11	MTF136	End cap, rear fork pivot	2
12	MTF137	Grease nipple, rear fork pivot	2
13	MMB174	Grub screw, pivot pin locating	1
14	MMN162	Locknut, pivot pin grub screw	1
15	MTF138	Chain adjuster, complete	2
16	MMN177	Nut, chain adjuster	2
17	MTF140	Rear suspension unit complete	2
18	MTF142	Upper attachment with central rod, rear suspension unit	2
19	MTF144	Upper shroud, rear suspension unit	2
20	MTF145	Lower shroud, rear suspension unit	2
21	MMW242	Rubber washer, between upper attachment and shroud	2
22	MTF147	Rubber block, upper, rear suspension unit	12
23	MTF148	Nylon spacer between rubber blocks	10
24	MTF149	End cap, lower shroud	2
25	MTF150	Rubber block, rebound, rear suspension unit	2
26	MMN178	Slotted ring nut, rear suspension unit	2
27	MMN162	Nut, rear suspension unit rod	2
28	MTF151	Rubber bush, suspension unit attachment	8
29	MMB175	Bolt, suspension unit attachment	4
30	MMW243	Spacing washer, suspension unit attachment	4
31	MTF152	Centre stand, c/w rubber feet	1
32	MTF153	Rubber foot, centre stand	2
33	MTF154	Securing pin, rubber foot	2
34	MTF155	Return spring, centre stand	1
35	MTF156	Undertray for engine	1
36	MTF161	Mounting bracket, stand	2
37	MMB176	Bolt, stand bracket fixing	4
38	MMN158	Nut, stand bracket fixing bolt	4
39	MMW192	Spring washer, stand bracket fixing bolt	4

FRONT FORK

RS.2 & 3

GROUP 'G2'

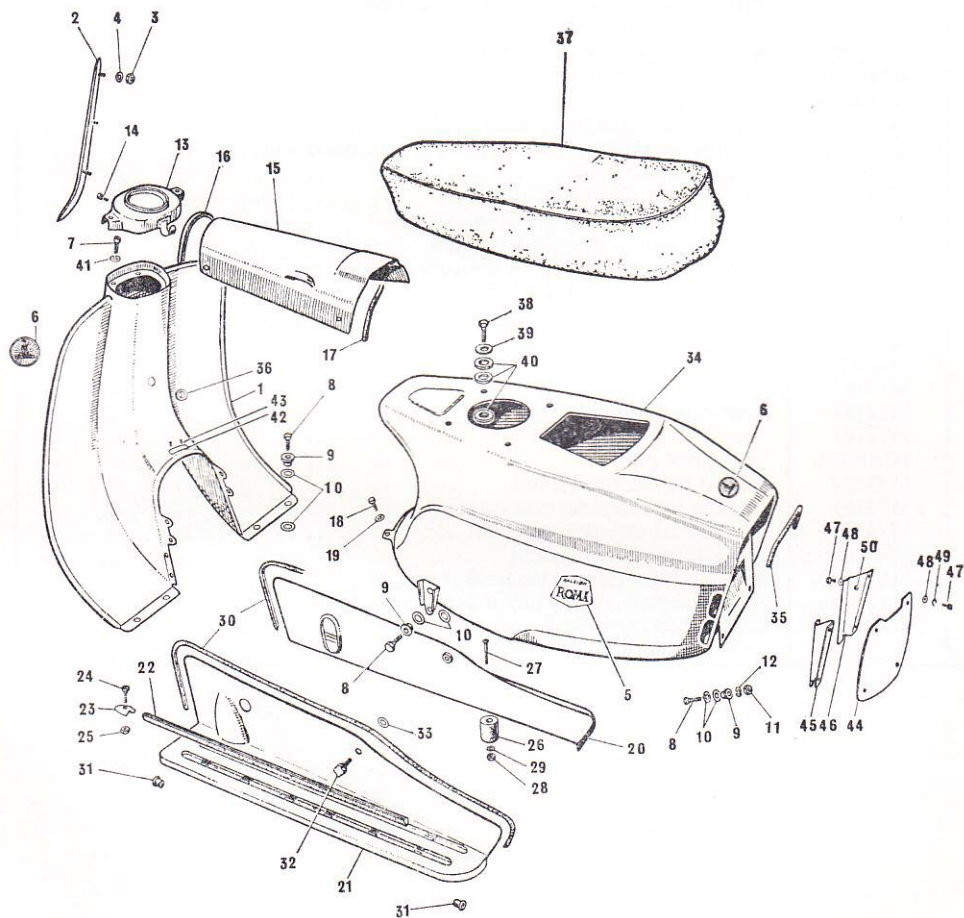


FRONT FORK

RS.2 & 3

GROUP 'G2'

ILLUS. NO.	SALES NO.	DESCRIPTION	NUMBER OFF
1	MMW271	Plain washer, steering head locknut	1
2	MTJ147	Front fork, bare	1
3	MTJ171	Suspension unit complete, front	2
4	MTJ172	Upper shroud, front suspension unit	2
5	MTJ150	Lower shroud, front suspension unit	2
6	MTJ151	Bush, lower shroud yoke	4
7	MTJ173	Central rod, front suspension unit	2
8	MTF147	Rubber block, upper, front suspension unit	8
9	MTF148	Nylon spacer, between rubber blocks	8
10	MTJ155	Rubber block, intermediate, front suspension unit	4
11	MTF149	End cap, lower shroud	2
12	MTF150	Rubber block, rebound, front suspension unit	2
13	MMN178	Slotted ring nut, front suspension unit	2
14	MMN195	Locknut, front suspension unit upper shroud	2
15	MMW267	Rubber washer, upper mounting, front suspension unit	4
16	MMW243	Plain washer, upper mounting, front suspension unit	2
17	MMN162	Nut, suspension rod	6
18	MTJ158	Trailing link, front fork, c/w bush	2
19	MTJ159	Bronze bush, trailing link fulcrum	2
20	MTJ160	Spacing bush, trailing link fulcrum	2
21	MMW268	Thrust washer, trailing link fulcrum	4
22	MTJ161	Cover cap, trailing link fulcrum	4
23	MMB200	Bolt, trailing link fulcrum	2
24	MMN192	Nut, fulcrum bolt	2
25	MMW269	Spring washer, fulcrum bolt	2
26	MTJ162	Bush, pivot pin	4
27	MTJ174	Dust cap, pivot pin	4
28	MTJ163	Pivot pin, trailing link	2
29	MMN193	Nut, pivot pin	2
30	MTJ164	Grease nipple, trailing link	2
31	MTJ165	Bearing set complete, steering head	1
32	MTJ166	Frame tube cap, steering head	2
33	MTJ167	Cone, lower, steering head	1
34	MML104	Ball bearing, 3/8", steering head	44
35	MTJ168	Cone complete, upper, adjustable, steering head	1
36	MMN194	Locknut, steering head	1



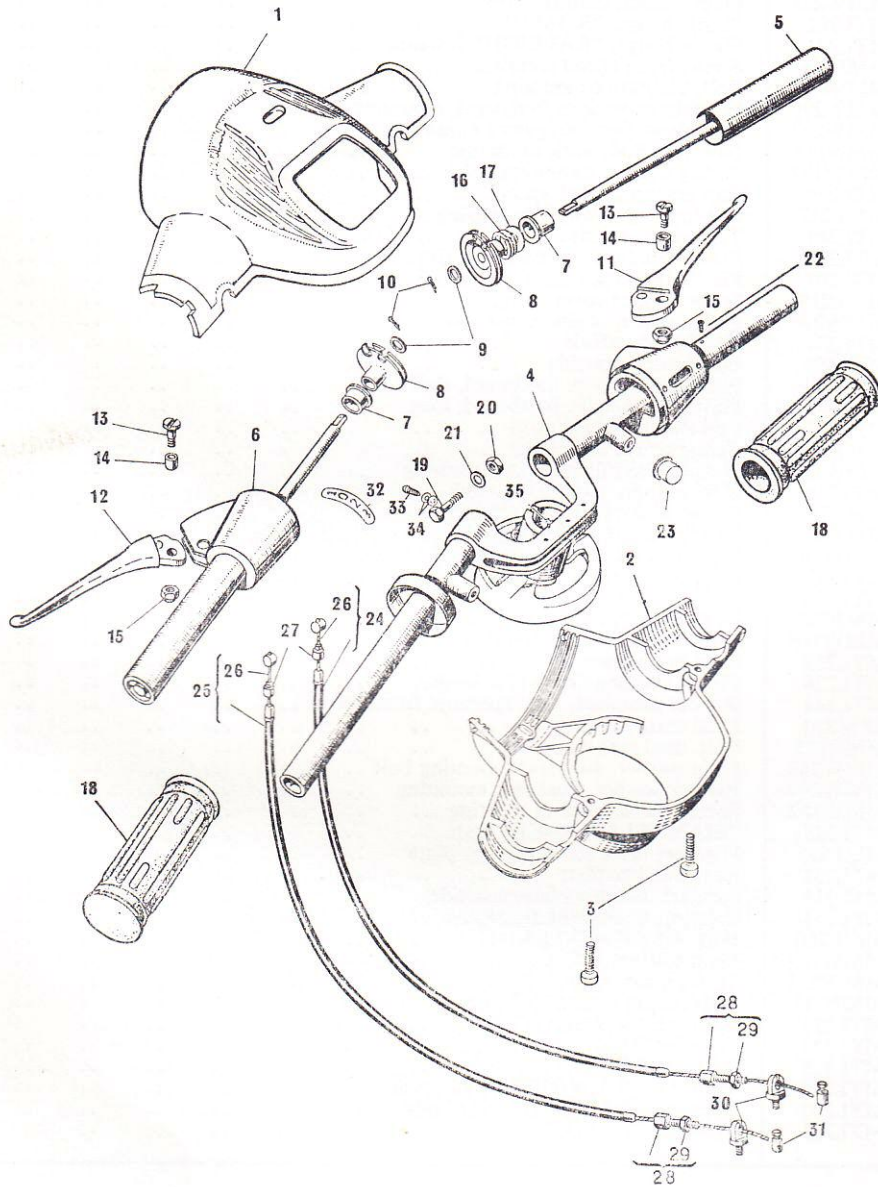
BODYWORK

RS.2 & 3

GROUP 'H2'

ILLUS. NO.	SALES NO.	DESCRIPTION	NUMBER OFF
1	MTL274	Front apron	1
2	MTL235	Chrome strip, front apron	1
3	MMN222	Nut, chrome strip	3
4	MMW295	Plain washer, chrome strip	3
5	MTL202	Plastic badge, "ROMA"	1
6	MTL203	Plastic badge, "RALEIGH" insignia	2
7	MMB216	Screw, front apron securing	2
8	MMB176	Bolt, bodywork mounting	8
9	MMW296	Shouldered washer, bodywork mounting	8
10	MMW297	Rubber washer, bodywork mounting	16
11	MMN158	Nut, rear bodywork mounting	2
12	MMW192	Spring washer, mounting bolts	2
13	MTL236	Cap pressing, front apron	1
14	MMB217	Self-tapping screw, cap pressing	4
15	MTL205	Top cover, engine	1
16	MTL206	Plastic beading, engine cover, front	1
17	MTL207	Plastic beading, engine cover, rear	1
18	MMB218	Screw, engine cover fixing	4
19	MMW298	Plain washer, engine cover screw	4
20	MTL237	Footboard, offside	1
21	MTL238	Footboard, nearside	1
22	MTL239	Plastic tread strip, footboard, short	2
22	MTL240	Plastic tread strip, footboard, long	2
23	MTL241	End clamp, rubber strip	8
24	MMB224	Fixing screw, end clamp	8
25	MMN223	Nut, footboard end clamp securing	8
26	MTL218	Rubber buffer, kickstart crank	1
27	MMB280	Screw, kickstart buffer securing	1
28	MMN224	Nut, kickstart buffer screw	1
29	MMW301	Washer, kickstart buffer screw	1
30	MTL242	Plastic beading, footboard	2
31	MTL220	Rubber bush, footboard pivot pins	4
32	MMB225	Finger screw, footboard securing	4
33	MMW319	Rubber washer, footboard screw	4
34	MTL222	Rear body assembly	1
35	MTL226	Plastic beading above rear lamp	1
36	MTL244	Rubber grommet, lock aperture, front apron	1
37	BZM850	Dual seat, complete	1
38	MMB175	Bolt, dual seat mounting	4
39	MMW243	Plain washer, dual seat mounting bolt	4
40	MMW299	Rubber washer, dual seat mounting	12
41	MMW192	Spring washer, apron securing	2
42	MTL228	"BIANCHI LICENCE" plate	1
43	MMB223	Hammer drive screw, licence plate	2
44	MTL232	Rear number plate	1
45	MTL233	Support, number plate, nearside	1
46	MTL234	Support, number plate, offside	1
47	MMB206	Bolt, $\frac{3}{8}$ " x $\frac{1}{2}$ " x 28 t.p.i.	8
48	MMW105	Plain washer, $\frac{3}{16}$ "	8
49	MMW233	Spring washer, $\frac{3}{16}$ "	4
50	MMN217	Self-locking nut, $\frac{3}{8}$ " x 28 t.p.i.	4
N.I.	MTL223	Transfer, "RESERVE"	1
N.I.	MTL224	Transfer "ON"	1
N.I.	MTL225	Transfer, "OFF"	1
N.I.	MTL229	Transfer, "RALEIGH", front apron	1
N.I.	MTL230	Transfer, "RALEIGH", rear body	1
N.I.	MTL231	Transfer, "ROMA"	2

N.I.=Not illustrated



HANDLEBARS

RS.2 & 3

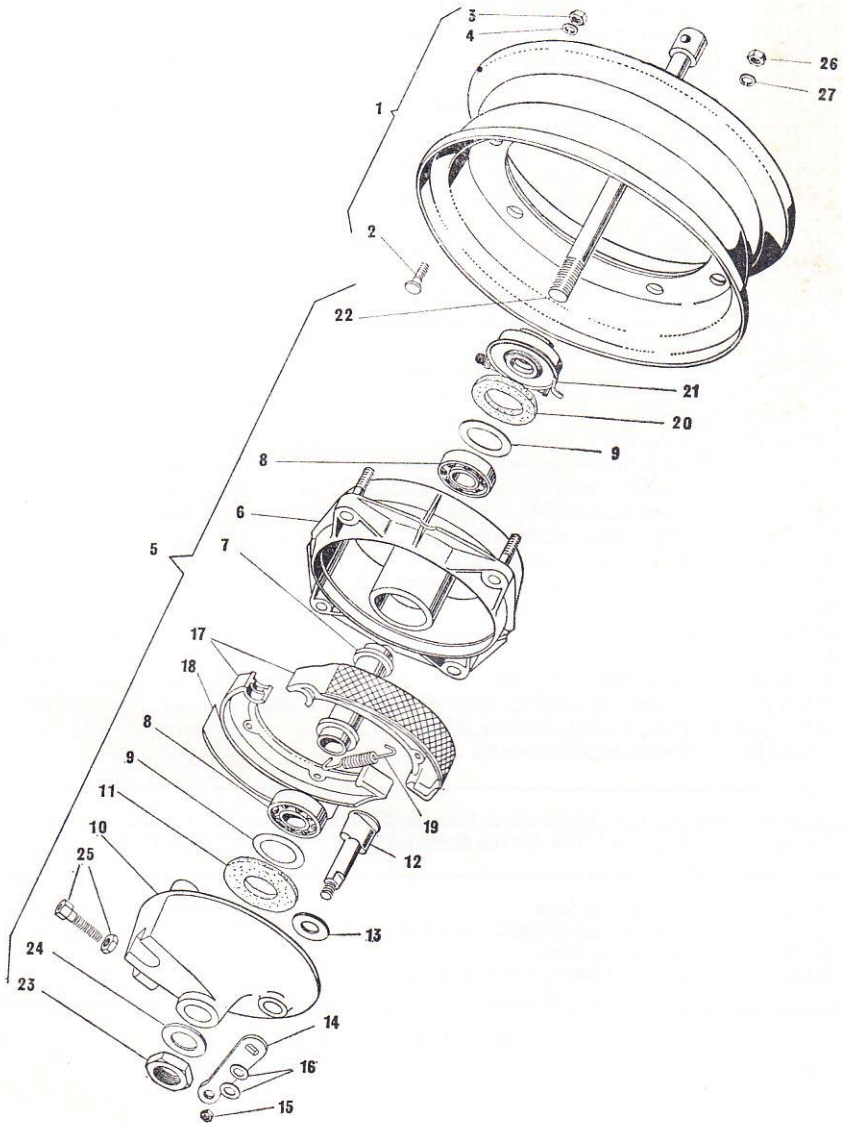
GROUP '12'

ILLUS. NO.	SALES NO.	DESCRIPTION	NUMBER OFF
1	MTN170	Headlamp housing, upper	1
2	MTN171	Headlamp housing, lower	1
3	MMB244	Screw, headlamp housing	2
4	MTN172	Handlebar, bare	1
5	MTN153	Throttle twistgrip, c/w rod	1
6	MTN173	Gearchange twistgrip, c/w rod	1
7	MTN155	Bush for twistgrip rod	2
8	MTN174	Pulley, cable operating	2
9	MMW198	Plain washer, twistgrip rod	2
10	MTN157	Split pin, twistgrip rod	2
11	MTN158	Handlebar lever, front brake	1
12	MTN158	Handlebar lever, clutch	1
13	MMB241	Fulcrum screw, handlebar lever	2
14	MTN159	Bush, handlebar lever fulcrum	2
N.I.	MMW309	Shakeproof washer, handlebar lever nut	2
15	MMN224	Nut, fulcrum screw	2
16	MTN175	Spring, handlebar pulley	2
17	MMW310	Thrust washer, handlebar pulley	2
18	MTN160	Handlebar grip	2
19	MMB243	Clamp bolt, handlebar securing	1
20	MMN230	Nut, handlebar clamp bolt	1
21	MMW198	Plain washer, handlebar clamp bolt	1
22	MMB242	Stop screw, twistgrip	1
23	MTN162	Plug, headlamp housing aperture	2
24	MTN163	Gearchange cable, complete, short	1
25	MTN164	Gearchange cable, complete, long	1
26	MTN165	Inner cable, gearchange	2
27	MTN143	Ferrule, gearchange cable	2
28	MTN167	Cable adjuster, complete, gearchange	2
29	MMN167	Nut, cable adjuster	2
30	MTN168	Cable abutment	2
31	MTN149	Solderless nipple	2
32	MTN176	Gear indicator plate	1
33	MMB245	Screw, self-tapping, headlamp lower housing	1
34	MMW311	Plain washer, housing screw	2
35	MMB246	Screw, headlamp earth wire	1

Some RS.2 & 3 Scooters are fitted with handlebars which have modified lever fulcrums, i.e. illustration No. 14, Bush, lever fulcrum is deleted. Please use the Sales Nos. given below for the modified components instead of those above.

4	MTN247	Handlebar, bare	1
6	MTN248	Gearchange twistgrip, c/w rod	1
11/12	MTN246	Handlebar lever	2
N.I.	MMP152	Fulcrum screw, c/w nut, handlebar lever	2

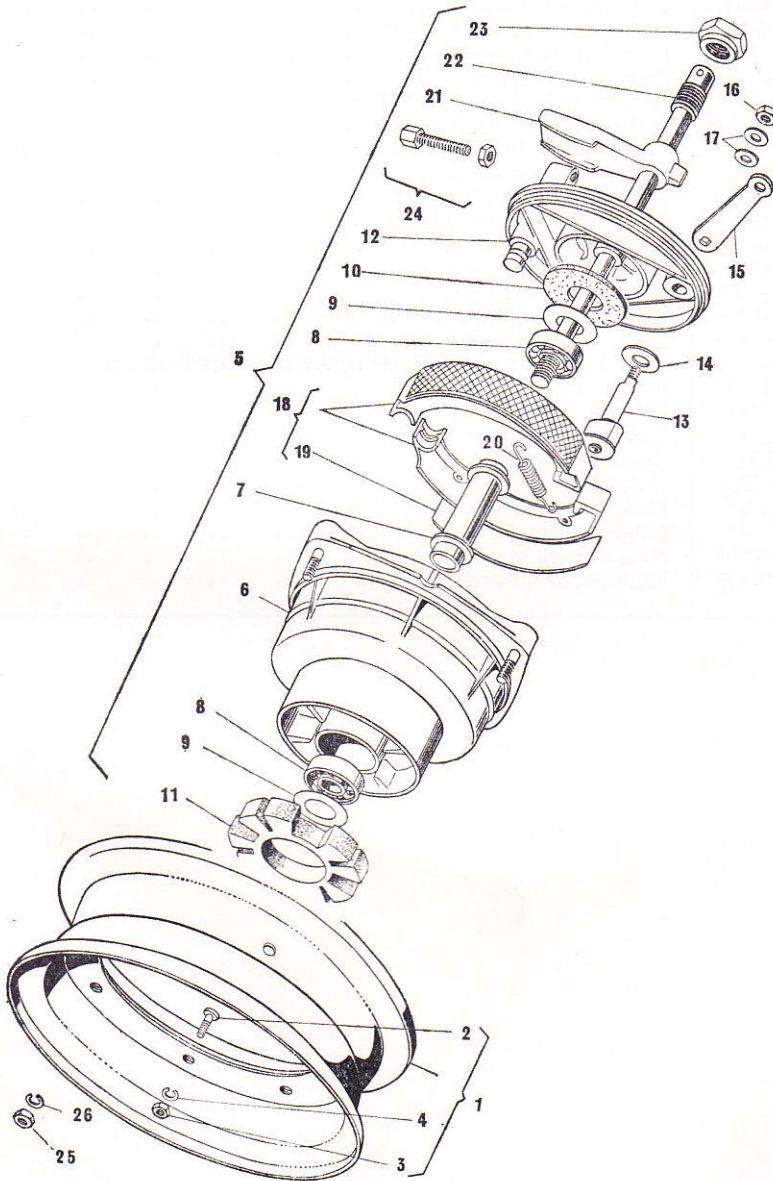
N.I. = Not illustrated



FRONT WHEEL AND HUB RS.2 & 3

GROUP 'J2'

ILLUS. NO.	SALES NO.	DESCRIPTION	NUMBER OFF
1	MTK206	Wheel rim complete, less tyre and tube	1
2	MTK207	Stud, wheel-half fixing	4
3	MMN211	Nut, wheel-half stud	4
4	MMW199	Spring washer, wheel-half nut	4
5	MTK208	Front hub, complete	1
6	MTK209	Shell, front hub, c/w studs	1
7	MTK210	Distance piece, front hub bearings	1
8	MTK211	Ball journal bearing, front hub	2
9	MMW282	Shield washer, front hub bearing	2
10	MTK212	Back plate, front brake	1
11	MMW283	Felt washer, back plate	1
12	MTK213	Cam and spindle, front brake	1
13	MMW284	Spacing washer, front brake cam	2
14	MTK214	Lever, front brake cam	1
15	MMN212	Nut, brake cam spindle	1
16	MMW198	Plain washer, cam spindle nut	2
17	MTK215	Brake shoe, c/w lining	2
18		Brake linings not available, see Group U Service Exchange	
19	MTK217	Return spring, brake shoe	2
20	MTK218	Felt seal, speedo drive gearbox	1
21	MTK219	Speedo drive gearbox	1
22	MTK220	Spindle, front hub	1
23	MMN213	Nut, front hub spindle	1
24	MMW285	Plain washer, spindle nut	1
25	MTK221	Cable adjuster, c/w nut, front brake	1
26	MMN214	Nut, securing wheel to hub	4
27	MMW199	Spring washer, wheel to hub nut	4

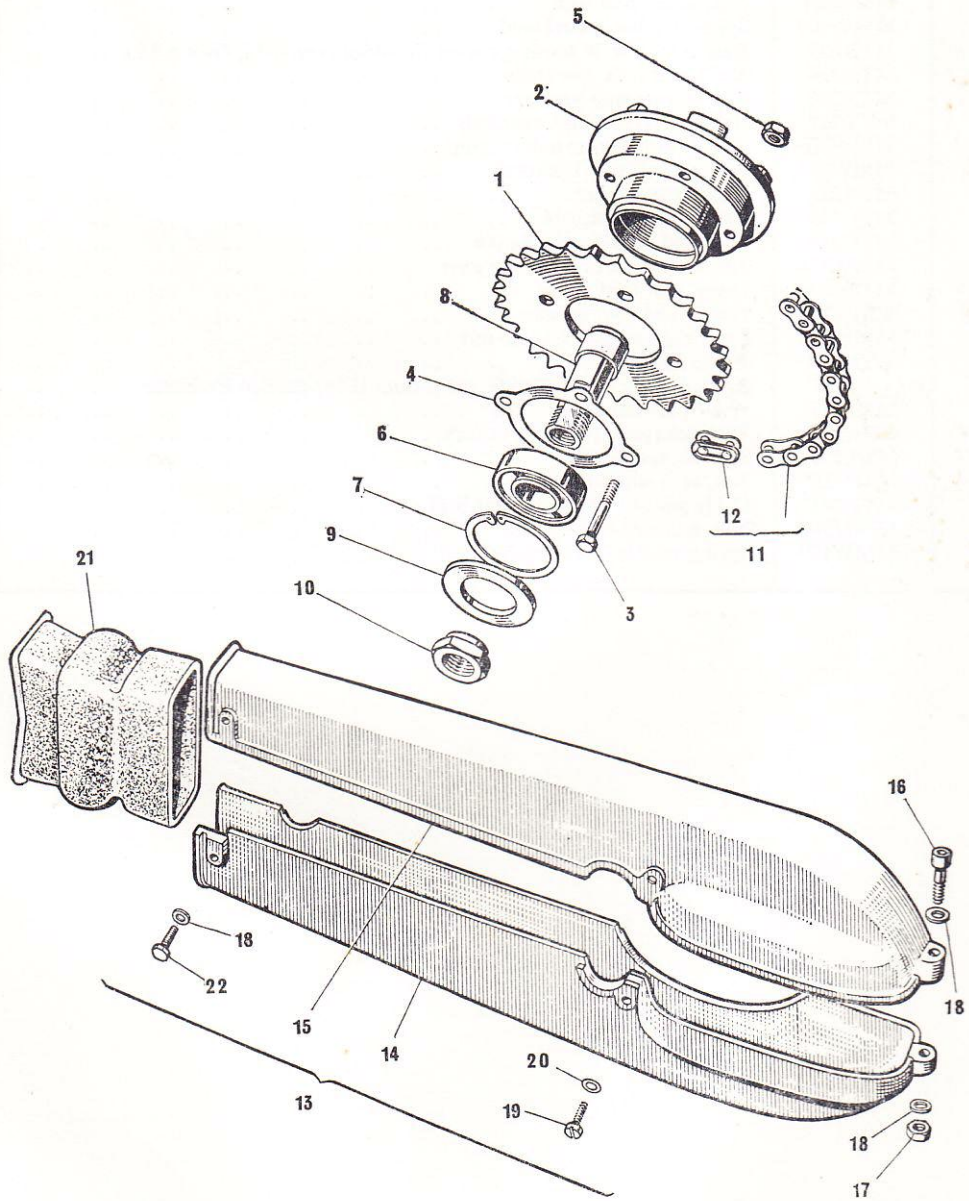


REAR WHEEL AND HUB

RS.2 & 3

GROUP 'K2'

ILLUS. NO.	SALES NO.	DESCRIPTION	NUMBER OFF
1	MTK206	Wheel rim complete, less tyre and tube	1
2	MTK207	Stud, wheel-half fixing	4
3	MMN211	Nut, wheel-half stud	4
4	MMW199	Spring washer, wheel stud	8
5	MTK225	Rear hub, c/w 30 tooth sprocket (includes Nos. 1-10, Group L2)	1
6	MTK224	Shell, rear hub, c/w studs	1
7	MTK226	Spacer, rear hub bearings	1
8	MTK227	Ball journal bearings, rear hub	2
9	MMW286	Shield washer, rear hub bearing	2
10	MMW283	Felt washer, rear backplate	1
11	MTK228	Cush drive rubber	1
12	MTK229	Rear brake backplate	1
13	MTK213	Cam and spindle, rear brake	1
14	MMW284	Spacing washer, rear brake cam	1
15	MTK214	Lever, rear brake cam	1
16	MMN212	Nut, brake cam spindle	1
17	MMW198	Plain washer, cam spindle nut	Varies
18	MTK215	Brake shoe, c/w linings	2
19		Brake linings, not available, see Group U for Service Exchange	
20	MTK217	Return spring, brake shoes	2
21	MTK230	Distance piece, rear hub to fork	1
22	MTK231	Spindle, rear wheel	1
23	MMN215	Nut, rear wheel spindle	1
24	MTK221	Cable adjuster, c/w nut, rear brake	1
25	MMN214	Nut, securing wheel to hub	4
26	MMW199	Spring washer, wheel to hub nut	4



FINAL DRIVE

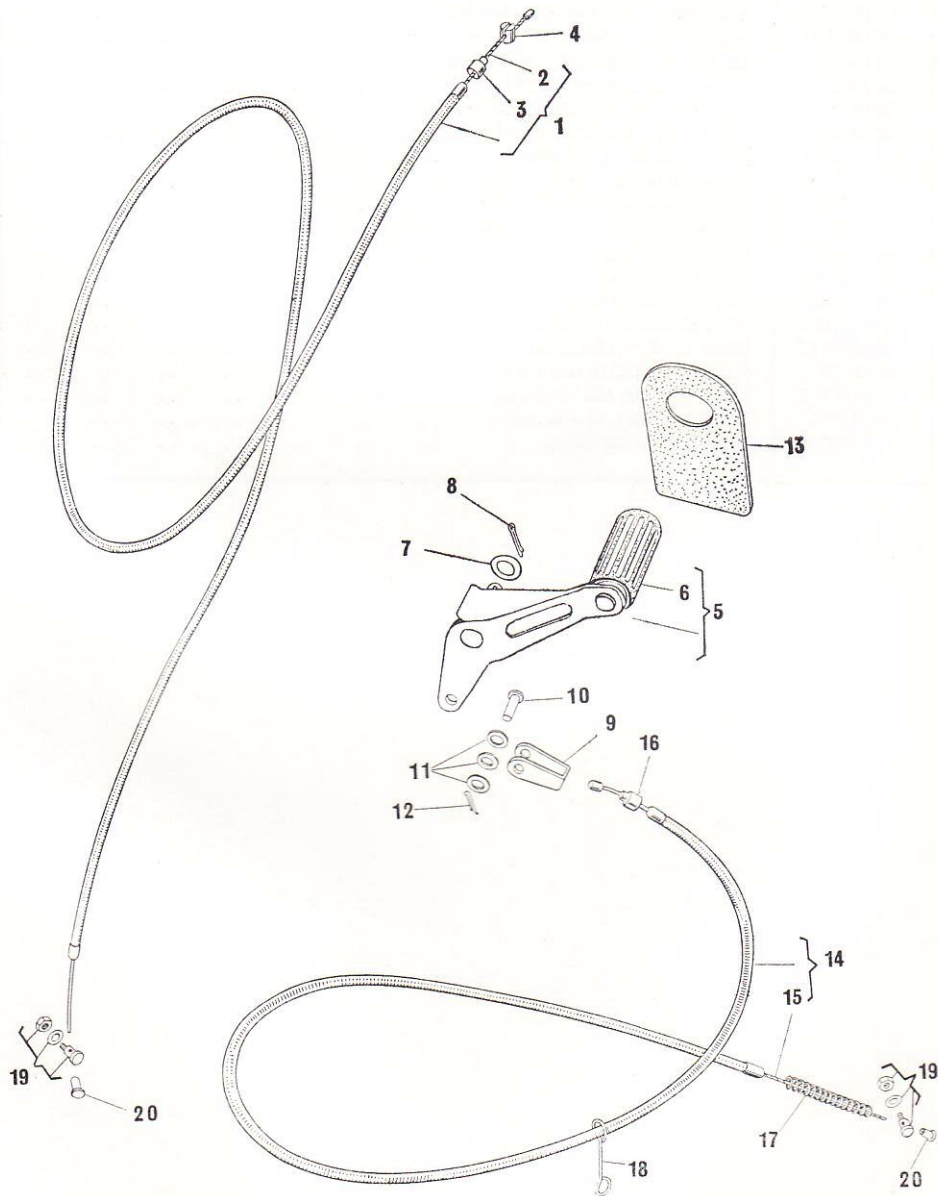
RS.2 & 3

GROUP 'L2'

ILLUS. NO.	SALES NO.	DESCRIPTION	NUMBER OFF
1	MTK234	Sprocket, rear wheel, 30t	1
2	MTK235	Cush drive hub, c/w rubber	1
3	MMB202	Bolt, rear sprocket	4
4	MTK236	Locking plate, rear sprocket bolts	1
5	MMN158	Nut, rear sprocket bolt	4
6	MTK237	Ball journal bearing, cush drive hub	1
7	MTK238	Circlip, cush drive hub bearings	1
8	MTK239	Hollow spindle, cush drive hub	1
9	MTK240	Dust cap, cush drive hub bearing	1
10	MMN215	Nut, cush drive spindle	1
11	MTD236	Drive chain, complete	1
12	MTD237	Connecting link, drive chain	1
13	MTL249	Chaincase, c/w mounting bolts	1
14	MTL247	Chaincase half, lower	1
15	MTL248	Chaincase half, upper	1
16	MMB226	Screw, chaincase clamping	1
17	MMN158	Nut, chaincase clamping screw	1
18	MMW187	Plain washer, chaincase screw	4
19	MMB227	Screw, chaincase securing	2
20	MMW302	Plain washer, chaincase securing screw	2
21	MTL250	Rubber gaiter, chaincase	1
22	MMB228	Bolt, chaincase fixing	2

BRAKE CONTROL CABLES RS.2 & 3

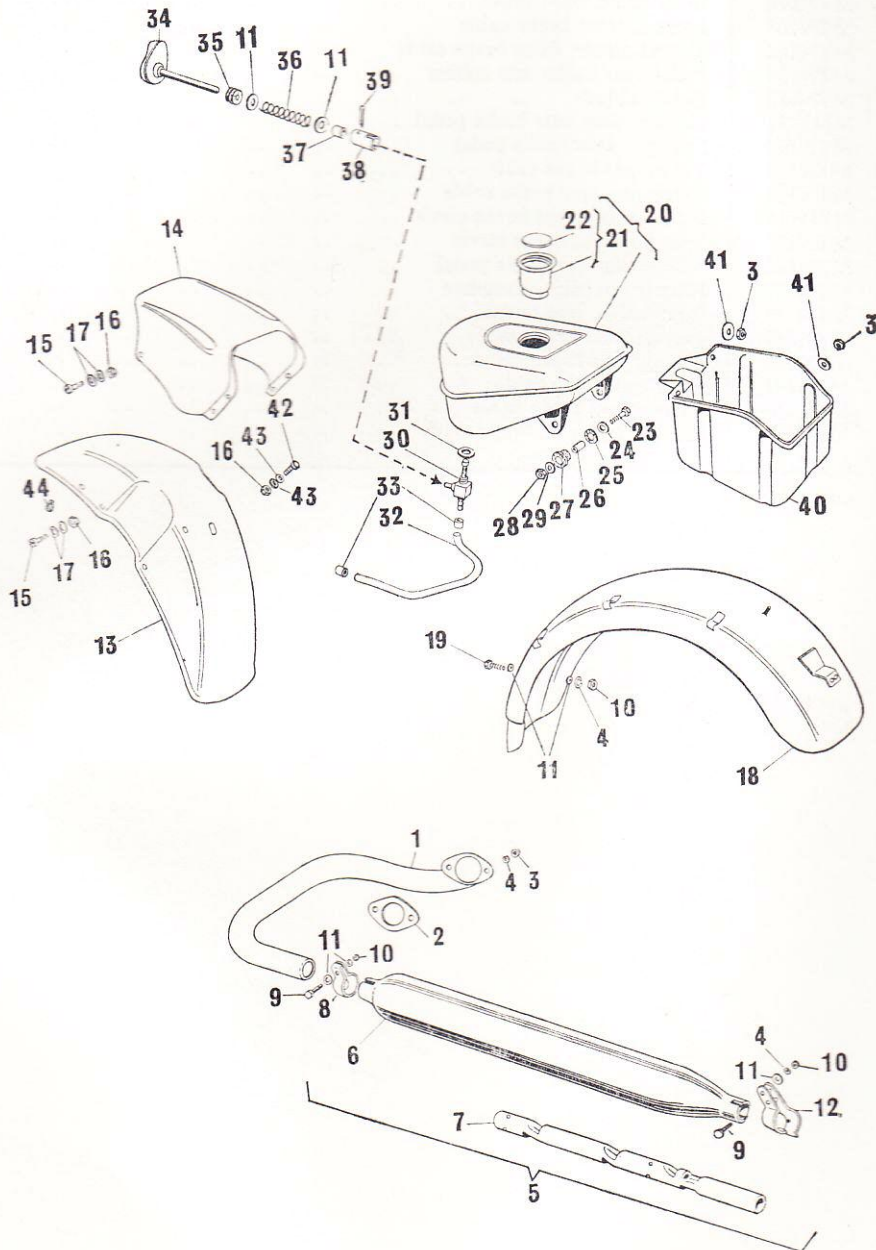
GROUP 'M2'



BRAKE CONTROL CABLES RS.2 & 3

GROUP 'M2'

ILLUS. NO.	SALES NO.	DESCRIPTION	NUMBER OFF
1	MTN177	Front brake cable, complete	1
2	MTN178	Inner cable, front brake	1
3	MTN143	Ferrule, front brake cable	1
4	MTN144	Slotted nipple, front brake cable	1
5	MTN194	Pedal, rear brake, c/w rubber	1
6	MTN182	Pedal rubber	1
7	MMW312	Plain washer, rear brake pedal	1
8	MTN195	Split pin, rear brake pedal	1
9	MTN184	Yoke, rear brake cable	1
10	MTN183	Clevis pin, rear brake cable	1
11	MMW187	Plain washer, rear brake clevis	3
12	MTN185	Split pin, rear brake clevis	1
13	MTN186	Rubber flap for brake pedal	1
14	MTN187	Rear brake cable, complete	1
15	MTN188	Inner cable, rear brake	1
16	MTN143	Ferrule, rear brake cable	1
17	MTN190	Spring, rear brake cable	1
18	MTN191	Clip, rear brake cable	1
19	MMP153	Clamp bolt, brake cable	2
20	MTN192	Rubber terminal, brake cable	2



MUDGUARDS, TANK AND SILENCER RS.2 & 3 GROUP 'N2'

ILLUS. NO.	SALES NO.	DESCRIPTION	NUMBER OFF
1	MTA256	Exhaust pipe	1
*2	MTA257	Gasket, exhaust flange	1
3	MMN155	Nut, exhaust flange stud and tool box mounting	5
4	MMW192	Spring washer, 6 mm.	5
5	MTA258	Silencer assembly, complete	1
6	MTA259	Body, silencer	1
7	MTA260	Internal tube, silencer	1
8	MTA261	Clip, exhaust pipe to silencer	1
9	MMB158	Bolt, exhaust pipe clip and silencer clip	2
10	MMN158	Nut, 6 mm.	4
11	MMW187	Plain washer, 6 mm.	10
12	MTA262	Clip, silencer mounting	1
13	MTL252	Front mudguard	1
14	MTL261	Front air scoop	1
15	MMB227	Screw, mudguard and air scoop securing	6
16	MMN224	Nut, front mudguard securing screw	7
17	MMW295	Plain washer, front mudguard screw	16
18	MTL254	Rear mudguard	1
19	MMB176	Bolt, rear mudguard securing	4
20	MTL255	Fuel tank, c/w filler cap	1
21	MTL256	Filler cap, fuel tank	1
22	MTL257	Metal plate, filler cap	1
23	MMB229	Bolt, fuel tank mounting	3
24	MMW303	Plain washer, fuel tank mounting bolt	3
25	MMW229	Rubber washer, fuel tank mounting	3
26	MTL262	Sleeve, fuel tank mounting bolt	2
27	MTL259	Rubber bush, fuel tank mounting	3
28	MMN176	Nut, tank mounting bolt	2
29	MMW198	Plain washer, tank mounting nut	2
30	MTH198	Fuel tap	1
N.I.	MTH102	Plastic sealing washer, fuel tap	1
31	MMW259	Washer, Fuel tap 0.5 mm.	Varies
31	MMW260	Washer, Fuel tap 0.7 mm.	Varies
31	MMW261	Washer, Fuel tap 0.9 mm.	Varies
32	MTH199	Fuel pipe	1
33	MTH200	Ferrule, fuel pipe	2
34	MTH201	Knob, fuel tap	1
35	MTH202	Grommet, fuel tap spindle	1
36	MTH203	Spring, knob spindle	1
37	MTH204	Bush, knob spindle	1
38	MTH205	Slotted sleeve, knob spindle	1
39	MTH206	Split pin, slotted sleeve	1
40	MTL260	Tool box	1
41	MMW304	Plain washer, tool box mounting	3
42	MMB230	Bolt, front mudguard	1
43	MMW183	Plain washer, front mudguard	1
44	MTL263	Clip, speedometer and front brake cables	2

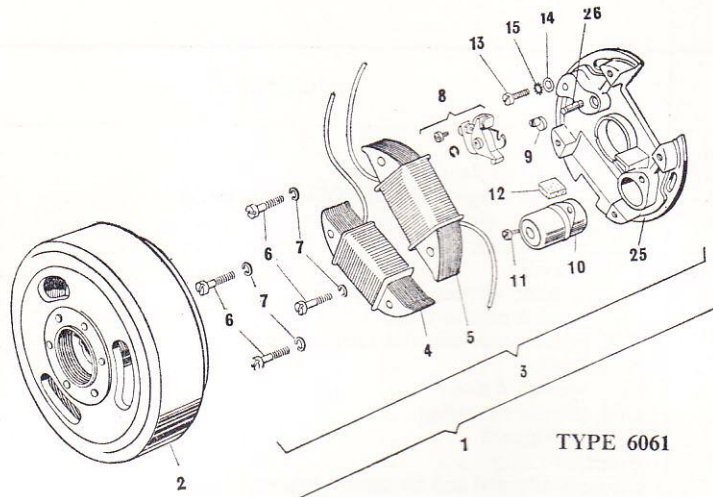
*For complete gasket sets, see Group R

N.I.=Not illustrated

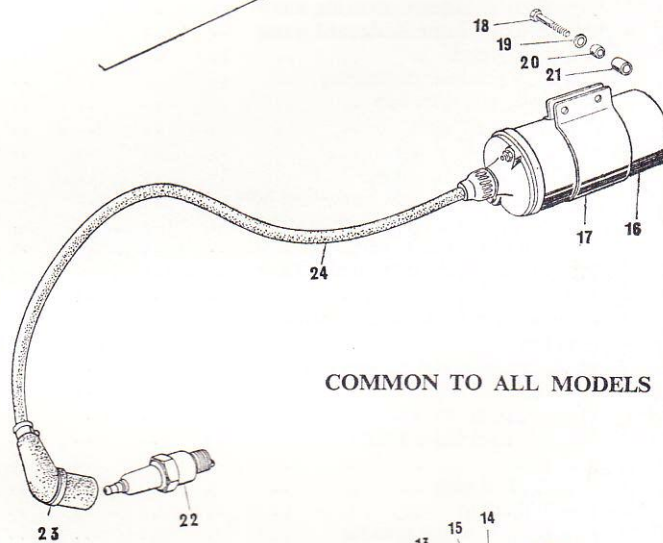
FLYWHEEL MAGNETO-ALTERNATOR

RS.2 & 3

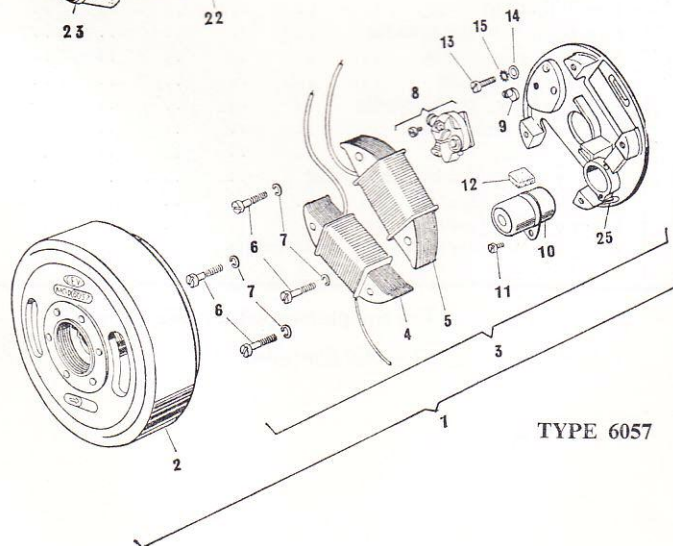
GROUP '02'



TYPE 6061



COMMON TO ALL MODELS



TYPE 6057

FLYWHEEL MAGNETO-ALTERNATOR

(a) TYPE CEV 6061

RS.2 & 3

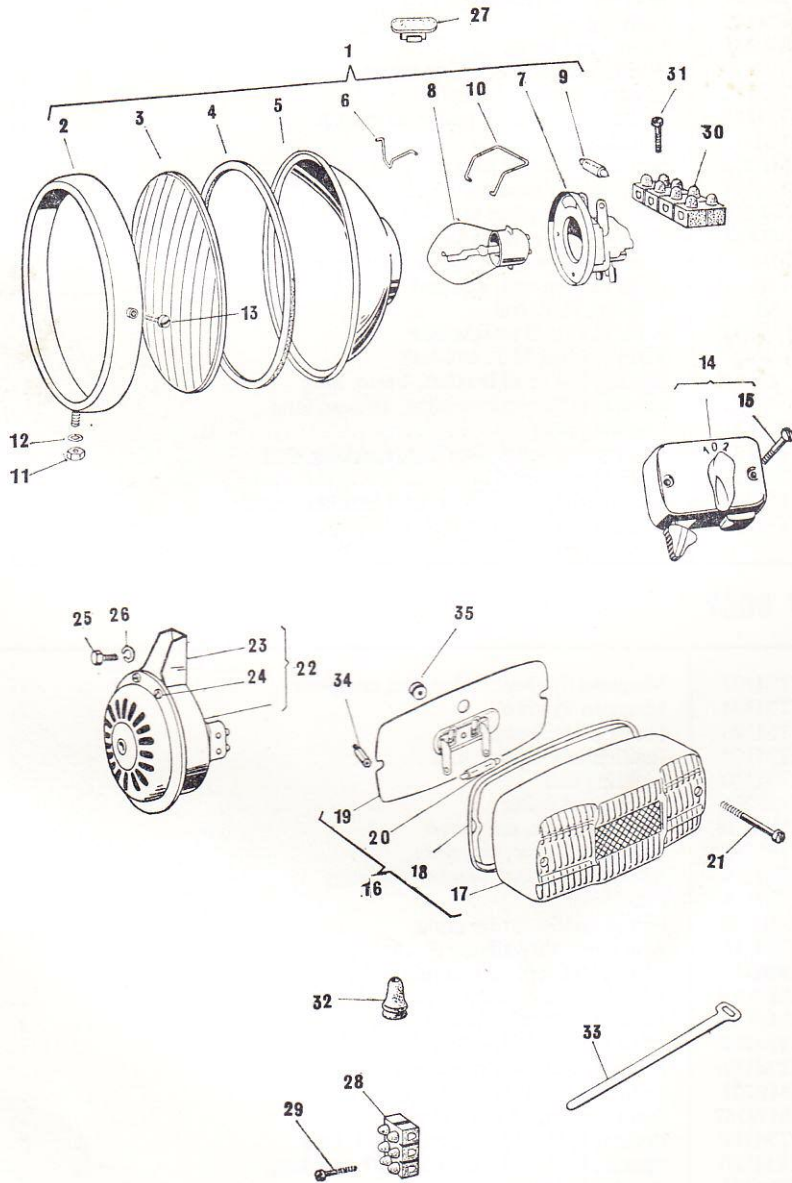
GROUP '02'

ILLUS. NO.	SALES NO.	DESCRIPTION	NUMBER OFF
1	MTM163	Magneto flywheel and stator, complete..	1
2	MTM162	Magneto flywheel ..	1
3	MTM105	Stator plate, complete ..	1
4	MTM107	Ignition low tension coil ..	1
5	MTM109	Lighting coil ..	1
6	MMB231	Screw, coil fixing ..	4
7	MMW318	Spring washer, coil fixing screw ..	4
8	MTM111	Contact breaker, complete ..	1
9	MTM113	Eccentric, contact breaker adjusting ..	1
10	MTM115	Condenser ..	1
11	MMB233	Screw, condenser fixing ..	1
12	MTM116	Felt, cam lubricating ..	1
13	MMB234	Screw, stator plate securing ..	3
14	MMW301	Washer, stator plate screw ..	3
15	MMW305	Shakeproof washer, stator plate screw ..	3
16	MTM117	High tension coil, external ..	1
17	MTM118	Bracket, H.T. coil ..	1
18	MMB235	Bolt, H.T. coil attachment ..	2
19	MMW187	Plain washer, H.T. coil bolt ..	2
20	MTM119	Spacer, H.T. coil bracket, 4 mm. long ..	2
21	MTM120	Spacer, H.T. coil mounting, 10 mm. long ..	2
22	MTM121	Sparking plug ..	1
23	MTM122	Waterproof suppressor cap, sparking plug ..	1
24	MTM123	High tension lead ..	1
25	MTM124	Stator backplate, c/w contact breaker spindle ..	1
26	MTM125	Spindle, contact breaker ..	1
N.I.	MTA277	Circlip, contact breaker ..	1

(b) TYPE CEV 6057

1	MTM102	Magneto flywheel and stator, complete..	1
2	MTM104	Magneto flywheel ..	1
3	MTM106	Stator plate, complete ..	1
4	MTM108	Ignition low tension coil ..	1
5	MTM110	Lighting coil ..	1
6	MMB232	Screw, coil fixing ..	4
7	MMW318	Spring washer, coil screw ..	4
8	MTM112	Contact breaker, complete ..	1
9	MTM114	Eccentric, contact breaker adjusting ..	1
10	MTM115	Condenser ..	1
11	MMB233	Screw, condenser securing ..	1
12	MTM116	Felt, cam lubricating ..	1
13	MMB234	Screw, stator plate securing ..	3
14	MMW301	Washer, stator screw ..	3
15	MMW305	Shakeproof washer, stator screw ..	3
16	MTM117	High tension coil, external ..	1
17	MTM118	Bracket, H.T. coil mounting ..	1
18	MMB235	Bolt, H.T. coil securing ..	2
19	MMW187	Plain washer, H.T. coil bolt ..	2
20	MTM119	Spacer, H.T. coil bracket, 4 mm. long ..	2
21	MTM120	Spacer, H.T. coil mounting, 10 mm. long ..	2
22	MTM121	Sparking plug ..	2
23	MTM122	Suppressor cap, sparking plug ..	1
24	MTM123	High tension lead ..	1
25	MTM126	Stator plate, bare ..	1

N.I.=Not illustrated



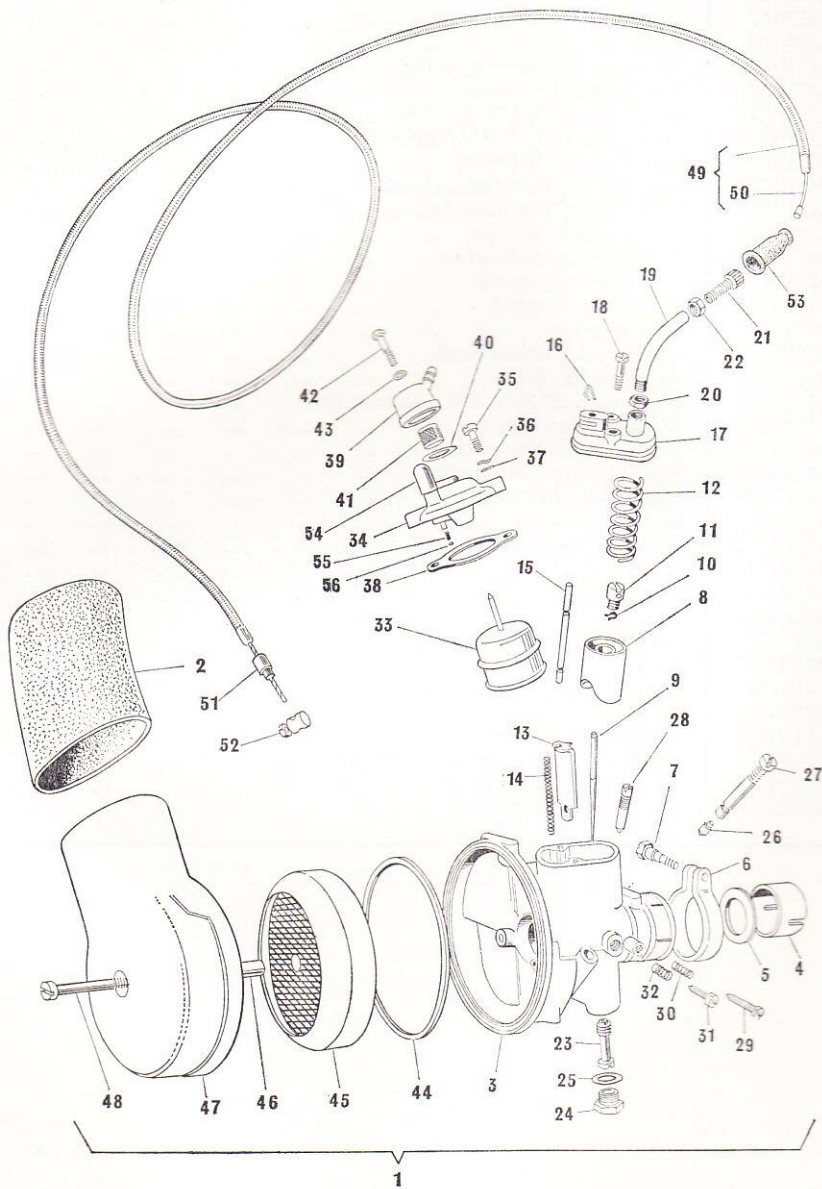
LIGHTING AND HORN

RS.2 & 3

GROUP 'P2'

ILLUS. NO.	SALES NO.	DESCRIPTION	NUMBER OFF
1	MTP189	Headlamp light unit, complete	1
2	MTP190	Rim, headlamp	1
3	MTP166	Glass, headlamp	1
4	MTP167	Sealing ring, headlamp glass	1
5	MTP168	Reflector, headlamp	1
6	MTP169	Spring clip, reflector securing	6
7	MTP170	Bulb holder, headlamp	1
8	MTP171	Headlamp bulb, 6 V. 25/25W.	1
9	MTP172	Pilot bulb, 12 V. 10W., festoon type	1
10	MTP173	Spring clip, bulb holder	1
11	MMN235	Locknut, headlamp adjustment	1
12	MMW301	Plain washer, headlamp locknut	1
13	MMB256	Screw, headlamp pivot	2
14	MTP174	Combined lighting switch	1
15	MMB251	Screw, lighting switch	2
16	MTP175	Rearlamp, complete	1
17	MTP176	Rearlamp lens	1
18	MMW316	Plastic seal, rearlamp lens	1
19	MTP177	Baseplate, rearlamp	1
20	MTP178	Rearlamp bulb, 6 V. 5W., festoon type	1
21	MMB252	Screw, rearlamp lens	2
22	MTP179	Electric horn, c/w bracket	1
23	MTP180	Bracket, horn mounting	1
24	MMB253	Screw, horn to bracket	2
25	MMB228	Bolt, horn mounting	1
26	MMW192	Spring washer, horn mounting bolt	1
27	MTP191	Green indicator light, complete	1
28	MTP183	Flexible terminal block, 3-way	1
29	MMB255	Self-tapping screw, terminal block	1
30	MTP182	Flexible terminal block, 4-way	1
31	MMB254	Screw, terminal block	2
32	MTP184	Rubber grommet, magneto housing outlet	1
33	MTP185	Cable clip	5
34	MTP186	Distance piece, rearlamp	2
35	MTP187	Rubber grommet, rearlamp baseplate	1
N.I.	MTP188	Cable harness, complete	1
N.I.	MTA278	Circlip, headlamp switch	1

N.I. = Not illustrated



CARBURETTOR

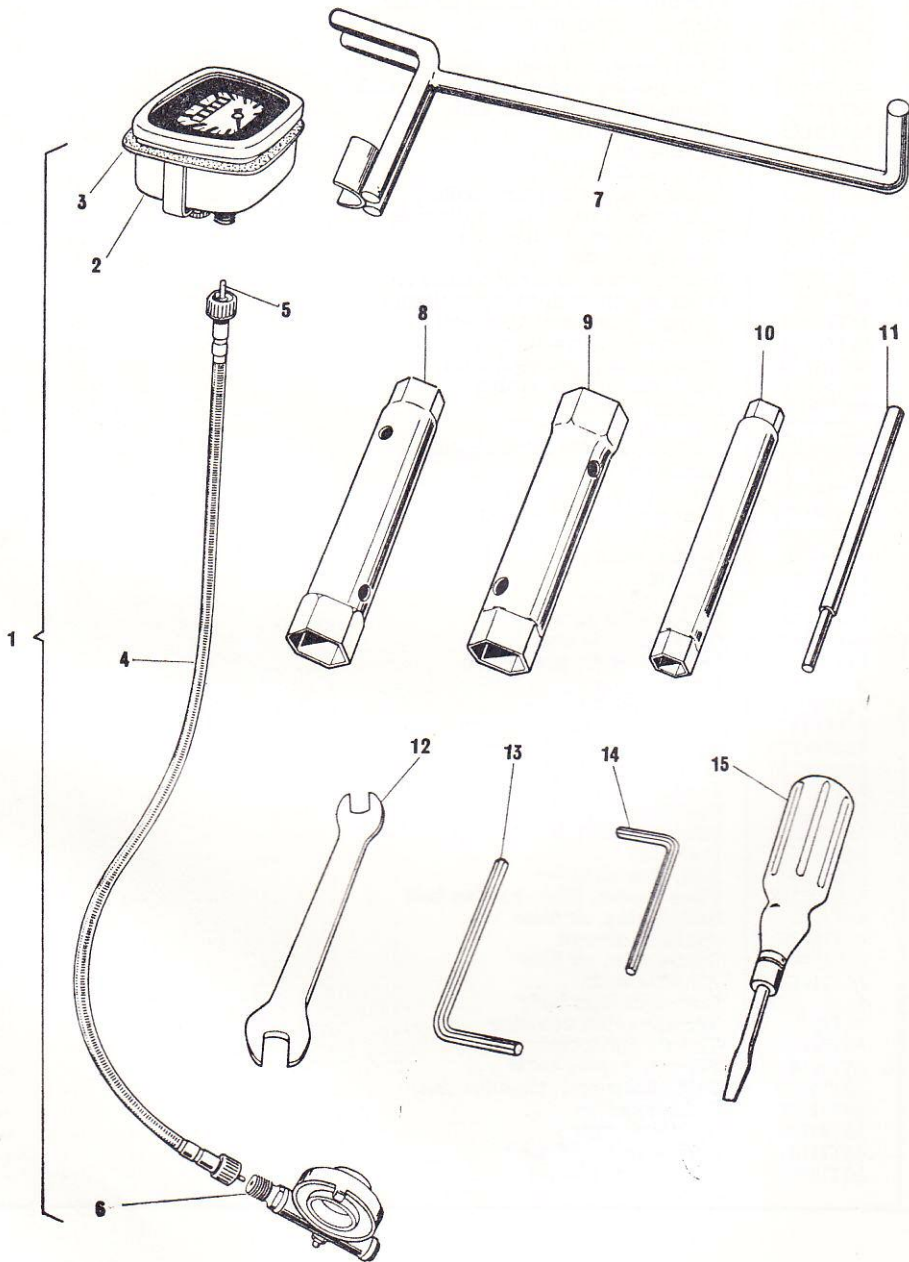
RS.2 & 3

GROUP 'Q2'

ILLUS. NO.	SALES NO.	DESCRIPTION	NUMBER OFF
1	MTH157	Carburettor, c/w cable and air filter	1
2	MTH189	Air hose, carburettor	1
3	MTH158	Carburettor body	1
4	MTH159	Fibre sleeve, carburettor stub	1
5	MMW253	Fibre spacing washer, carburettor stub	1
6	MTH160	Clamp ring, carburettor stub	1
7	MMB183	Screw, clamp ring	1
8	MTH161	Throttle slide	1
9	MTH162	Taper needle "G"	1
10	MTH163	Spring clip, carburettor needle	1
11	MTH164	Cable nipple retainer, throttle slide	1
12	MTH165	Return spring, throttle slide	1
13	MTH166	Strangler shutter	1
14	MTH167	Return spring, strangler shutter	1
15	MTH168	Operating plunger, strangler shutter	1
16	MTH169	Spring clip, strangler plunger	1
17	MTH170	Cover, mixing chamber	1
18	MMB184	Screw, mixing chamber cover	2
19	MTH171	Guide tube, throttle cable	1
20	MMN184	Locknut, guide tube	1
21	MTH172	Adjuster, throttle cable	1
22	MMN185	Locknut, throttle cable adjuster	1
23	MTH173	Needle jet	1
24	MTH174	Access plug, needle jet	1
25	MMW254	Fibre washer, access plug	1
26	MTH175	Main jet	1
27	MTH176	Holder, main jet	1
28	MTH177	Pilot jet	1
29	MMB185	Screw, pilot air	1
30	MTH178	Spring, pilot air screw	1
31	MMB186	Screw, throttle stop	1
32	MTH179	Spring, throttle stop screw	1
33	MTH180	Float	1
34	MTH181	Cover, float chamber	1
35	MMB187	Screw, float chamber cover	2
36	MMW255	Spring washer, float chamber cover	2
37	MMW256	Plain washer, float chamber cover	2
38	MTH182	Joint, float chamber cover	1
39	MTH183	Fuel filter chamber	1
40	MMW257	Fibre washer, filter chamber	1
41	MTH184	Fuel filter	1
42	MMB188	Bolt, filter chamber	1
43	MMW258	Fibre washer, filter chamber bolt	1
44	MTH185	Sealing ring, air filter	1
45	MTH186	Air filter element	1
46	MTH187	Spacer tube, air filter	1
47	MTH193	Air filter body	1
48	MMB189	Screw, air filter body	1
49	MTN197	Throttle cable, complete	1
50	MTN198	Throttle inner cable	1
51	MTN143	Ferrule, throttle cable	1
52	MTN149	Solderless nipple, throttle cable	1
53	MTH188	Rubber sleeve	1
54	MTH190	Tickler plunger	1
55	MTH191	Spring, tickler plunger	1
56	MTH192	Clip, tickler plunger	1

SPEEDOMETER, TOOLKIT, GASKET AND OIL SEAL SETS

GROUP 'R'



SPEEDOMETER, TOOLKIT, GASKET AND OIL SEAL SETS

GROUP 'R'

ILLUS. NO.	SALES NO.	DESCRIPTION	NUMBER OFF
1	MTR153	Speedometer, c/w cable and gearbox	1
2	MTR154	Speedometer head, complete	1
3	MTR155	Rubber sealing washer	1
N.I.	MTR156	Lens, speedometer	1
N.I.	MTR157	Bezel, speedometer	1
4	MTR158	Speedometer cable, complete	1
5	MTR159	Inner cable, speedometer	1
6	MTK219	Drive unit, speedometer	1
7	MTR161	Rear wheel stand	1
8	MTR162	Box spanner, 21 × 19 mm.	1
9	MTR163	Box spanner, 22 × 27 mm.	1
10	MTR164	Box spanner, 11 × 14 mm.	1
11	MTR165	Tommy bar	1
12	MTR166	Spanner, open-ended, 8 × 10 mm.	1
13	MTR167	Hexagon key, 5 mm.	1
or 13	MTR168	Hexagon key, 4.5 mm.	1
14	MTR169	Hexagon key, 3 mm.	1
or 14	MTR170	Hexagon key, 4 mm.	1
15	MTR171	Screwdriver	1
N.I.	MTR172	Set of gaskets and joints (RS.1)	1
N.I.	MTR200	Set of gaskets and joints (RS.2 & 3)	1
N.I.	MTR173	Set of oil seals (RS.1)	1
N.I.	MTR201	Set of oil seals (RS.2 & 3)	1

N.I. = Not illustrated

SPECIAL WORKSHOP TOOLS

GROUP 'S'

SALES NO.	DESCRIPTION
MTR174	"T" handle socket spanner, 14 mm.
MTR203	Flywheel extractor, for magneto type CEV. 6057
MTR175	Flywheel extractor for magneto types CEV. 6049 & 6061
MTR176	Clutch holding tool
MTR221	"L" handle socket spanner, 10 mm.
MTR178	Crankshaft pinion extractor
MTR179	Hexagon key, 10 mm. clutch retaining nut
MTR180	Piston stop
MTR181	Gudgeon pin extractor
MTR182	Ignition advance gauge

ACCESSORIES

GROUP 'T'

SALES NO.	DESCRIPTION
MTR205	Security lock and 2 keys (RS.2 & 3 only)
MTR183	Windscreen (RS.1)
MTR206	Windscreen (RS.2 & 3)
MTR184	Spare wheel, c/w tyre and tube
MTR185	Rear luggage carrier
MTR186	Spare wheel and luggage carrier
MTR196	Foot board rubber mat
BYK644	Cover for dual-seat, Gordon Tartan (Green)
BYK645	Cover for dual-seat, Royal Stewart Tartan (Red)
BYS670	Cover for spare wheel, Gordon Tartan (Green)
BYS671	Cover for spare wheel, Royal Stewart Tartan (Red)
BYF605	Limpet scooter bag, Gordon Tartan (Green)
BYF606	Limpet scooter bag, Royal Stewart Tartan (Red)
BYG624	Pair of pannier bags and fittings, Gordon Tartan (Green)
BYG625	Pair of pannier bags and fittings, Royal Stewart Tartan (Red)
*RMM116	Touch-up enamel, small bottle
*MTR332	Touch-up enamel, ¼ pint tin

*Colour pearl grey for ROMA Scooters

SERVICE EXCHANGE PARTS

GROUP 'U'

SALES NO.		DESCRIPTION
RS.1	RS.2 & 3	
MTX121	MTX136	Engine unit, complete with magneto, but less carburettor, exhaust system, sparking plug and external ignition coil.
MTX122	MTX122	Carburettor complete with air cleaner, but less throttle control cable.
MTX123	MTX137	Crankshaft assembly, complete with small end bush.
MTX124	MTX138	Cylinder, complete with piston.
MTX125	MTX139	Stator plate, complete with coils, contact breaker and condenser, but less external ignition coil.
MTX126	MTX126	Brake shoes, relined.
MTX127	MTX140	Frame, bare.
MTX128	MTX141	Front fork, bare.
MTX152	MTX154	Rear suspension unit.
MTX153	MTX155	Front suspension unit.
MTX156	MTX157	Front apron.
MTX158	MTX160	Footboard offside.
MTX159	MTX161	Footboard nearside.
MTX162	MTX162	Rear body pressing.
MTX163	MTX163	Front mudguard.
MTX164	MTX164	Front air scoop.
MTX165	MTX165	Speedo head.

Please note the following conditions covering the above parts:-

1. The fullest details should be quoted of the model and type of machine for which the replacement unit is required.
2. This service is essentially an exchange service and only provides for the supply of a standard replacement unit in exchange for the original. It does not provide for the overhaul and return of individual units or for the supply of advance replacements.
3. We cannot undertake to return to the previous owner any component part of a displaced unit and no allowance can be made in respect of any new material which may have been fitted to the unit prior to exchange.
4. All replacement units are built to standard specifications and an extra charge will be made at the current retail price in respect of any component deficient from the displaced unit.
5. We reserve the right to make an extra charge, based on the current retail price, in respect of any major component of the displaced unit found to be damaged or broken due to accident or to be beyond repair.
6. Only units built within the limits of the standard specifications can be supplied and orders stipulating any particular or special specification cannot be accepted through the medium of this service.
7. It is helpful to remind owners of their statutory obligation to notify their local licencing authority of any change in frame or engine number which may be involved.

NUMERICAL INDEX

SALES No.	GROUP	ILLUS. No.	SALES No.	GROUP	ILLUS. No.	SALES No.	GROUP	ILLUS. No.			
BYF605	...	T	N.I.	MMB200	...	G2	23	MMB253	...	P2	24
BYF606	...	T	N.I.	MMB202	...	L1	3	MMB254	...	P1	39
				MMB202	...	L2	3	MMB254	...	P2	31
BYG624	...	T	N.I.	MMB206	...	H1	55	MMB255	...	P1	37
BYG625	...	T	N.I.	MMB206	...	H2	47	MMB255	...	P2	29
				MMB216	...	H1	9	MMB256	...	P2	13
BYK644	...	T	N.I.	MMB216	...	H2	7	MMB280	...	H2	27
BYK645	...	T	N.I.	MMB217	...	H1	16				
				MMB217	...	H2	14	MML104	...	C1	19
BYS670	...	T	N.I.	MMB218	...	H1	20	MML104	...	C2	19
BYS671	...	T	N.I.	MMB218	...	H2	18	MML104	...	G1	34
				MMB219	...	H1	28	MML104	...	G2	34
				MMB220	...	H1	28				
BZM850	...	H1	43	MMB221	...	H1	31	MMN155	...	A1	6
BZM850	...	H2	37	MMB222	...	H1	36	MMN155	...	B1	6
				MMB223	...	H1	51	MMN155	...	B2	6
MMB156	...	B1	5	MMB223	...	H2	43	MMN155	...	D1	46
MMB157	...	B1	16	MMB224	...	H2	24	MMN155	...	D2	46
MMB157	...	B1	20	MMB225	...	H2	32	MMN155	...	N1	3
MMB158	...	N1	10	MMB226	...	L1	16	MMN155	...	N1	51
MMB158	...	N2	9	MMB226	...	L2	16	MMN155	...	N2	3
MMB159	...	N1	14	MMB227	...	L1	19	MMN156	...	A1	28
MMB160	...	A2	31	MMB227	...	L2	19	MMN158	...	F2	38
MMB161	...	A2	33	MMB227	...	N1	20	MMN158	...	H1	13
MMB162	...	B2	5	MMB227	...	N2	15	MMN158	...	H2	11
MMB163	...	B2	15	MMB228	...	L1	22	MMN158	...	L1	5
MMB167	...	D1	30	MMB228	...	L2	22	MMN158	...	L1	17
MMB168	...	D1	44	MMB228	...	P1	27	MMN158	...	L2	5
MMB168	...	D2	44	MMB228	...	P2	25	MMN158	...	L2	17
MMB169	...	D2	30	MMB229	...	N1	30	MMN158	...	M1	24
MMB170	...	E1	15	MMB229	...	N2	23	MMN158	...	N1	11
MMB170	...	E2	14	MMB230	...	N1	52	MMN158	...	N1	15
MMB173	...	F1	2	MMB230	...	N2	42	MMN158	...	N1	25
MMB173	...	F2	2	MMB231	...	O1	6	MMN158	...	N2	10
MMB174	...	F1	13	MMB231	...	O2a	6	MMN159	...	A2	6
MMB174	...	F2	13	MMB231	...	O2b	6	MMN160	...	A2	27
MMB175	...	F1	29	MMB233	...	O1	11	MMN161	...	A2	28
MMB175	...	F2	29	MMB233	...	O2a	11	MMN162	...	A2	34
MMB175	...	H1	46	MMB233	...	O2b	11	MMN162	...	F1	14
MMB175	...	H2	38	MMB234	...	O1	13	MMN162	...	F1	27
MMB176	...	F1	37	MMB234	...	O2a	13	MMN162	...	F2	14
MMB176	...	F2	37	MMB234	...	O2b	13	MMN162	...	F2	27
MMB176	...	H1	10	MMB235	...	O1	18	MMN162	...	G1	14
MMB176	...	H2	8	MMB235	...	O2a	18	MMN162	...	G1	17
MMB176	...	N1	24	MMB235	...	O2b	18	MMN162	...	G2	17
MMB176	...	N1	49	MMB239	...	I1	3	MMN167	...	C1	16
MMB176	...	N2	19	MMB240	...	I1	3	MMN167	...	C1	27
MMB183	...	Q1	7	MMB241	...	I1	13	MMN167	...	C2	16
MMB183	...	Q2	7	MMB241	...	I2	13	MMN167	...	C2	27
MMB184	...	Q1	18	MMB242	...	I1	17	MMN167	...	I1	29
MMB184	...	Q2	18	MMB242	...	I2	22	MMN167	...	I2	29
MMB185	...	Q1	29	MMB243	...	I1	19	MMN168	...	D1	33
MMB185	...	Q2	29	MMB243	...	I2	19	MMN168	...	D2	33
MMB186	...	Q1	31	MMB244	...	I2	3	MMN176	...	F1	3
MMB186	...	Q2	31	MMB245	...	I2	33	MMN176	...	F2	3
MMB187	...	Q1	35	MMB246	...	I2	35	MMN176	...	N2	28
MMB187	...	Q2	35	MMB246	...	P1	N.I.	MMN177	...	F1	16
MMB188	...	Q1	42	MMB251	...	P1	14	MMN177	...	F2	16
MMB188	...	Q2	42	MMB251	...	P2	15	MMN178	...	F1	26
MMB189	...	Q1	48	MMB252	...	P1	23	MMN178	...	F2	26
MMB189	...	Q2	48	MMB252	...	P2	21	MMN178	...	G1	13
MMB200	...	G1	23	MMB253	...	P1	26	MMN178	...	G2	13

NUMERICAL INDEX

SALES No.	GROUP	ILLUS. No.	SALES No.	GROUP	ILLUS. No.	SALES No.	GROUP	ILLUS. No.			
MMN179	...	F1	38	MMW185	...	A1	20	MMW211	...	C1	10
MMN184	...	Q1	20	MMW186	...	A1	29	MMW211	...	C2	10
MMN184	...	Q2	20	MMW187	...	B1	7	MMW212	...	C1	12
MMN185	...	Q1	22	MMW187	...	B2	7	MMW212	...	C2	12
MMN185	...	Q2	22	MMW187	...	L1	18	MMW213	...	C1	17
MMN192	...	G1	24	MMW187	...	L2	18	MMW213	...	C2	17
MMN192	...	G2	24	MMW187	...	M1	11	MMW214	...	D1	8
MMN193	...	G1	29	MMW187	...	M2	11	MMW214	...	D2	8
MMN193	...	G2	29	MMW187	...	N1	4	MMW215	...	D1	18
MMN194	...	G1	36	MMW187	...	N1	12	MMW216	...	D1	18
MMN194	...	G2	36	MMW187	...	N1	43	MMW217	...	D1	24
MMN195	...	G2	14	MMW187	...	N1	55	MMW217	...	D2	24
MMN211	...	J1	3	MMW187	...	N2	11	MMW218	...	D1	32
MMN211	...	J2	3	MMW187	...	O1	19	MMW218	...	D2	32
MMN211	...	K1	3	MMW187	...	O2a	19	MMW219	...	D1	34
MMN211	...	K2	3	MMW187	...	O2b	19	MMW219	...	D2	34
MMN212	...	J1	15	MMW188	...	B2	10	MMW220	...	D1	45
MMN212	...	J2	15	MMW189	...	B1	13	MMW220	...	D2	45
MMN212	...	K1	16	MMW189	...	B2	12	MMW221	...	D2	18
MMN212	...	K2	16	MMW190	...	B1	18	MMW222	...	D2	18
MMN213	...	J1	23	MMW190	...	B2	17	MMW223	...	D2	18
MMN213	...	J2	23	MMW191	...	N1	16	MMW224	...	D2	18
MMN214	...	J1	27	MMW192	...	D1	47	MMW225	...	D2	18
MMN214	...	J2	26	MMW192	...	D2	47	MMW226	...	D2	18
MMN214	...	K1	26	MMW192	...	F1	39	MMW227	...	D2	18
MMN214	...	K2	25	MMW192	...	F2	39	MMW228	...	D2	22
MMN215	...	K1	23	MMW192	...	H1	14	MMW229	...	E1	6
MMN215	...	K2	23	MMW192	...	H2	12	MMW229	...	E2	5
MMN215	...	L1	10	MMW192	...	H2	41	MMW229	...	N2	25
MMN215	...	L2	10	MMW192	...	N1	17	MMW230	...	E1	9
MMN217	...	H1	58	MMW192	...	N1	26	MMW230	...	E2	8
MMN217	...	H2	50	MMW192	...	N2	4	MMW233	...	H1	57
MMN222	...	H1	3	MMW192	...	P1	28	MMW233	...	H2	49
MMN222	...	H2	3	MMW192	...	P2	26	MMW240	...	F1	9
MMN223	...	H1	29	MMW193	...	A2	7	MMW240	...	F2	9
MMN223	...	H2	25	MMW194	...	A2	18	MMW241	...	F1	10
MMN224	...	H1	32	MMW195	...	A2	20	MMW241	...	F2	10
MMN224	...	H2	28	MMW196	...	A2	29	MMW242	...	F2	21
MMN224	...	I1	15	MMW197	...	A2	32	MMW243	...	F1	30
MMN224	...	I2	15	MMW198	...	A2	35	MMW243	...	F2	30
MMN224	...	N1	21	MMW198	...	F1	5	MMW243	...	G1	16
MMN224	...	N2	16	MMW198	...	F2	5	MMW243	...	G2	16
MMN229	...	I1	20	MMW198	...	I1	9	MMW243	...	H1	47
MMN230	...	I2	20	MMW198	...	I1	21	MMW243	...	H2	39
MMN235	...	P1	11	MMW198	...	I2	9	MMW244	...	F1	40
MMN235	...	P2	11	MMW198	...	I2	21	MMW253	...	Q1	5
				MMW198	...	J1	16	MMW253	...	Q2	5
MMP131	...	C1	15	MMW198	...	J2	16	MMW254	...	Q1	25
MMP131	...	C2	15	MMW198	...	K1	17	MMW254	...	Q2	25
MMP152	...	I2	N.I.	MMW198	...	K2	17	MMW255	...	Q1	36
MMP153	...	M1	19	MMW198	...	N2	29	MMW255	...	Q2	36
MMP153	...	M2	19	MMW199	...	A2	36	MMW256	...	Q1	37
MMP166	...	C1	21	MMW199	...	F1	4	MMW256	...	Q2	37
MMP166	...	C2	21	MMW199	...	F2	4	MMW257	...	Q1	40
				MMW199	...	J1	4	MMW257	...	Q2	40
MMW105	...	H1	56	MMW199	...	J1	28	MMW258	...	Q1	43
MMW105	...	H2	48	MMW199	...	J2	4	MMW258	...	Q2	43
MMW183	...	A1	7	MMW199	...	J2	27	MMW259	...	N1	38
MMW183	...	B1	11	MMW199	...	K1	4	MMW259	...	N2	31
MMW183	...	N1	53	MMW199	...	K1	27	MMW260	...	N1	38
MMW183	...	N2	43	MMW199	...	K2	4	MMW260	...	N2	31
MMW184	...	A1	18	MMW199	...	K2	26	MMW261	...	N1	38

NUMERICAL INDEX

SALES No.	GROUP	ILLUS. No.	SALES No.	GROUP	ILLUS. No.	SALES No.	GROUP	ILLUS. No.			
MMW261	...	N2	31	MMW317	...	P1	N.I.	MTA220	...	B1	15
MMW267	...	G1	15	MMW318	...	O1	7	MTA221	...	B1	17
MMW267	...	G2	15	MMW318	...	O2a	7	MTA222	...	B1	19
MMW268	...	G1	21	MMW318	...	O2b	7	MTA223	...	N1	1
MMW268	...	G2	21	MMW319	...	H2	33	MTA224	...	N1	2
MMW269	...	G1	25					MTA225	...	N1	5
MMW269	...	G2	25	MTA181	...	A1	1	MTA226	...	N1	6
MMW270	...	G1	27	MTA182	...	A1	2	MTA227	...	N1	7
MMW271	...	G1	37	MTA182	...	A2	2	MTA228	...	N1	8
MMW271	...	G2	1	MTA183	...	A1	3	MTA229	...	N1	9
MMW282	...	J1	9	MTA184	...	A1	4	MTA230	...	N1	13
MMW282	...	J2	9	MTA185	...	A1	5	MTA231	...	A2	1
MMW283	...	J1	11	MTA186	...	A1	8	MTA232	...	A2	3
MMW283	...	J2	11	MTA187	...	A1	8	MTA233	...	A2	4
MMW283	...	K2	10	MTA188	...	A1	8	MTA234	...	A2	5
MMW284	...	J1	13	MTA189	...	A1	8	MTA235	...	A2	8
MMW284	...	J2	13	MTA190	...	A1	9	MTA236	...	A2	8
MMW284	...	K1	14	MTA190	...	A2	9	MTA237	...	A2	8
MMW284	...	K2	14	MTA191	...	A1	9	MTA238	...	A2	8
MMW285	...	J1	24	MTA191	...	A2	9	MTA239	...	A2	12
MMW285	...	J2	24	MTA192	...	A1	9	MTA240	...	A2	13
MMW286	...	K1	9	MTA192	...	A2	9	MTA241	...	A2	14
MMW286	...	K2	9	MTA193	...	A1	9	MTA242	...	A2	15
MMW287	...	K1	10	MTA193	...	A2	9	MTA243	...	A2	16
MMW295	...	H1	4	MTA194	...	A1	10	MTA244	...	A2	17
MMW295	...	H1	33	MTA194	...	A2	10	MTA246	...	A2	N.I.
MMW295	...	H2	4	MTA195	...	A1	11	MTA247	...	A2	30
MMW295	...	N1	22	MTA195	...	A2	11	MTA248	...	B2	1
MMW295	...	N2	17	MTA196	...	A1	12	MTA249	...	B2	2
MMW296	...	H1	11	MTA197	...	A1	13	MTA250	...	B2	4
MMW296	...	H2	9	MTA198	...	A1	14	MTA251	...	B2	8
MMW297	...	H1	12	MTA199	...	A1	15	MTA252	...	B2	13
MMW297	...	H2	10	MTA200	...	A1	16	MTA253	...	B2	14
MMW297	...	N1	54	MTA201	...	A1	17	MTA254	...	B2	16
MMW298	...	H1	21	MTA202	...	A1	19	MTA255	...	B2	18
MMW298	...	H2	19	MTA202	...	A2	19	MTA256	...	N2	1
MMW299	...	H1	48	MTA203	...	A1	21	MTA257	...	N2	2
MMW299	...	H2	40	MTA204	...	A1	22	MTA258	...	N2	5
MMW299	...	N1	32	MTA204	...	A2	21	MTA259	...	N2	6
MMW300	...	H1	49	MTA205	...	A1	23	MTA260	...	N2	7
MMW301	...	H2	29	MTA205	...	A2	22	MTA261	...	N2	8
MMW301	...	O2a	14	MTA206	...	A1	23	MTA262	...	N2	12
MMW301	...	O2b	14	MTA206	...	A2	22	MTA276	...	A2	25
MMW301	...	P2	12	MTA207	...	A1	24	MTA277	...	O1	N.I.
MMW302	...	L1	20	MTA207	...	A2	23	MTA277	...	O2a	N.I.
MMW302	...	L2	20	MTA208	...	A1	25	MTA288	...	P1	N.I.
MMW303	...	N1	31	MTA208	...	A2	24	MTA288	...	P2	N.I.
MMW303	...	N2	24	MTA209	...	A1	26				
MMW304	...	N1	50	MTA210	...	A1	27	MTB133	...	C1	1
MMW304	...	N2	41	MTA210	...	A2	26	MTB133	...	C2	1
MMW305	...	O1	15	MTA211	...	B1	1	MTB134	...	C1	2
MMW305	...	O2a	15	MTA212	...	B1	2	MTB134	...	C2	2
MMW305	...	O2b	15	MTA213	...	B1	3	MTB135	...	C1	3
MMW306	...	O1	14	MTA213	...	B2	3	MTB136	...	C1	4
MMW306	...	P1	12	MTA214	...	B1	4	MTB137	...	C1	5
MMW309	...	I1	16	MTA215	...	B1	8	MTB137	...	C2	5
MMW309	...	I2	N.I.	MTA216	...	B1	9	MTB138	...	C1	6
MMW310	...	I2	17	MTA217	...	B1	10	MTB139	...	C1	7
MMW311	...	I2	34	MTA217	...	B2	9	MTB140	...	C1	8
MMW312	...	M2	7	MTA218	...	B1	12	MTB140	...	C2	8
MMW316	...	P1	20	MTA218	...	B2	11	MTB141	...	C1	9
MMW316	...	P2	18	MTA219	...	B1	14	MTB142	...	C1	11

NUMERICAL INDEX

SALES No.	GROUP	ILLUS. No.	SALES No.	GROUP	ILLUS. No.	SALES No.	GROUP	ILLUS. No.			
MTB142	...	C2	11	MTD127	...	D2	25	MTD171	...	E2	15
MTB143	...	C1	13	MTD129	...	D1	27	MTD236	...	L1	11
MTB143	...	C2	13	MTD129	...	D2	27	MTD236	...	L2	11
MTB144	...	C1	14	MTD130	...	D1	28	MTD237	...	L1	12
MTB144	...	C2	14	MTD131	...	D1	29	MTD237	...	L2	12
MTB145	...	C1	18	MTD131	...	D2	29	MTD239	...	D2	53
MTB145	...	C2	18	MTD132	...	D1	31	MTF132	...	F1	1
MTB146	...	C1	20	MTD132	...	D2	31	MTF133	...	F1	6
MTB146	...	C2	20	MTD133	...	D1	35	MTF133	...	F2	6
MTB147	...	C2	3	MTD133	...	D2	35	MTF134	...	F1	7
MTB148	...	C2	4	MTD134	...	D1	36	MTF134	...	F2	7
MTB149	...	C2	6	MTD134	...	D2	36	MTF135	...	F1	8
MTB150	...	C2	7	MTD135	...	D1	37	MTF135	...	F2	8
MTB151	...	C2	9	MTD135	...	D2	37	MTF135	...	F1	11
MTD101	...	D1	1	MTD136	...	D1	38	MTF136	...	F2	11
MTD101	...	D2	1	MTD136	...	D2	38	MTF136	...	F1	12
MTD103	...	D1	3	MTD137	...	D1	39	MTF137	...	F2	12
MTD103	...	D2	3	MTD137	...	D2	39	MTF137	...	F1	15
MTD104	...	D1	4	MTD138	...	D1	40	MTF138	...	F2	15
MTD104	...	D2	4	MTD138	...	D2	40	MTF138	...	F1	17
MTD105	...	D1	5	MTD139	...	D1	41	MTF139	...	F2	17
MTD105	...	D2	5	MTD139	...	D2	41	MTF140	...	F1	18
MTD106	...	D1	5	MTD140	...	D1	42	MTF141	...	F2	18
MTD106	...	D2	5	MTD140	...	D2	42	MTF142	...	F1	19
MTD107	...	D1	5	MTD141	...	D1	43	MTF142	...	F2	19
MTD107	...	D2	5	MTD141	...	D2	43	MTF144	...	F1	20
MTD108	...	D1	5	MTD142	...	D1	48	MTF145	...	F2	20
MTD108	...	D2	5	MTD142	...	D2	48	MTF146	...	F1	21
MTD109	...	D1	5	MTD143	...	D1	49	MTF147	...	F2	22
MTD109	...	D2	5	MTD143	...	D2	49	MTF147	...	F1	22
MTD110	...	D1	5	MTD144	...	D1	50	MTF147	...	G2	8
MTD110	...	D2	5	MTD144	...	D2	50	MTF147	...	F1	23
MTD111	...	D1	6	MTD145	...	D1	51	MTF148	...	F2	23
MTD111	...	D2	6	MTD145	...	D2	51	MTF148	...	G1	9
MTD112	...	D1	7	MTD146	...	D1	52	MTF148	...	G2	9
MTD112	...	D2	7	MTD146	...	D2	52	MTF149	...	F1	24
MTD113	...	D1	9	MTD147	...	D1	9	MTF149	...	F2	24
MTD114	...	D1	10	MTD148	...	D2	10	MTF149	...	G1	11
MTD115	...	D1	11	MTD149	...	D2	20	MTF149	...	G2	11
MTD115	...	D2	11	MTD150	...	D2	21	MTF150	...	F1	25
MTD116	...	D1	12	MTD153	...	D2	26	MTF150	...	F2	25
MTD116	...	D2	12	MTD155	...	D2	28	MTF150	...	G1	12
MTD117	...	D1	13	MTD157	...	E1	1	MTF150	...	G2	12
MTD117	...	D2	13	MTD158	...	E2	2	MTF151	...	F1	28
MTD118	...	D1	14	MTD158	...	E1	4	MTF151	...	F2	28
MTD118	...	D2	14	MTD159	...	E2	3	MTF152	...	F1	31
MTD119	...	D1	15	MTD160	...	E1	5	MTF152	...	F2	31
MTD119	...	D2	15	MTD160	...	E2	4	MTF153	...	F1	32
MTD120	...	D1	16	MTD161	...	E1	7	MTF153	...	F2	32
MTD120	...	D2	16	MTD161	...	E2	6	MTF154	...	F1	33
MTD121	...	D1	17	MTD162	...	E1	8	MTF154	...	F2	33
MTD121	...	D2	17	MTD162	...	E2	7	MTF155	...	F1	34
MTD122	...	D1	19	MTD163	...	E1	10	MTF155	...	F2	34
MTD122	...	D2	19	MTD163	...	E2	9	MTF156	...	F1	35
MTD123	...	D1	20	MTD164	...	E1	11	MTF156	...	F2	35
MTD124	...	D1	21	MTD165	...	E1	12	MTF161	...	F1	36
MTD125	...	D1	22	MTD165	...	E2	11	MTF161	...	F2	36
MTD126	...	D1	23	MTD166	...	E1	13	MTF166	...	F2	1
MTD126	...	D2	23	MTD168	...	E2	1	MTH102	...	N2	N.I.
MTD127	...	D1	25	MTD169	...	E2	10				
				MTD170	...	E2	12				

NUMERICAL INDEX

SALES No.	GROUP	ILLUS. No.	SALES No.	GROUP	ILLUS. No.	SALES No.	GROUP	ILLUS. No.			
MTH157	...	Q1	1	MTH188	...	Q1	53	MTJ168	...	G1	35
MTH157	...	Q2	1	MTH188	...	Q2	53	MTJ168	...	G2	35
MTH158	...	Q1	3	MTH189	...	Q1	2	MTJ169	...	G1	38
MTH158	...	Q2	3	MTH189	...	Q2	2	MTJ170	...	G1	39
MTH159	...	Q1	4	MTH190	...	Q1	54	MTJ171	...	G2	3
MTH159	...	Q2	4	MTH190	...	Q2	54	MTJ172	...	G2	4
MTH160	...	Q1	6	MTH191	...	Q1	55	MTJ173	...	G2	7
MTH160	...	Q2	6	MTH191	...	Q2	55	MTJ174	...	G2	27
MTH161	...	Q1	8	MTH192	...	Q1	56	MTK206	...	J1	1
MTH161	...	Q2	8	MTH192	...	Q2	56	MTK206	...	J2	1
MTH162	...	Q1	9	MTH193	...	Q1	47	MTK206	...	K1	1
MTH162	...	Q2	9	MTH193	...	Q2	47	MTK206	...	K2	1
MTH163	...	Q1	10	MTH198	...	N1	37	MTK207	...	J1	2
MTH163	...	Q2	10	MTH198	...	N2	30	MTK207	...	J2	2
MTH164	...	Q1	11	MTH199	...	N1	39	MTK207	...	K1	2
MTH164	...	Q2	11	MTH199	...	N2	32	MTK207	...	K2	2
MTH165	...	Q1	12	MTH200	...	N1	40	MTK208	...	J1	5
MTH165	...	Q2	12	MTH200	...	N2	33	MTK208	...	J2	5
MTH166	...	Q1	13	MTH201	...	N1	41	MTK209	...	J1	6
MTH166	...	Q2	13	MTH201	...	N2	34	MTK209	...	J2	6
MTH167	...	Q1	14	MTH202	...	N1	42	MTK210	...	J1	7
MTH167	...	Q2	14	MTH202	...	N2	35	MTK210	...	J2	7
MTH168	...	Q1	15	MTH203	...	N1	44	MTK211	...	D1	2
MTH168	...	Q2	15	MTH203	...	N2	36	MTK211	...	D2	2
MTH169	...	Q1	16	MTH204	...	N1	45	MTK211	...	J1	8
MTH169	...	Q2	16	MTH204	...	N2	37	MTK211	...	J2	8
MTH170	...	Q1	17	MTH205	...	N1	46	MTK212	...	J1	10
MTH170	...	Q2	17	MTH205	...	N2	38	MTK212	...	J2	10
MTH171	...	Q1	19	MTH206	...	N1	47	MTK213	...	J1	12
MTH171	...	Q2	19	MTH206	...	N2	39	MTK213	...	J2	12
MTH172	...	Q1	21	MTJ147	...	G1	2	MTK213	...	K1	13
MTH172	...	Q2	21	MTJ147	...	G2	2	MTK213	...	K2	13
MTH173	...	Q1	23	MTJ148	...	G1	3	MTK214	...	J1	14
MTH173	...	Q2	23	MTJ149	...	G1	4	MTK214	...	J2	14
MTH174	...	Q1	24	MTJ150	...	G1	5	MTK214	...	K1	15
MTH174	...	Q2	24	MTJ150	...	G2	5	MTK214	...	K2	15
MTH175	...	Q1	26	MTJ151	...	G1	6	MTK215	...	J1	17
MTH175	...	Q2	26	MTJ151	...	G2	6	MTK215	...	J2	17
MTH176	...	Q1	27	MTJ152	...	G1	7	MTK215	...	K1	18
MTH176	...	Q2	27	MTJ155	...	G1	10	MTK215	...	K2	18
MTH177	...	Q1	28	MTJ155	...	G2	10	MTK216	...	K1	19
MTH177	...	Q2	28	MTJ158	...	G1	18	MTK217	...	J1	19
MTH178	...	Q1	30	MTJ158	...	G2	18	MTK217	...	J2	19
MTH178	...	Q2	30	MTJ159	...	G1	19	MTK217	...	K1	20
MTH179	...	Q1	32	MTJ159	...	G2	19	MTK217	...	K2	20
MTH179	...	Q2	32	MTJ160	...	G1	20	MTK218	...	J1	20
MTH180	...	Q1	33	MTJ160	...	G2	20	MTK218	...	J2	20
MTH180	...	Q2	33	MTJ161	...	G1	22	MTK219	...	J1	21
MTH181	...	Q1	34	MTJ161	...	G2	22	MTK219	...	J2	21
MTH181	...	Q2	34	MTJ162	...	G1	26	MTK219	...	R	6
MTH182	...	Q1	38	MTJ162	...	G2	26	MTK220	...	J1	22
MTH182	...	Q2	38	MTJ163	...	G1	28	MTK220	...	J2	22
MTH183	...	Q1	39	MTJ163	...	G2	28	MTK221	...	J1	25
MTH183	...	Q2	39	MTJ164	...	G1	30	MTK221	...	J2	25
MTH184	...	Q1	41	MTJ164	...	G2	30	MTK221	...	K1	24
MTH184	...	Q2	41	MTJ165	...	G1	31	MTK221	...	K2	24
MTH185	...	Q1	44	MTJ165	...	G2	31	MTK224	...	K1	6
MTH185	...	Q2	44	MTJ166	...	G1	32	MTK224	...	K2	6
MTH186	...	Q1	45	MTJ166	...	G2	32	MTK225	...	K2	5
MTH186	...	Q2	45	MTJ167	...	G1	33	MTK226	...	K1	7
MTH187	...	Q1	46	MTJ167	...	G2	33	MTK226	...	K2	7
MTH187	...	Q2	46								

NUMERICAL INDEX

SALES No.	GROUP	ILLUS. No.	SALES No.	GROUP	ILLUS. No.	SALES No.	GROUP	ILLUS. No.			
MTK227	...	K1	8	MTL226	...	H1	40	MTM109	...	O1	5
MTK227	...	K2	8	MTL226	...	H2	35	MTM109	...	O2a	5
MTK228	...	K1	11	MTL228	...	H1	50	MTM110	...	O2b	5
MTK228	...	K2	11	MTL228	...	H2	42	MTM111	...	O1	8
MTK229	...	K1	12	MTL229	...	H1	N.I.	MTM111	...	O2a	8
MTK229	...	K2	12	MTL229	...	H2	N.I.	MTM112	...	O2b	8
MTK230	...	K1	21	MTL230	...	H1	N.I.	MTM113	...	O1	9
MTK230	...	K2	21	MTL230	...	H2	N.I.	MTM113	...	O2a	9
MTK231	...	K1	22	MTL231	...	H1	N.I.	MTM114	...	O2b	9
MTK231	...	K2	22	MTL231	...	H2	N.I.	MTM115	...	O1	10
MTK232	...	K1	5	MTL232	...	H1	52	MTM115	...	O2a	10
MTK233	...	L1	1	MTL232	...	H2	44	MTM115	...	O2b	10
MTK234	...	L2	1	MTL233	...	H1	53	MTM116	...	O1	12
MTK235	...	L1	2	MTL233	...	H2	45	MTM116	...	O2a	12
MTK235	...	L2	2	MTL234	...	H1	54	MTM116	...	O2b	12
MTK236	...	L1	4	MTL234	...	H2	46	MTM117	...	O1	16
MTK236	...	L2	4	MTL235	...	H2	2	MTM117	...	O2a	16
MTK237	...	L1	6	MTL236	...	H2	13	MTM117	...	O2b	16
MTK237	...	L2	6	MTL237	...	H2	20	MTM118	...	O1	17
MTK238	...	L1	7	MTL238	...	H2	21	MTM118	...	O2a	17
MTK238	...	L2	7	MTL239	...	H2	22	MTM118	...	O2b	17
MTK239	...	L1	8	MTL240	...	H2	22	MTM119	...	O1	20
MTK239	...	L2	8	MTL241	...	H2	23	MTM119	...	O2a	20
MTK240	...	L1	9	MTL242	...	H2	30	MTM119	...	O2b	20
MTK240	...	L2	9	MTL244	...	H2	36	MTM120	...	O1	21
				MTL247	...	L1	14	MTM120	...	O2a	21
MTL200	...	H1	1	MTL247	...	L2	14	MTM120	...	O2b	21
MTL201	...	H1	2	MTL248	...	L1	15	MTM121	...	O1	22
MTL202	...	H1	7	MTL248	...	L2	15	MTM121	...	O2a	22
MTL202	...	H2	5	MTL249	...	L1	13	MTM121	...	O2b	22
MTL203	...	H1	8	MTL249	...	L2	13	MTM122	...	O1	24
MTL203	...	H2	6	MTL250	...	L2	21	MTM122	...	O2a	23
MTL205	...	H1	17	MTL251	...	L1	21	MTM122	...	O2b	23
MTL205	...	H2	15	MTL252	...	N1	18	MTM123	...	O1	25
MTL206	...	H1	18	MTL252	...	N2	13	MTM123	...	O2a	24
MTL206	...	H2	16	MTL254	...	N1	23	MTM123	...	O2b	24
MTL207	...	H1	19	MTL254	...	N2	18	MTM124	...	O1	26
MTL207	...	H2	17	MTL255	...	N1	27	MTM124	...	O2a	25
MTL208	...	H1	22	MTL255	...	N2	20	MTM125	...	O1	27
MTL209	...	H1	23	MTL256	...	N1	28	MTM125	...	O2a	26
MTL210	...	H1	24	MTL256	...	N2	21	MTM126	...	O2b	25
MTL211	...	H1	24	MTL257	...	N1	29	MTM160	...	O1	1
MTL212	...	H1	24	MTL257	...	N2	22	MTM161	...	O1	2
MTL213	...	H1	25	MTL258	...	N1	33	MTM162	...	O2a	2
MTL214	...	H1	26	MTL259	...	N1	34	MTM163	...	O2a	1
MTL215	...	H1	26	MTL259	...	N2	27				
MTL216	...	H1	27	MTL260	...	N1	48	MTN141	...	C1	22
MTL217	...	H1	27	MTL260	...	N2	40	MTN141	...	C2	22
MTL218	...	H1	30	MTL261	...	N1	19	MTN142	...	C1	23
MTL218	...	H2	26	MTL261	...	N2	14	MTN142	...	C2	23
MTL219	...	H1	34	MTL262	...	N2	26	MTN143	...	C1	24
MTL220	...	H1	35	MTL263	...	N2	44	MTN143	...	C2	24
MTL220	...	H2	31	MTL274	...	H2	1	MTN143	...	I1	27
MTL221	...	H1	37					MTN143	...	I2	27
MTL222	...	H1	38	MTM102	...	O2b	1	MTN143	...	M1	3
MTL222	...	H2	34	MTM104	...	O2b	2	MTN143	...	M2	3
MTL223	...	H1	N.I.	MTM105	...	O1	3	MTN143	...	M2	16
MTL223	...	H2	N.I.	MTM105	...	O2a	3	MTN143	...	Q1	51
MTL224	...	H1	N.I.	MTM106	...	O2b	3	MTN143	...	O2	51
MTL224	...	H2	N.I.	MTM107	...	O1	4	MTN144	...	C1	25
MTL225	...	H1	N.I.	MTM107	...	O2a	4	MTN144	...	C2	25
MTL225	...	H2	N.I.	MTM108	...	O2b	4	MTN144	...	M1	4

NUMERICAL INDEX

SALES No.	GROUP	ILLUS. No.	SALES No.	GROUP	ILLUS. No.	SALES No.	GROUP	ILLUS. No.			
MTN144	...	M2	4	MTN183	...	M1	10	MTP181	...	P1	35
MTN145	...	C1	26	MTN183	...	M2	10	MTP182	...	P1	38
MTN148	...	C1	29	MTN184	...	M1	9	MTP182	...	P2	30
MTN148	...	C2	29	MTN184	...	M2	9	MTP183	...	P1	36
MTN149	...	C1	30	MTN185	...	M1	12	MTP183	...	P2	28
MTN149	...	C2	30	MTN185	...	M2	12	MTP184	...	P1	40
MTN149	...	I1	31	MTN186	...	M1	13	MTP184	...	P2	32
MTN149	...	I2	31	MTN186	...	M2	13	MTP185	...	P1	41
MTN149	...	Q1	52	MTN187	...	M1	14	MTP185	...	P2	33
MTN149	...	Q2	52	MTN187	...	M2	14	MTP186	...	P1	42
MTN150	...	I1	1	MTN188	...	M1	15	MTP186	...	P2	34
MTN151	...	I1	2	MTN188	...	M2	15	MTP187	...	P1	43
MTN152	...	I1	4	MTN189	...	M1	16	MTP187	...	P2	35
MTN153	...	I1	5	MTN190	...	M1	17	MTP188	...	P1	N.I.
MTN153	...	I2	5	MTN190	...	M2	17	MTP188	...	P2	N.I.
MTN154	...	I1	6	MTN191	...	M1	18	MTP189	...	P2	1
MTN155	...	I1	7	MTN191	...	M2	18	MTP190	...	P2	2
MTN155	...	I2	7	MTN192	...	M1	22	MTP191	...	P2	27
MTN156	...	I1	8	MTN192	...	M2	20				
MTN157	...	I1	10	MTN193	...	M1	23	MTR153	...	R	1
MTN157	...	I2	10	MTN194	...	M2	5	MTR154	...	R	2
MTN158	...	I1	11	MTN195	...	M2	8	MTR155	...	R	3
MTN158	...	I1	12	MTN197	...	Q1	49	MTR156	...	R	N.I.
MTN158	...	I2	11	MTN197	...	Q2	49	MTR157	...	R	N.I.
MTN158	...	I2	12	MTN198	...	Q1	50	MTR158	...	R	4
MTN159	...	I1	14	MTN198	...	Q2	50	MTR159	...	R	5
MTN159	...	I2	14	MTN246	...	I2	11/12	MTR161	...	R	7
MTN160	...	I1	18	MTN247	...	I2	4	MTR162	...	R	8
MTN160	...	I2	18	MTN248	...	I2	6	MTR163	...	R	9
MTN161	...	I1	22					MTR164	...	R	10
MTN162	...	I1	23	MTP164	...	P1	1	MTR165	...	R	11
MTN162	...	I2	23	MTP165	...	P1	2	MTR166	...	R	12
MTN163	...	I1	24	MTP166	...	P1	3	MTR167	...	R	13
MTN163	...	I2	24	MTP166	...	P2	3	MTR168	...	R	13
MTN164	...	I1	25	MTP167	...	P1	4	MTR169	...	R	14
MTN164	...	I2	25	MTP167	...	P2	4	MTR170	...	R	14
MTN165	...	I1	26	MTP168	...	P1	5	MTR171	...	R	15
MTN165	...	I2	26	MTP168	...	P2	5	MTR172	...	R	N.I.
MTN167	...	C2	26	MTP169	...	P1	6	MTR173	...	R	N.I.
MTN167	...	I1	28	MTP169	...	P2	6	MTR174	...	S	N.I.
MTN167	...	I2	28	MTP170	...	P1	7	MTR175	...	S	N.I.
MTN168	...	C1	28	MTP170	...	P2	7	MTR176	...	S	N.I.
MTN168	...	C2	28	MTP171	...	P1	8	MTR178	...	S	N.I.
MTN168	...	I1	30	MTP171	...	P2	8	MTR179	...	S	N.I.
MTN168	...	I2	30	MTP172	...	P1	9	MTR180	...	S	N.I.
MTN169	...	I1	32	MTP172	...	P2	9	MTR181	...	S	N.I.
MTN170	...	I2	1	MTP173	...	P1	10	MTR182	...	S	N.I.
MTN171	...	I2	2	MTP173	...	P2	10	MTR183	...	T	N.I.
MTN172	...	I2	4	MTP174	...	P1	13	MTR184	...	T	N.I.
MTN173	...	I2	6	MTP174	...	P2	14	MTR185	...	T	N.I.
MTN174	...	I2	8	MTP175	...	P1	18	MTR186	...	T	N.I.
MTN175	...	I2	16	MTP175	...	P2	16	MTR196	...	T	N.I.
MTN176	...	I2	32	MTP176	...	P1	19	MTR200	...	R	N.I.
MTN177	...	M1	1	MTP176	...	P2	17	MTR201	...	R	N.I.
MTN177	...	M2	1	MTP177	...	P1	21	MTR203	...	S	N.I.
MTN178	...	M1	2	MTP177	...	P2	19	MTR205	...	T	N.I.
MTN178	...	M2	2	MTP178	...	P1	22	MTR206	...	T	N.I.
MTN181	...	M1	5	MTP178	...	P2	20	MTR221	...	S	N.I.
MTN182	...	E1	14	MTP179	...	P1	24	MTR332	...	T	N.I.
MTN182	...	E2	13	MTP179	...	P2	22	MTX121	...	U	N.I.
MTN182	...	M1	6	MTP180	...	P1	25	MTX122	...	U	N.I.
MTN182	...	M2	6	MTP180	...	P2	23	MTX123	...	U	N.I.

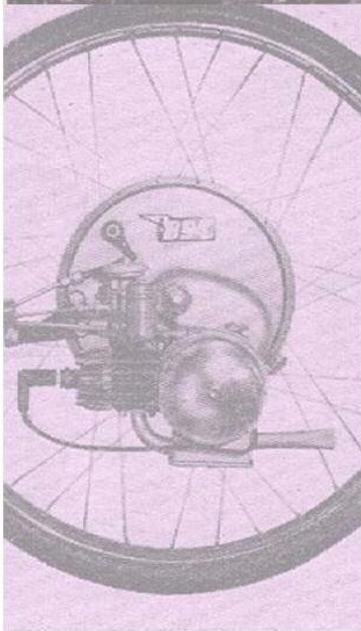
NUMERICAL INDEX

SALES No.	GROUP	ILLUS. No.	SALES No.	GROUP	ILLUS. No.	SALES No.	GROUP	ILLUS. No.
MTX124	...	U	MTX140	...	U	MTX159	...	U
MTX125	...	UU	MTX141	...	UUU	MTX160	...	UU
MTX126	...	UUU	MTX152	...	UUUU	MTX161	...	UUUU
MTX127	...	UUUU	MTX153	...	UUUUU	MTX162	...	UUUUU
MTX128	...	UUUUU	MTX154	...	UUUUUU	MTX163	...	UUUUU
MTX136	...	N.I.	MTX155	...	UUUUUU	MTX164	...	UUUUU
MTX137	...	N.I.	MTX156	...	UUUUUU	MTX165	...	UUUUU
MTX138	...	N.I.	MTX157	...	UUUUUU			
MTX139	...	UU	MTX158	...	UUUUUU	RMM116	...	T
		N.I.			N.I.			N.I.

LIBRARY INDEX

NO.	AUTHOR	TITLE	YEAR	CLASS
101	SMITH, J.	THE HISTORY OF THE UNITED STATES	1789	973.05
102	WATSON, J.	THE HISTORY OF THE UNITED STATES	1789	973.05
103	WATSON, J.	THE HISTORY OF THE UNITED STATES	1789	973.05
104	WATSON, J.	THE HISTORY OF THE UNITED STATES	1789	973.05
105	WATSON, J.	THE HISTORY OF THE UNITED STATES	1789	973.05
106	WATSON, J.	THE HISTORY OF THE UNITED STATES	1789	973.05
107	WATSON, J.	THE HISTORY OF THE UNITED STATES	1789	973.05
108	WATSON, J.	THE HISTORY OF THE UNITED STATES	1789	973.05
109	WATSON, J.	THE HISTORY OF THE UNITED STATES	1789	973.05
110	WATSON, J.	THE HISTORY OF THE UNITED STATES	1789	973.05

IceniCAM Information Service



www.icenicam.org.uk