

NEW

***RALEIGH***

***Automatic***

**MK II**

**MOPED**

**MODEL RM8**

**SPARE PARTS LIST**

**PRICE 5/-**

***RALEIGH***

***Automatic***

**MK II**

**MOPED**

**MODEL RM8**

**SPARE PARTS LIST**

## **RALEIGH INDUSTRIES LIMITED**

Motorised Division Service Department,  
Lenton Boulevard,  
NOTTINGHAM.

Telephone: Nottingham 77761

Telegrams: Ralind Nottingham

Telex Nottingham 37681

### **IMPORTANT NOTICE**

The component parts in this list are identified by a new type of sales number which should be quoted on all orders. To assist our Dealers checking in their spare parts stock for items already in use on other models, the master price list issued with this handbook contains both the old seven figure numbers and the new sales numbers in conversion order.

# CONTENTS

	Group	Page
Engine and exhaust ... ..	A	4
Automatic clutch ... ..	B	8
Carburettor and Fuel Tap ... ..	C	10
Flywheel magneto ... ..	D	12
Transmission ... ..	E	14
Telescopic fork and steering head bearings ... ..	F	16
Frame, fuel tank and mudguards ... ..	G	18
Front wheel ... ..	H	20
Rear wheel ... ..	I	22
Handlebars and control cables ... ..	J	24
Lighting and electric horn ... ..	K	26
Tools ... ..	L	28
Accessories ... ..	M	28
Service exchange ... ..	N	29
Numerical index ... ..	—	30

## INSTRUCTIONS FOR ORDERING

It is essential that the following information is provided with every order for spare parts:—

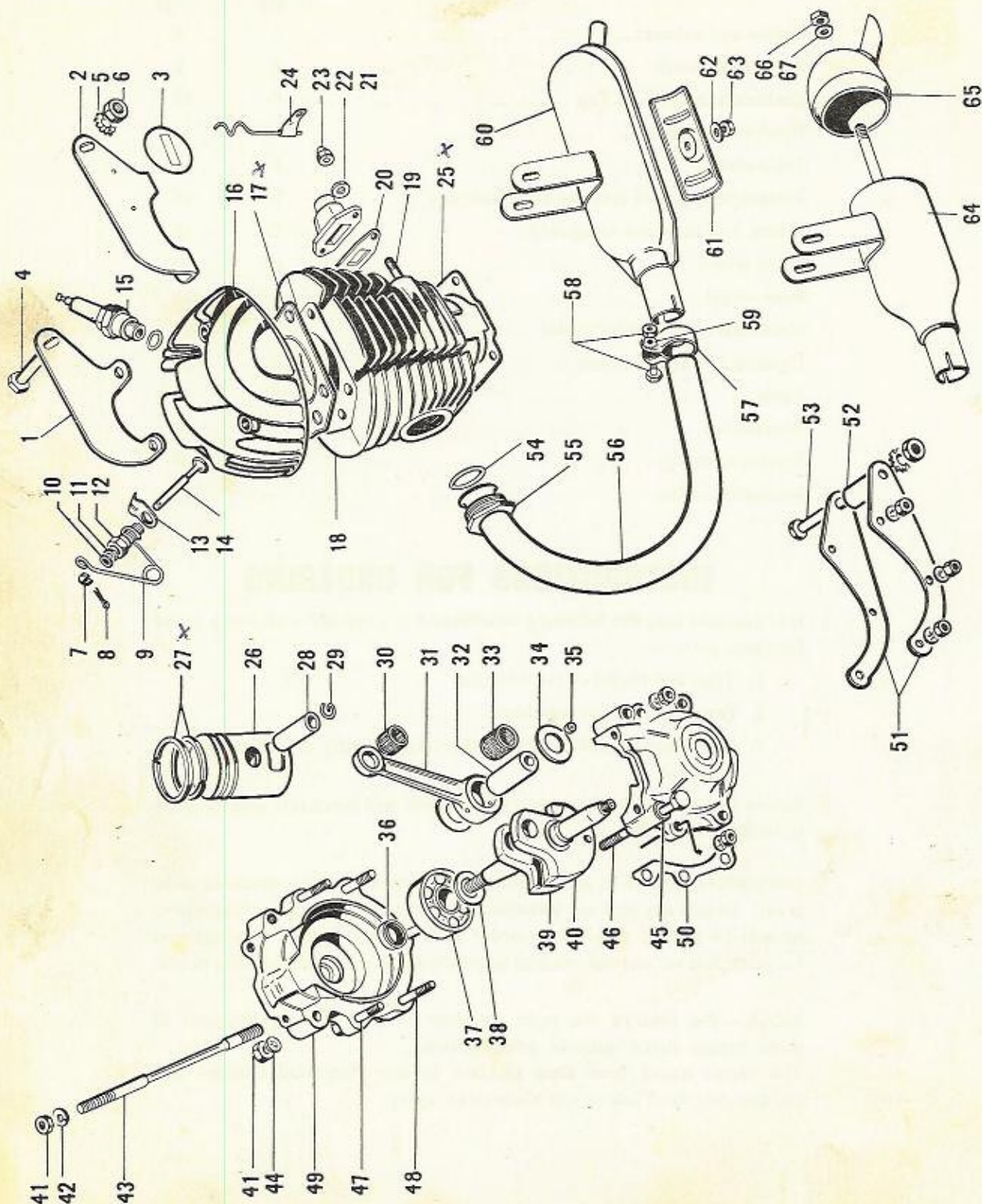
1. Type and Model of the machine
2. Frame and Engine numbers
3. Part number, description, colour and quantity of each spare part required.

Failure to provide this necessary information will inevitably lead to delay in fulfilling the order.

Every effort is made to ensure that spare parts are readily available in all areas. Should any part not be immediately available from your local agent, he will be pleased to place an order with Raleigh Service Headquarters for you. It is not normal practice to supply spare parts direct to the public.

NOTE.—We reserve the right to alter or vary the specifications of parts herein listed without prior notice.

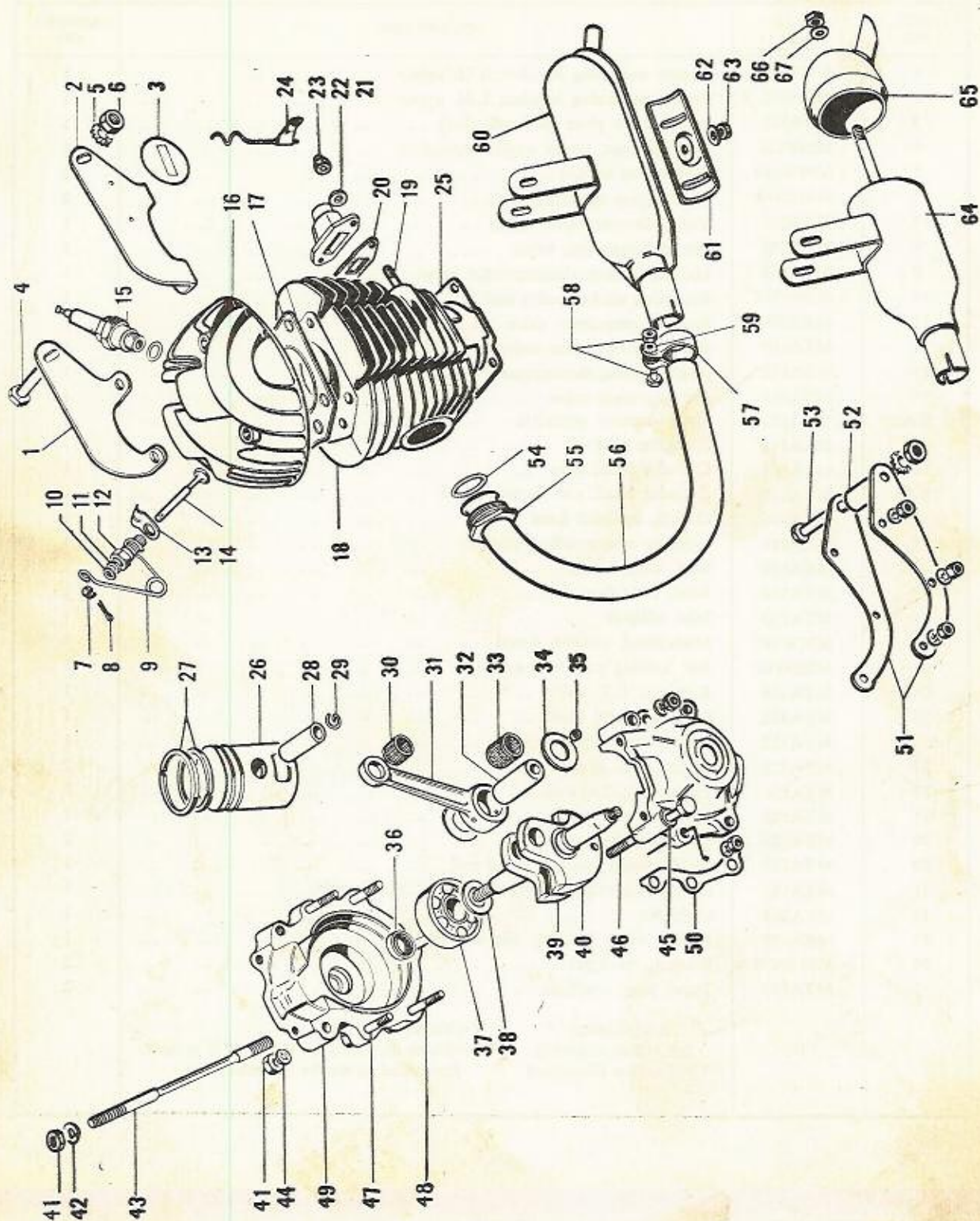
The terms issued from time to time by our Motorised Division and the Conditions of Sale in our Guarantee apply.



ILLUS. NO.	SALES NO.	DESCRIPTION	NUMBER OFF
1	MTA101	Engine mounting bracket, R.H. upper ... ..	1
2	MTA102	Engine mounting bracket, L.H. upper ... ..	1
3	MTA176	Engine type plate (self adhesive) ... ..	1
4	MMP128	Bolt and nut, upper engine mounting ... ..	1
5	MMW164	Shakeproof washer ... ..	2
6	MMN146	Nut, engine mounting bolt ... ..	2
7	MTA105	Yoke, decompressor valve ... ..	1
8	MTA106	Pin, decompressor valve ... ..	1
9	MTA107	Hairpin spring, decompressor valve ... ..	1
10	MMW165	Retaining washer, valve seal ... ..	1
11	MTA108	Seal, decompressor valve ... ..	1
12	MTA109	Body, decompressor valve ... ..	1
13	MTA110	Anchor plate, decompressor cable ... ..	1
14	MTA111	Decompressor valve ... ..	1
S.A.	MTA112	Decompressor complete ... ..	1
15	MTA113	Sparking plug ... ..	1
16	MTA114	Cylinder head, bare ... ..	1
S.A.	MTA115	Cylinder head, c/w decompressor ... ..	1
17	MTA116	Gasket, cylinder head ... ..	1
18	MTA117	Cylinder c/w matched piston ... ..	1
19	MTA118	Stud, inlet flange ... ..	2
20	MTA119	Joint, inlet flange ... ..	1
21	MTA120	Inlet adaptor ... ..	1
22	MMW181	Shakeproof washer, 6 mm. ... ..	2
23	MMN147	Self locking nut, 6 x 1 mm. ... ..	2
24	MTA284	Retainer, L.T. cable ... ..	1
25	MTA121	Joint, cylinder base ... ..	1
*26	MTA122	Piston assembly complete ... ..	1
27	MTA123	Piston ring, 39 mm. ... ..	2
27	MTA124	Piston ring, 39.1 mm. ... ..	2
28	MTA125	Gudgeon pin ... ..	1
29	MTA126	Circlip, gudgeon pin ... ..	2
30	MTA127	Needle roller bearing, small end ... ..	1
31	MTA158	Connecting rod assembly (Parts No. 28, 30 to 34) ... ..	1
32	MTA263	Crankpin ... ..	1
33	MTA159	Needle roller bearing, big end ... ..	1
34	MMW176	Washer, crankpin ... ..	2
35	MTA130	Taper plug, crankpin ... ..	2

$\phi$  = Diameter  
 S.A. = Sub assembly  
 N.I. = Not illustrated

V = Varies  
 \* = Piston can only be supplied if cylinder forwarded to works for matching



ILLUS. NO.	SALES NO.	DESCRIPTION	NUMBER OFF
36	MTA131	Oil seal, crankshaft ... ..	2
37	MTA132	Ball journal bearing, crankshaft ... ..	2
38	MMW168	Shim washer, crankshaft, 0.1 mm. ... ..	V
38	MMW169	Shim washer, crankshaft, 0.2 mm. ... ..	V
38	MMW170	Shim washer, crankshaft, 0.3 mm. ... ..	V
39	MTA267	Crankshaft half, magneto side ... ..	1
40	MTA268	Crankshaft half, clutch side ... ..	1
S.A.	MTA269	Crankshaft assembly c/w nuts ... ..	1
41	MMN148	Nut, $\phi$ 7 mm $\times$ 1 mm. ... ..	9
42	MMW171	Spring washer, $\phi$ 7 mm. ... ..	4
43	MTA134	Cylinder stud ... ..	4
44	MMW172	Shakeproof washer, $\phi$ 7 mm. ... ..	7
45	MMW173	Plain washer, $\phi$ 7 mm. ... ..	1
46	MMB145	Crankcase bolt, 7 $\times$ 1.25 $\times$ 45 mm. ... ..	2
47	MMB146	Crankcase bolt, 7 $\times$ 1 $\times$ 30 mm ... ..	2
48	MMB147	Crankcase bolt, 7 $\times$ 1 $\times$ 47 mm. ... ..	3
49	MTA135	Crankcase halves (pair only) ... ..	1
50	MTA136	Joint crankcase ... ..	1
51	MTA137	Engine, mounting plates (lower) ... ..	2
52	MTA138	Spacer, mounting plate ... ..	1
53	MMP129	Bolt and nut, lower engine mounting ... ..	1
54	MTA139	Gasket, exhaust pipe ... ..	1
55	MMN149	Nut, exhaust pipe ... ..	1
56	MTA140	Exhaust pipe ... ..	1
57	MTA141	Clip, exhaust pipe ... ..	1
58	MMP130	Bolt and nut, exhaust pipe clip ... ..	1
59	MMW266	Shakeproof washer, $\phi$ 6 mm. ... ..	1
60	MTA142	Silencer complete (Parts No. 60 to 63) ... ..	1
61	MTA143	Access plate, silencer ... ..	1
62	MMW174	Washer, access plate ... ..	1
63	MMN150	Nut, $\phi$ 6 mm. ... ..	1
S.A.	MTA285	Silencer complete (Burgess Parts No. 64 to 67) ... ..	1
64	MTA286	Silencer body ... ..	1
65	MTA287	End cap, silencer ... ..	1
66	MMN189	Locking nut ... ..	1
67	MMW101	Plain washer ... ..	1
N.I.	MTA144	Set of engine joints and gaskets ... ..	1
N.I.	MTA145	Cylinder shim, 0.2 mm. ... ..	V
N.I.	MTA146	Cylinder shim, 0.4 mm. ... ..	V

 $\phi$  = Diameter

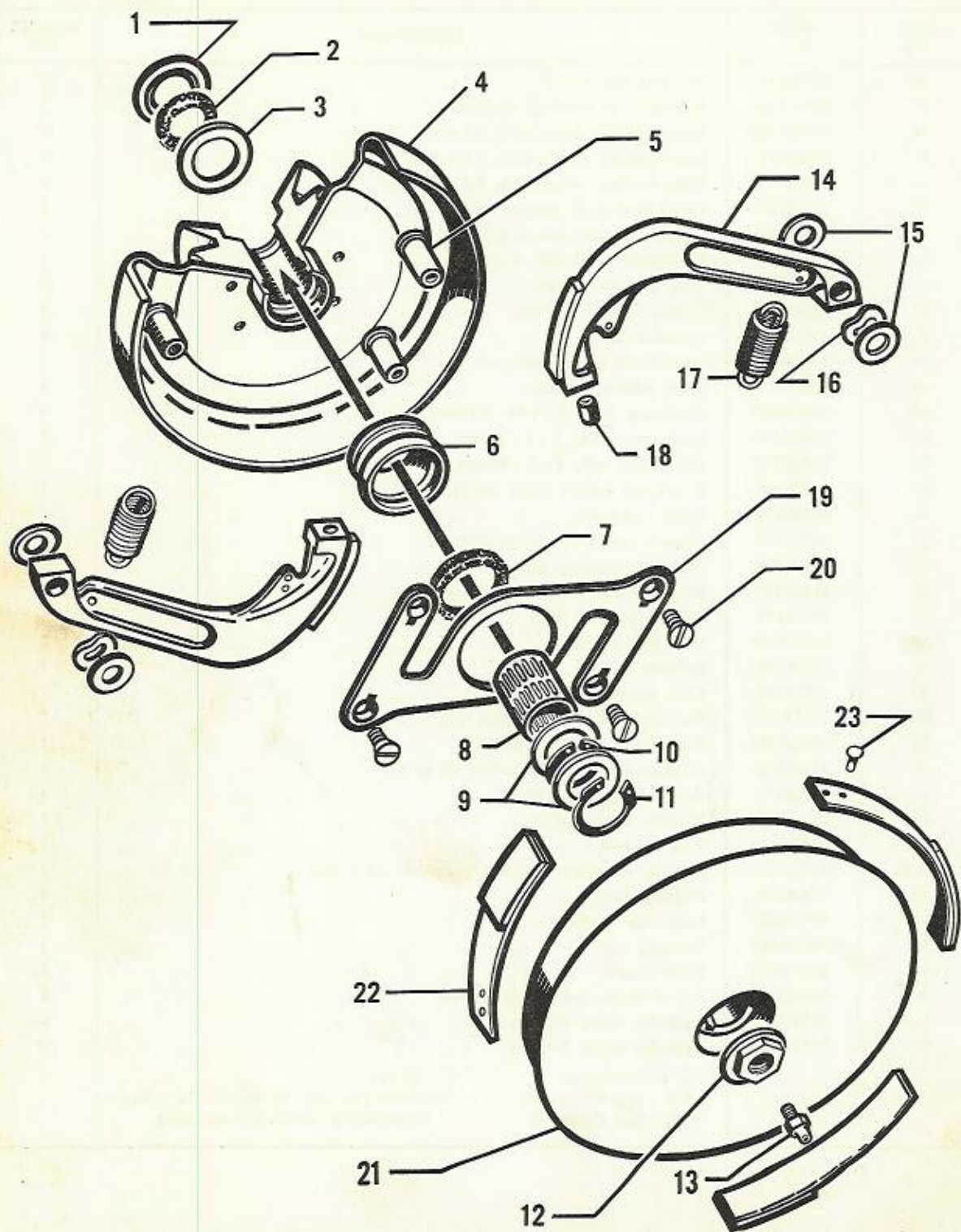
V = Varies

N.I. = Not illustrated

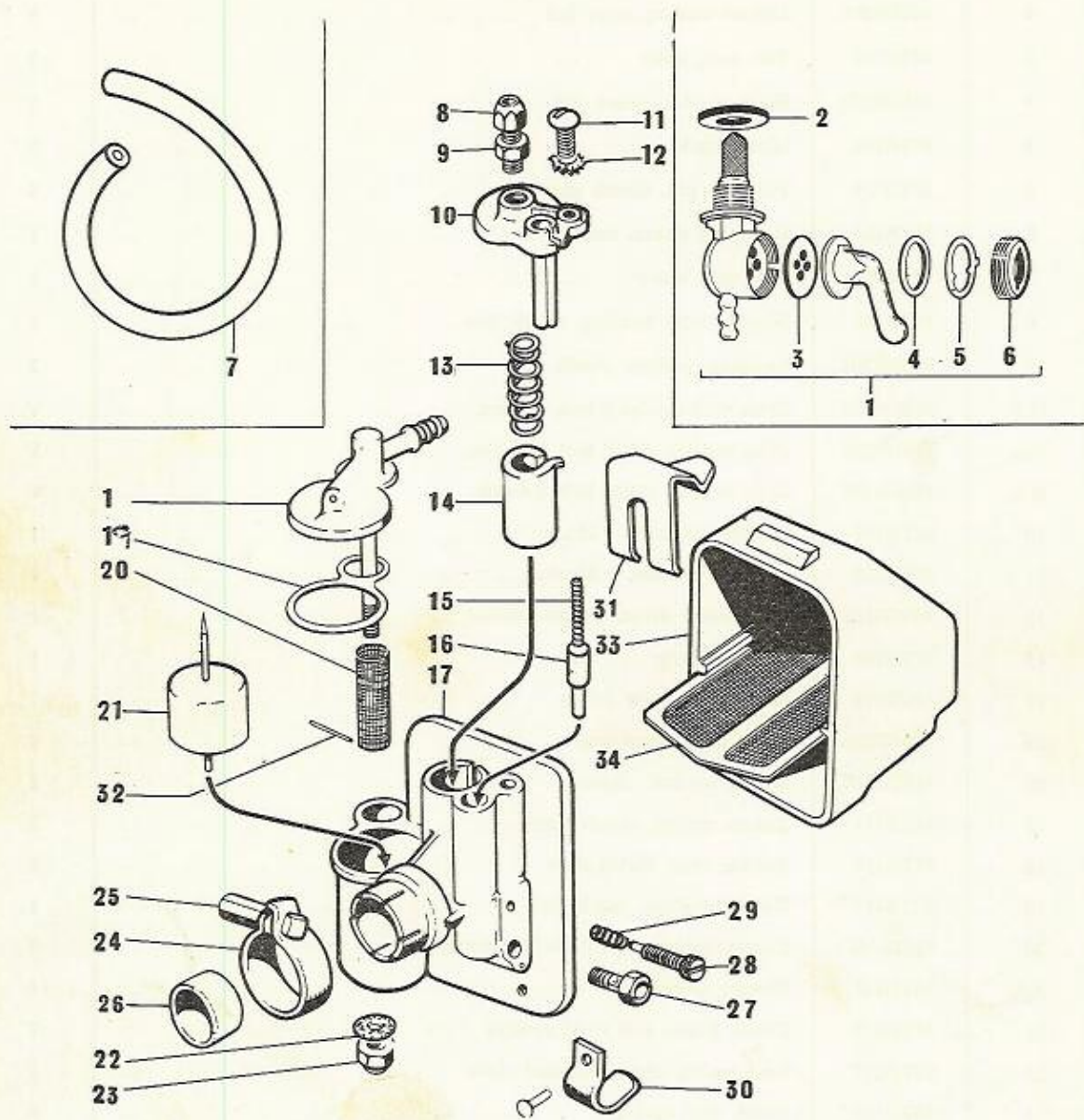
\* = Piston can only be supplied if cylinder forwarded to works for matching

S.A. = Sub Assembly



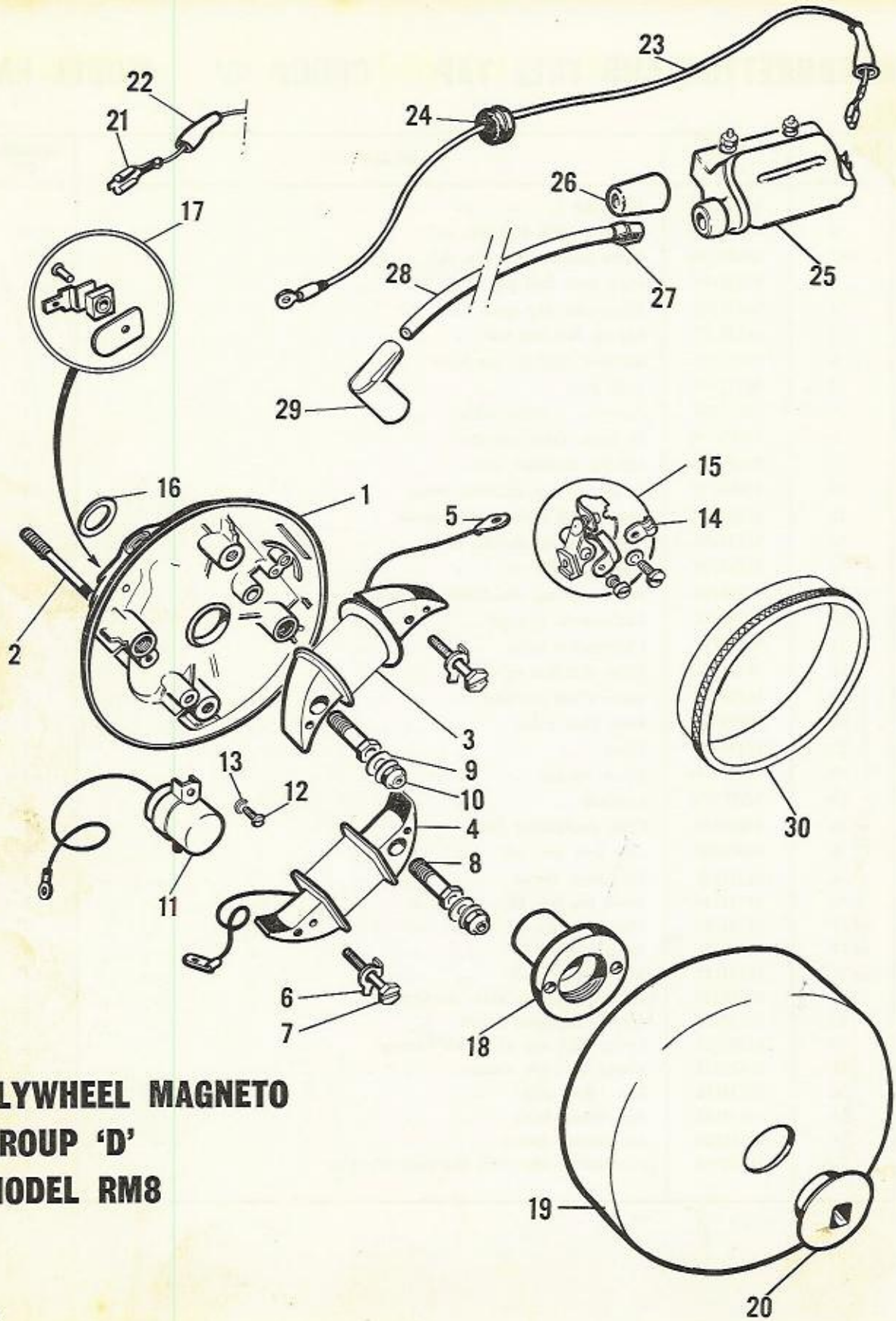


ILLUS. NO.	SALES NO.	DESCRIPTION	NUMBER OFF
1	MMW200	Dished washer, inner felt ... ..	1
2	MTB101	Felt seal, inner ... ..	1
3	MMW201	Plain washer, inner felt ... ..	1
4	MTB102	Clutch hub ... ..	1
5	MTB103	Fulcrum pin, clutch shoe ... ..	4
6	MTB104	Retaining sleeve, outer felt ... ..	1
7	MTB105	Felt seal, outer ... ..	1
8	MTB106	Needle roller bearing, clutch hub ... ..	1
9	MMW202	Locating washer, clutch hub ... ..	2
N.I.	MMW203	Shim washer, clutch hub, 0.1 mm. ... ..	V
N.I.	MMW204	Shim washer, clutch hub, 0.25 mm. ... ..	V
N.I.	MMW205	Shim washer, clutch hub, 0.4 mm. ... ..	V
10	MTB107	Circlip, external, $\phi$ 15 mm. ... ..	1
11	MTB108	Circlip, internal, $\phi$ 22 mm. ... ..	1
12	MMN166	Nut, clutch drum, 11 mm. thread ... ..	1
13	MTB109	Grease nipple ... ..	1
14	MTB110	Clutch shoe, c/w lining ... ..	2
15	MMW206	Plain washer, $\phi$ 8 mm. ... ..	4
16	MMW207	Spring washer, curved ... ..	2
17	MTB111	Return spring, clutch shoe ... ..	2
18	MTB112	Rubber stop, clutch shoe ... ..	2
19	MTB113	Retaining plate, clutch shoe ... ..	1
20	MMB164	Countersunk screw, $4 \times 0.75 \times 10$ mm. ... ..	4
S.A.	MTB132	Clutch, complete ... ..	1
21	MTB116	Clutch drum, c/w lined springs ... ..	1
22	MTB117	Leaf spring, c/w lining and rivets ... ..	3
23	MTB118	Rivet, leaf spring ... ..	6
N.I.	MTB119	Key, clutch drum ... .. $\phi$ = Diameter	1



# CARBURETTOR AND FUEL TAP      GROUP 'C'      MODEL RM8

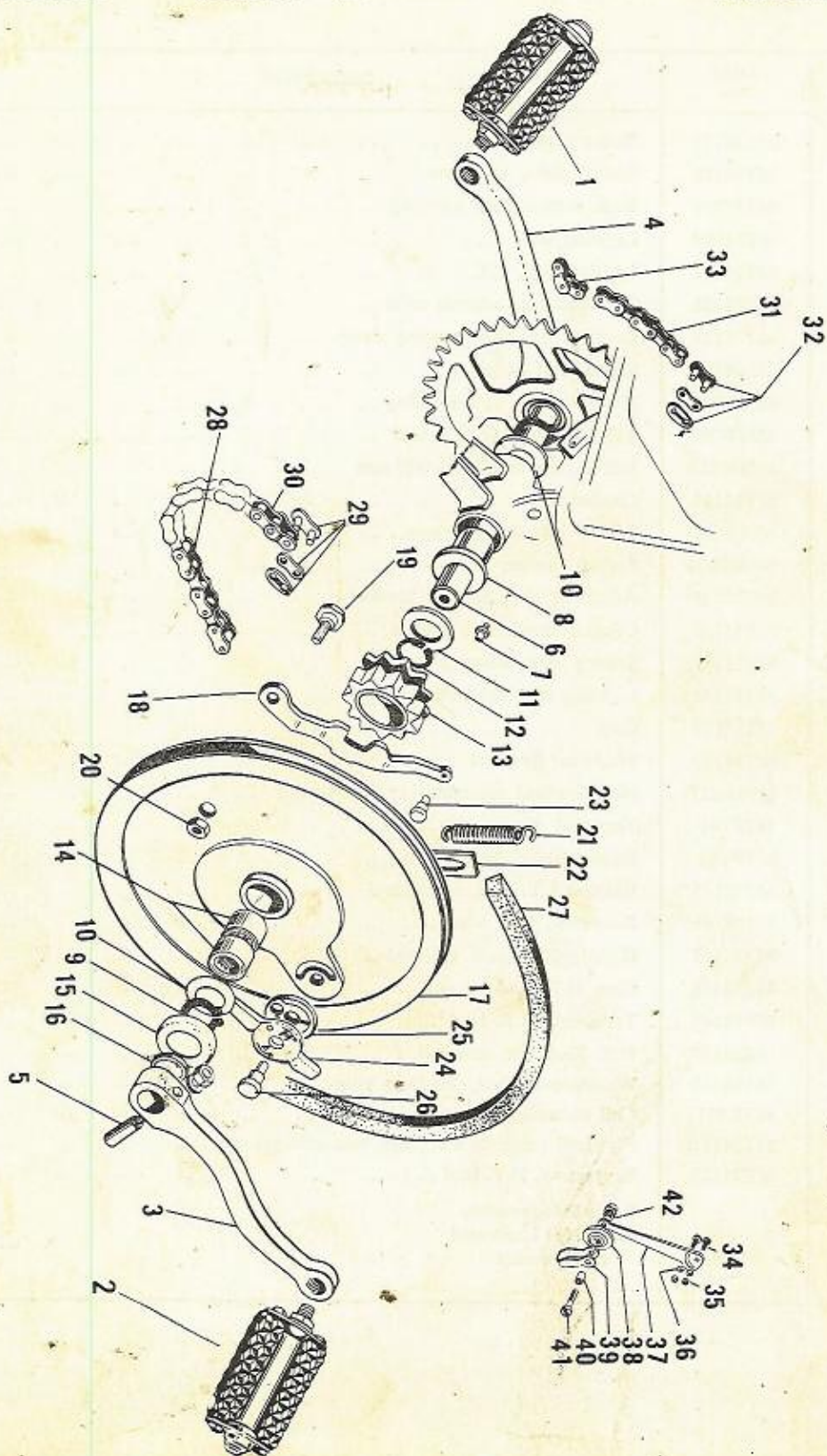
ILLUS. NO.	SALES NO.	DESCRIPTION	NUMBER OFF
1	MTH217	Fuel tap ... ..	1
2	MMW245	Fibre washer, fuel tap, $\frac{1}{8}$ " ... ..	V
or 2	MMW246	Fibre washer, fuel tap, $\frac{3}{8}$ " ... ..	V
3	MTH195	Cork seal, fuel tap ... ..	1
4	MTH196	Fibre seal, tap lever ... ..	1
5	MTH197	Spring, fuel tap seal ... ..	1
6	MTL270	Screwed retainer, tap lever ... ..	1
7	MTH216	Fuel pipe ... ..	1
8	MTH106	Adjuster, throttle cable ... ..	1
9	MMN180	Locknut, cable adjuster ... ..	1
10	MTH107	Mixing chamber cover ... ..	1
11	MMB177	Screw, mixing chamber cover ... ..	1
12	MMW247	Shakeproof washer, cover screw ... ..	1
13	MTH108	Return spring, throttle slide ... ..	1
14	MTH109	Throttle slide ... ..	1
15	MTH110	Return spring, enrichment plunger ... ..	1
16	MTH111	Enrichment plunger ... ..	1
17	MTH112	Carburettor body ... ..	1
18	MTH113	Float chamber cover ... ..	1
19	MTH114	Joint, Float chamber ... ..	1
20	MTH115	Fuel filter gauze ... ..	1
21	MTH116	Float ... ..	1
22	MMW248	Fibre washer ... ..	1
23	MMN181	Cap nut ... ..	1
24	MTH117	Clip, carburettor stub ... ..	1
25	MMP142	Clip bolt, c/w nut ... ..	1
26	MTH118	Insulating sleeve ... ..	1
27	MTH119	Main jet, No. 18 ... ..	1
or 27	MTH120	Main jet, No. 19 ... ..	1
or 27	MTH121	Main jet, No. 20 ... ..	1
or 27	MTH122	Main jet, No. 21 ... ..	1
28	MMB178	Adjusting screw, slow running ... ..	1
29	MTH123	Spring, adjusting screw ... ..	1
30	MTH124	Lower clip, c/w rivet, air cleaner ... ..	1
31	MTH125	Upper clip, air cleaner ... ..	1
32	MTH126	Pin, upper clip ... ..	1
33	MTH127	Air cleaner body ... ..	1
34	MTH128	Air cleaner gauze ... ..	1
S.A.	MTH129	Carburettor complete, less control cables ... ..	1



**FLYWHEEL MAGNETO  
GROUP 'D'  
MODEL RM8**

ILLUS. NO.	SALES NO.	DESCRIPTION	NUMBER OFF
1	MTM157	Stator plate, bare ... ..	1
S.A.	MTM158	Stator plate, complete ... ..	1
2	MTM129	Stud, stator plate securing ... ..	2
3	MTM130	Lighting coil ... ..	1
4	MTM131	Ignition coil, L.T. ... ..	1
5	MTM132	Terminal tag, internal coils ... ..	2
6	MTM133	Locking tab, coil securing screw ... ..	2
7	MMB236	Screw, coil securing ... ..	2
8	MMB237	Hollow screw, coil securing ... ..	2
9	MMW307	Belleville washer, $\phi$ 5 mm. ... ..	4
10	MMN226	Self-locking nut, $\phi$ 5 $\times$ 0.75 mm ... ..	2
11	MTM134	Condenser ... ..	1
12	MMB238	Screw, $\phi$ 4 $\times$ 0.75 $\times$ 10 mm. ... ..	4
13	MMW308	Spring washer, $\phi$ 4 mm. ... ..	4
14	MTM135	Adjusting clip, contact breaker ... ..	1
15	MTM136	Contact breaker, complete ... ..	1
16	MTM137	Sealing ring, stator plate ... ..	1
17	MTM138	Lighting terminal, complete ... ..	1
18	MTM139	Cam ... ..	1
19	MTM159	Magneto flywheel ... ..	1
20	MMN227	Nut, flywheel retaining, 11 mm. thread ... ..	1
21	MTP161	Terminal tag ... ..	2
22	MTP162	Plastic cover, terminal tag ... ..	2
23	MTM143	Ignition L.T. lead, complete ... ..	1
24	MTM144	Grommet, L.T. wire ... ..	1
25	MTM145	H.T. ignition coil, external ... ..	1
26	MTM146	Cap, H.T. lead to coil ... ..	1
27	MTM147	Terminal, H.T. lead ... ..	1
28	MTM148	H.T. lead, c/w terminal ... ..	1
29	MTM149	Waterproof cover, sparking plug ... ..	1
30	MTR301	Coil centralising ring ... ..	1
S.A.	MTM151	Flywheel magneto complete, less external coil ... ..	1
N.I.	MTM152	Suppressor, H.T. lead ... ..	1

S.A.=Sub-assembly  
N.I.=Not illustrated  
 $\phi$ =Diameter

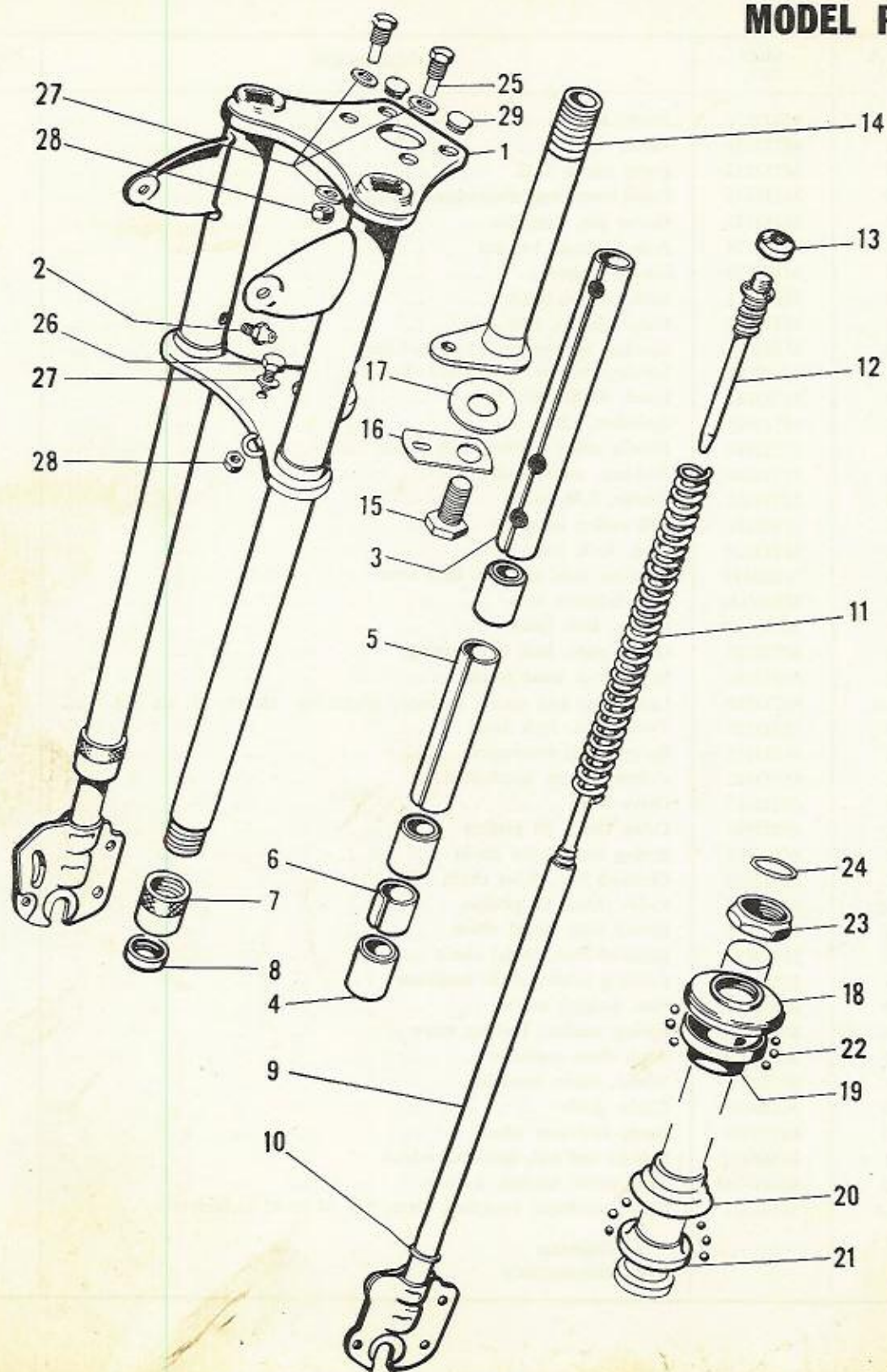


ILLUS. NO.	SALES NO.	DESCRIPTION	NUMBER OFF
1	MTD230	Pedal, R.H. ... ..	1
2	MTD231	Pedal, L.H. ... ..	1
3	MTD232	Pedal crank, L.H. ... ..	1
4	MTD233	Pedal crank and chainwheel, R.H. ... ..	1
5	MTD177	Cotter pin, complete ... ..	2
6	MTD178	Axle, bottom bracket ... ..	1
7	MTD179	Grease nipple ... ..	1
8	MTD211	Bush, bottom bracket ... ..	2
9	MTD181	Outer circlip, B/B axle ... ..	2
10	MMW231	Spacing washer, $\phi$ 16.5 $\times$ 27 $\times$ 1 mm. ... ..	2
11	MMW232	Spacing washer, $\phi$ 16.5 $\times$ 33 $\times$ 0.8 mm. ... ..	1
12	MTD182	Inner circlip, B/B axle ... ..	1
13	MTD183	Sprocket, 12t ... ..	1
14	MTD184	Needle roller bearing, B/B pulley ... ..	2
15	MTD185	End cap, pulley hub ... ..	1
16	MTD186	Spacer, L.H. crank ... ..	1
17	MTD187	B/B pulley, complete ... ..	1
18	MTD234	Arm, lock lever ... ..	1
19	MMP135	Fulcrum bolt, c/w nut, lock lever ... ..	1
20	MMN146	Nut, fulcrum bolt ... ..	1
21	MTD188	Spring, lock lever ... ..	1
22	MTD189	Guide plate, lock lever spring ... ..	1
23	MTD190	Rivet, lock lever spring ... ..	1
S.A.	MTD243	Lock lever and spring assembly (Parts No. 18, 19, 21, 22, 23) ... ..	1
24	MTD220	Turnbutton, lock lever ... ..	1
25	MTD191	Spring disc, turnbutton ... ..	1
26	MTD192	Fulcrum rivet, turnbutton ... ..	1
27	MTD193	Drive belt ... ..	1
28	MTD194	Drive chain, 96 pitches ... ..	1
29	MTD195	Spring link, drive chain ... ..	1
30	MTD196	Cranked link, drive chain ... ..	1
31	MTD197	Pedal chain, 93 pitches ... ..	1
32	MTD198	Spring link, pedal chain ... ..	1
33	MTD199	Cranked link, pedal chain ... ..	1
34	MMB171	Locking screw, chain tensioner ... ..	2
35	MMN171	Nut, locking screw ... ..	2
36	MMW233	Spring washer, locking screw ... ..	2
37	MTD200	Arm, chain tensioner ... ..	1
38	MTD201	Wheel, chain tensioner ... ..	1
39	MTD202	Chain guide ... ..	1
40	MTD203	Bush, tensioner wheel ... ..	1
41	MMP132	Spindle and nut, tensioner wheel ... ..	1
42	MMW234	Shakeproof washer, $\phi$ 6 mm. ... ..	1
S.A.	MTD204	Chain tensioner, complete (Parts No. 34 to 42 inclusive) ... ..	1

$\phi$  = Diameter  
S.A. = Sub-assembly



# TELESCOPIC FORK AND STEERING HEAD BEARINGS GROUP 'F' MODEL RM8

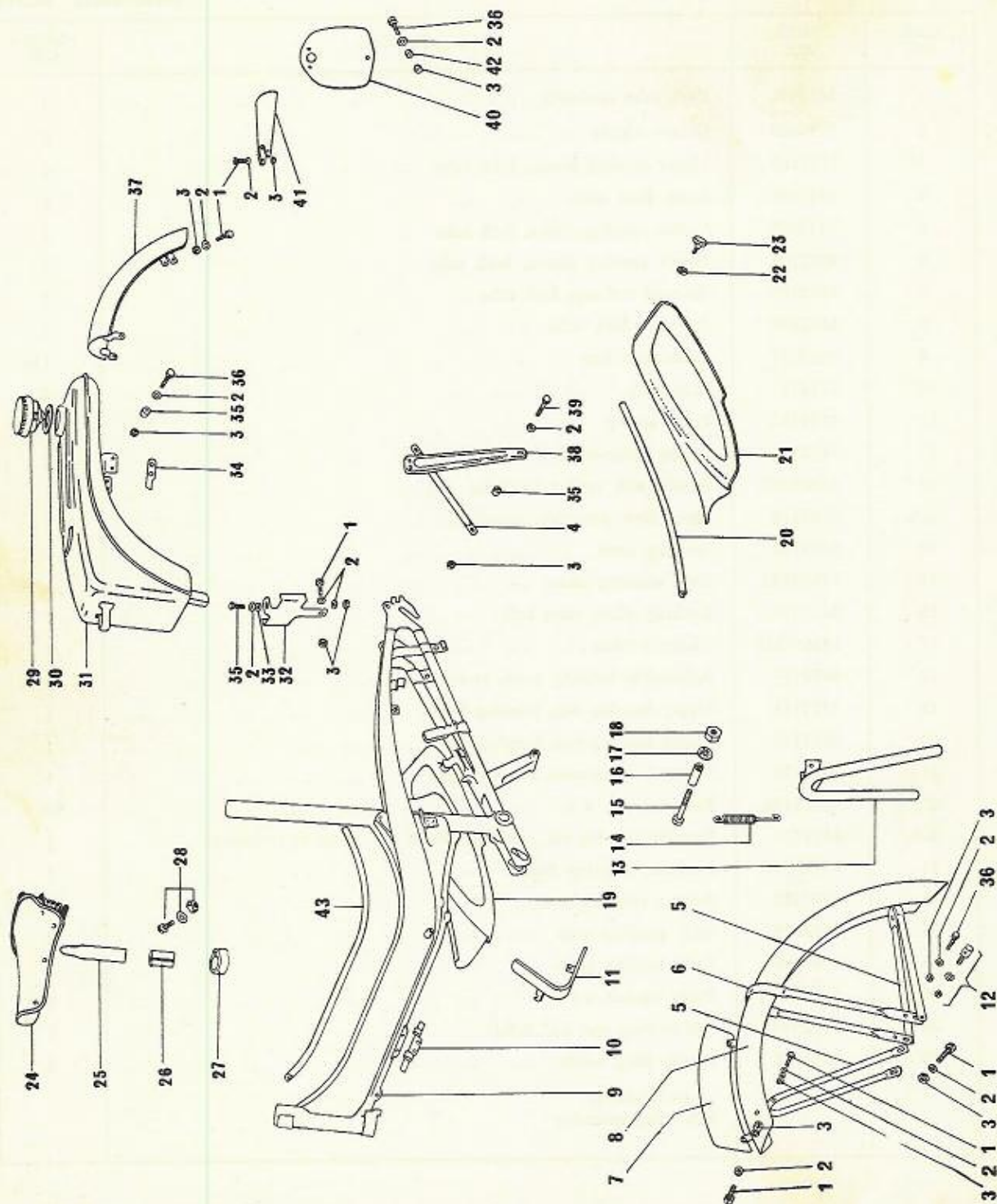


# TELESCOPIC FORK AND STEERING HEAD BEARINGS GROUP 'F' MODEL RM8

ILLUS. NO.	SALES NO.	DESCRIPTION	NUMBER OFF
1	MTJ181	Fork tube assembly ... ..	1
2	MTJ102	Grease nipple ... ..	2
3	MTJ103	Upper spacing sleeve, fork tube ... ..	2
4	MTJ104	Bush, fork tube ... ..	6
5	MTJ105	Centre spacing sleeve, fork tube ... ..	2
6	MTJ106	Lower spacing sleeve, fork tube ... ..	2
7	MTJ107	Screwed end cap, fork tube ... ..	2
8	MTJ108	Oil seal, fork tube ... ..	2
9	MTJ177	Telescopic legs ... ..	1 pr.
10	MTJ111	Stop ring ... ..	2
11	MTJ112	Fork spring ... ..	2
12	MTJ113	Spring retaining rod ... ..	2
13	MMN187	Slotted nut, spring retaining rod ... ..	2
S.A.	MTJ114	Front fork assembly, complete ... ..	1
14	MTJ115	Steering stem ... ..	1
15	MMB192	Bolt, steering stem ... ..	1
16	MTJ116	Locking plate, stem bolt ... ..	1
17	MMW265	Clamp washer ... ..	1
18	MTJ117	Adjustable bearing cone, steering head ... ..	1
19	MTJ118	Upper bearing cup, steering head ... ..	1
20	MTJ119	Lower bearing cup, steering head ... ..	1
21	MTJ120	Lower bearing conc, steering head ... ..	1
22	MML104	Ball bearing, $\phi \frac{5}{16}$ " ... ..	50
S.A.	MTJ121	Steering bearing set, complete (Parts No. 18 to 24 inclusive) ... ..	1
23	MMN188	Locknut, steering head ... ..	1
24	MTJ122	Sealing ring, locknut ... ..	1
25	MMB193	Bolt, steering stop ... ..	2
26	MMB194	Bolt, locking plate ... ..	1
27	MMW101	Plain washer, $\phi \frac{1}{4}$ " ... ..	5
28	MMN189	Self-locking nut, $\phi \frac{1}{4}$ " B.S.F. ... ..	3
29	MTJ123	Plastic plug, white ... ..	2

$\phi$  = Diameter  
 S.A. = Sub-assembly

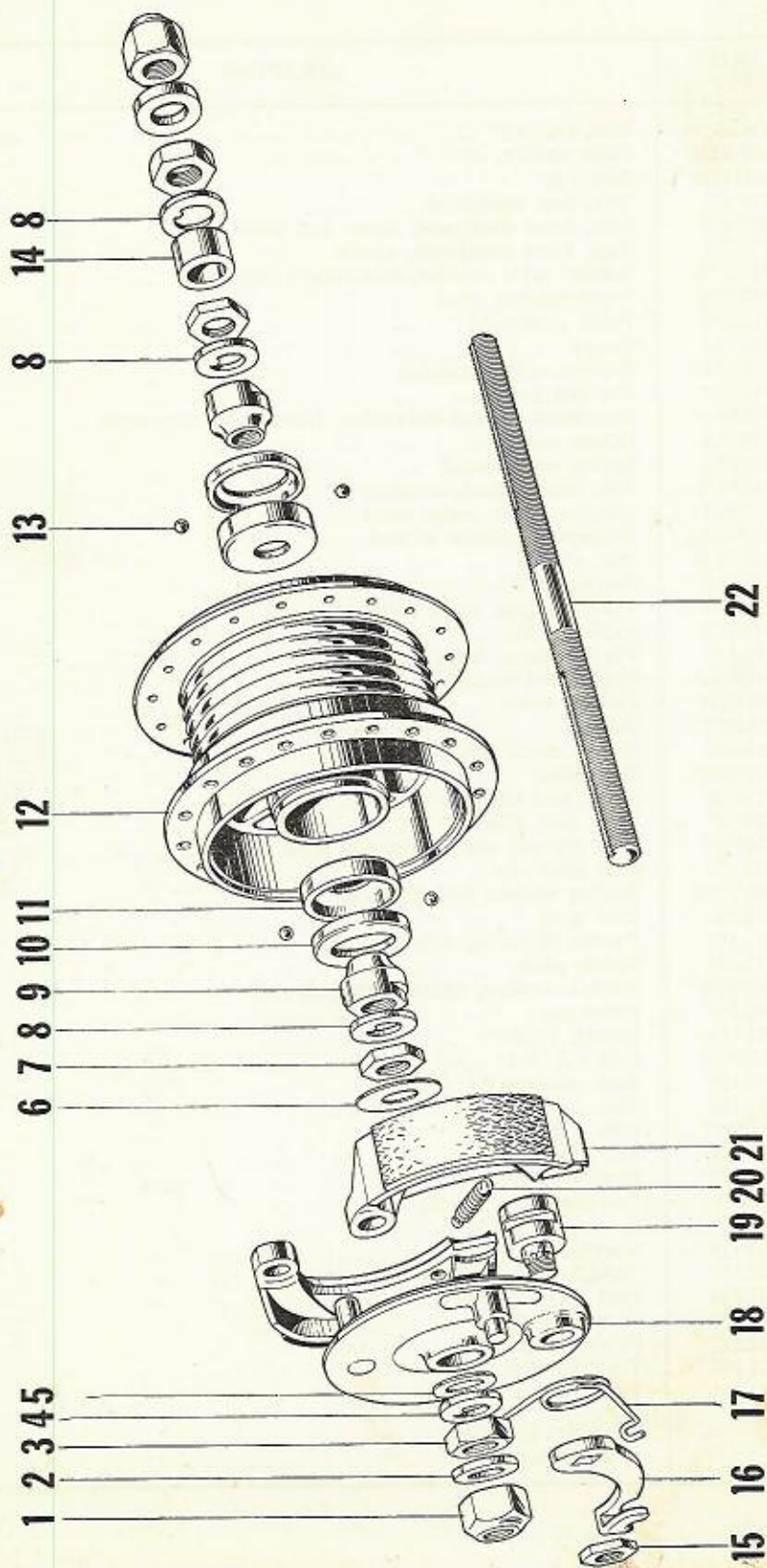
# FRAME, FUEL TANK AND MUDGUARDS GROUP 'G' MODEL RM8



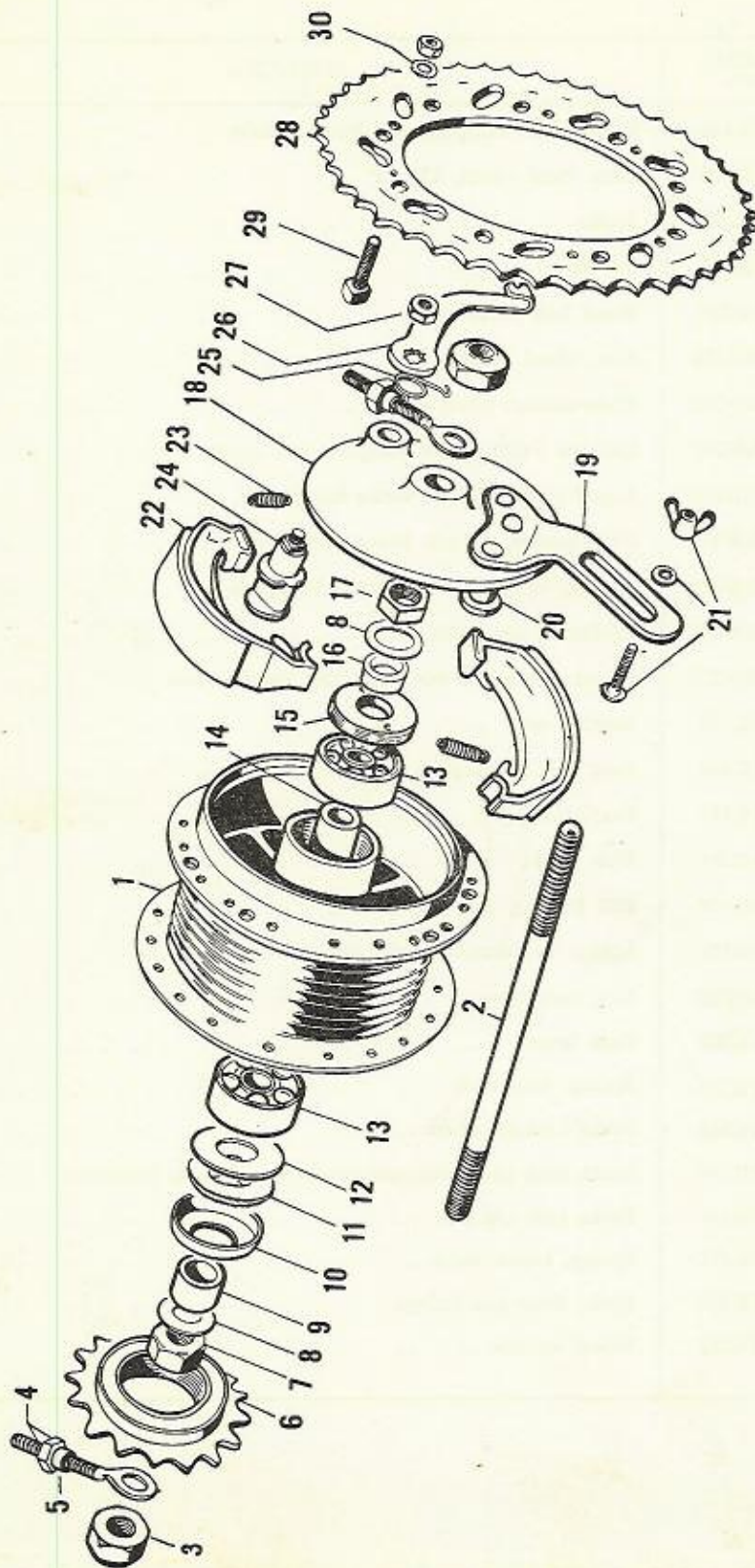
# FRAME, FUEL TANK AND MUDGUARDS GROUP 'G' MODEL RM8

ILLUS. NO.	SALES NO.	DESCRIPTION	NUMBER OFF
1	MMB206	Bolt, $\phi \frac{7}{16}$ " $\times \frac{1}{2}$ " ... ..	15
2	MMW105	Plain washer, $\phi \frac{7}{16}$ " ... ..	38
3	MMN219	Nut, $\phi \frac{7}{16}$ " ... ..	26
4	MTL126	Stay, rear mudguard ... ..	2
5	MTL129	Stay, front mudguard, upper and lower ... ..	2
6	MTL271	Stay, front mudguard, centre ... ..	1
N.I.	MTN242	Rubber cable retainer, front brake cable ... ..	1
7	MTL128	Front number plate ... ..	1
8	MTL272	Front mudguard ... ..	1
9	MTF165	Frame ... ..	1
10	MTF111	Bracket, cable retaining ... ..	1
11	MTF104	Vee belt guard ... ..	1
12	MMP149	Stop screw c/w nut and washer, front brake outer cable ... ..	1
13	MTF164	Centre stand ... ..	1
14	MTF123	Spring, centre stand ... ..	1
15	MMP136	Bolt, centre stand, complete ... ..	1
16	MTF103	Distance piece, centre stand ... ..	1
17	MMW182	Shakeproof washer $\phi 7$ mm. ... ..	1
18	MMN154	Nut, $\phi 7$ mm. ... ..	1
19	MTL318	Fairing, R.H. ... ..	1
20	MTL149	Plastic edging strip, L.H. 14" ... ..	1
21	MTL317	Fairing, L.H. ... ..	1
N.I.	MTL151	Plastic edging strip, R.H. 11 $\frac{1}{2}$ " ... ..	1
22	MMW289	Shakeproof washer, $\phi 5$ mm. ... ..	6
23	MMB278	Fairing screw ... ..	6
24	BZM852	Saddle ... ..	1
N.I.	BYA440	Saddle cover c/w clips ... ..	1
25	MTF105	Seat pillar ... ..	1
26	MTF106	Liner, seat tube ... ..	1
27	MTF107	Clip, seat pillar ... ..	1
28	MMP137	Bolt, c/w nut and washer, seat pillar clip ... ..	1
29	MTL102	Fuel filler cap ... ..	1
30	MMW372	Sealing washer, fuel filler cap ... ..	1
31	MTL312	Fuel tank ... ..	1
N.I.	MTL152	Rubber Mounting strip, fuel tank ... ..	1
32	MTL153	Splash plate ... ..	1
33	MMW360	Rubber washers, splash plate bolt ... ..	4
34	MTL154	Pump peg ... ..	1
35	MTL119	Spacer, $\frac{1}{2}$ " thick ... ..	6
36	MMB140	Bolt, $\phi \frac{7}{16}$ " $\times \frac{1}{2}$ " ... ..	9
37	MTL155	Rear mudguard ... ..	1
38	MTL156	Tank support stay ... ..	2
39	MMB117	Bolt, $\phi \frac{7}{16}$ " $\times \frac{1}{2}$ " ... ..	2
40	MTL122	Rear number plate ... ..	1
N.I.	MTL123	Number plate ... ..	1
41	MTL121	Tail piece ... ..	1
42	MMW139	Spacer, $\frac{1}{4}$ " thick ... ..	1
43	MTF125	Metallic trim strip ... ..	1
N.I.	MTL157	"RALEIGH" trade mark transfer ... ..	1
N.I.	MTL144	Fuel ratio transfer ... ..	1
N.I.	MTL158	Frame transfer ... ..	2
N.I.	MTL273	Fairing transfer ... ..	2
N.I.	MTL160	Tank transfer, L.H. ... ..	1
N.I.	MTL161	Tank transfer, R.H. ... ..	1

N.I.=Not illustrated.  
 $\phi$ =Diameter



ILLUS. NO.	SALES NO.	DESCRIPTION	NUMBER OFF
N.I.	MTK259	Front wheel complete, less tyre and tube ... ..	1
N.I.	MTK102	Rim, front wheel, 23" x 2" ... ..	1
N.I.	MTK193	Spoke ... ..	36
N.I.	MTK104	Nipple ... ..	36
S.A.	MTK260	Front hub complete ... ..	1
1	MMN196	Nut, wheel spindle ... ..	2
2	MMW272	Plain washer, wheel spindle ... ..	2
3	MMN260	Locknut 7 mm. brake backplate and speedo ... ..	2
4	MMW369	Keyed washer, 2 mm. brake backplate ... ..	1
5	MMW370	Plain washer, 0.5 mm. brake backplate ... ..	1
6	MMW368	Spacing washer, 0.5 mm. brake backplate ... ..	1
7	MMN198	Locknut 3 mm. cone ... ..	2
8	MMW273	Keyed washer 1.5 mm. cone and speedo drive ... ..	3
9	MTK112	Bearing cone ... ..	2
10	MTK196	Dust cap, bearings ... ..	2
11	MTK197	Bearing cup ... ..	2
12	MTK261	Hub shell ... ..	1
13	MML106	Ball bearing, $\frac{1}{2}$ " ... ..	22
14	MTK124	Spacer, speedometer drive unit ... ..	1
15	MMN201	Nut, cam lever ... ..	1
16	MTK203	Cam lever ... ..	1
17	MTK258	Spring, cam lever ... ..	1
18	MTK263	Brake backplate bare ... ..	1
S.A.	MTK264	Brake back plate complete (Parts No. 15 to 21 inclusive) ... ..	1
19	MTK201	Brake cam c/w nut ... ..	1
20	MTK145	Spring, brake shoes ... ..	1
21	MTK200	Brake shoes c/w linings ... ..	1 pr.
22	MTK262	Wheel spindle ... ..	1



# REAR WHEEL

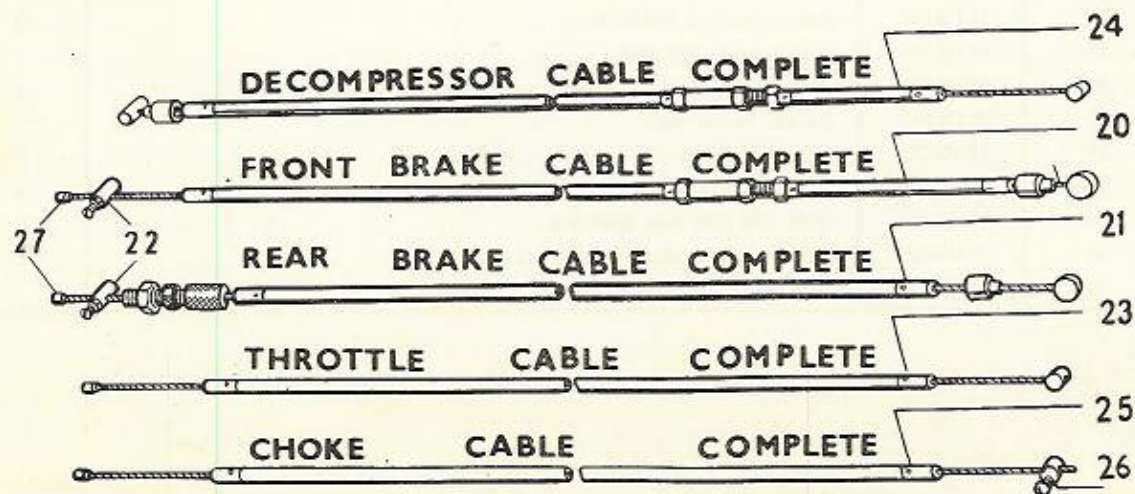
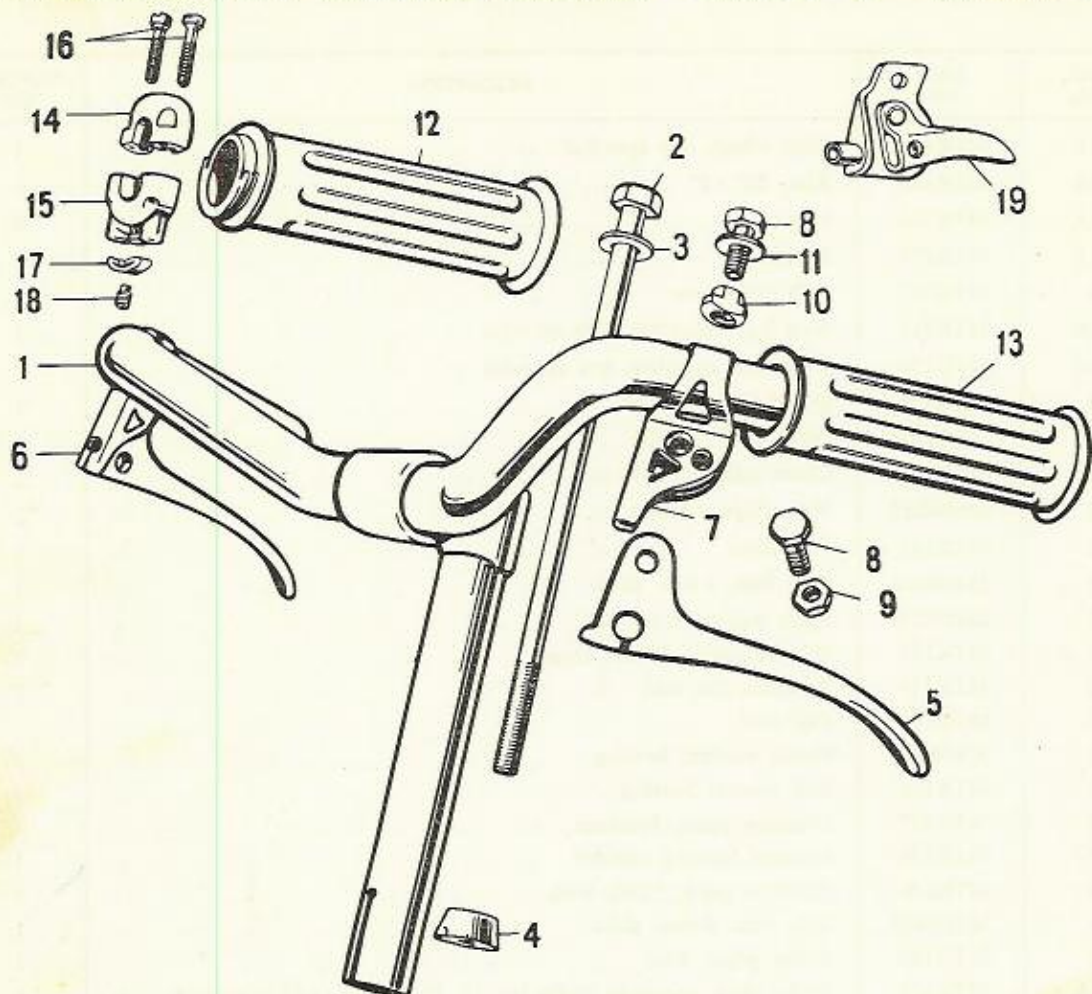
# GROUP 'I'

# MODEL RM8

ILLUS. NO.	SALES NO.	DESCRIPTION	NUMBER OFF
N.I.	MTK125	Rear wheel, c/w sprocket ... ..	1
N.I.	MTK102	Rim, 23" x 2" ... ..	1
N.I.	MTK126	Spoke ... ..	36
N.I.	MTK104	Nipple ... ..	36
1	MTK127	Hub shell, rear ... ..	1
S.A.	MTK128	Rear hub, complete, with sprocket ... ..	1
S.A.	MTK129	Rear hub, complete, less sprocket ... ..	1
2	MTK130	Wheel spindle, rear ... ..	1
3	MMN202	Nut, wheel spindle ... ..	2
4	MTK131	Chain adjuster, c/w nut ... ..	2
5	MMN203	Nut, chain adjuster ... ..	2
6	MTK132	Freewheel ... ..	1
7	MMN204	Nut, hub, 8 mm. thick ... ..	1
8	MMW275	Plain washer, hub ... ..	2
9	MTK133	Distance piece, 11 mm. long ... ..	1
10	MTK134	Retainer, felt seal ... ..	1
11	MTK135	Felt seal ... ..	1
12	MMW276	Shield washer, bearing ... ..	1
13	MTK136	Ball journal bearing ... ..	2
14	MTK137	Distance piece, bearings ... ..	1
15	MTK138	Screwed bearing retainer ... ..	1
16	MTK139	Distance piece, 6 mm. long ... ..	1
17	MMN205	Nut, hub, 5 mm. thick ... ..	1
18	MTK140	Brake plate, bare ... ..	1
S.A.	MTK141	Brake plate, complete (Parts No. 18, 19, 20, 22 to 27 inclusive) ... ..	1
19	MTK142	Torque arm, brake plate ... ..	1
20	MTK143	Fixed pivot, brake shoes ... ..	1
21	MMP145	Screw, c/w washer and wingnut, torque arm ... ..	1
22	MTK144	Brake shoe, c/w lining ... ..	2
23	MTK145	Return spring, brake shoe ... ..	2
24	MTK146	Brake cam, c/w nut ... ..	1
25	MTK186	Return spring, cam lever ... ..	1
26	MTK147	Lever, brake cam ... ..	1
27	MMN200	Nut, brake cam ... ..	1
28	MTK148	Sprocket, rear wheel ... ..	1
29	MMP146	Bolt, c/w nut, rear sprocket ... ..	6
30	MMW266	Shakeproof washer, sprocket bolt ... ..	6



# HANDLEBARS AND CONTROL CABLES GROUP 'J' MODEL RM8

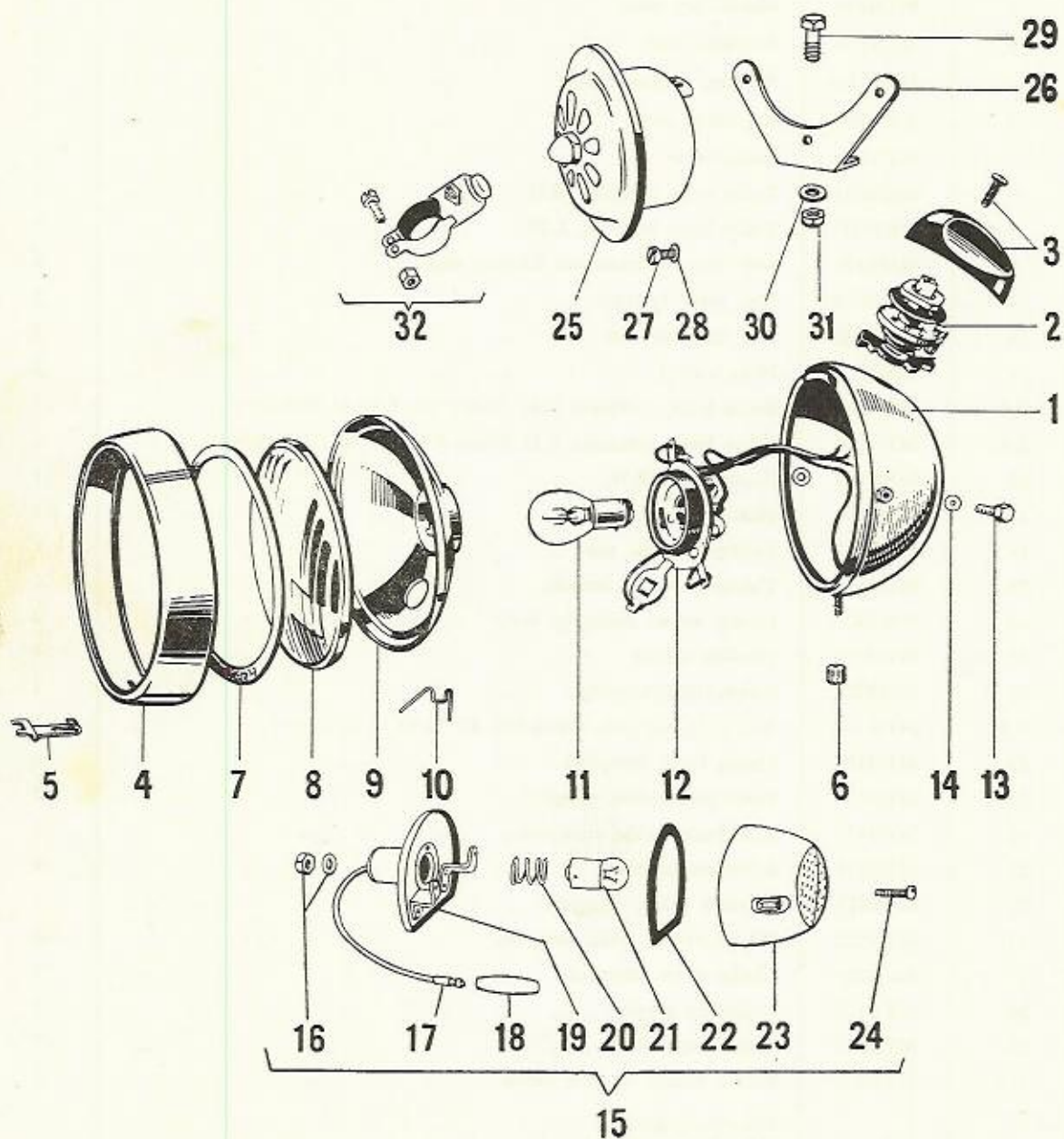


# HANDLEBARS AND CONTROL CABLES GROUP 'J' MODEL RM8

ILLUS. NO.	SALES NO.	DESCRIPTION	NUMBER OFF
1	MTN244	Handlebar, bare ... ..	1
2	MTN103	Expander bolt ... ..	1
3	MMW110	Washer, expander bolt ... ..	1
4	MTN104	Expander cone ... ..	1
5	MTN106	Brake lever ... ..	2
6	MKM116	Brake lever, fulcrum, R.H. ... ..	1
7	MKM117	Brake lever fulcrum, L.H. ... ..	1
8	MMB129	Bolt, lever fulcrum and fulcrum clip ... ..	4
9	MMN104	Nut, lever fulcrum ... ..	2
10	MMN127	Nut, fulcrum clip ... ..	2
11	MMW105	Plain washer ... ..	2
S.A.	MTN107	Brake lever, complete, R.H. (Parts No. 6 to 11 inclusive) ... ..	1
S.A.	MTN108	Brake lever, complete, L.H. (Parts No. 5, 7 to 11 inclusive) ... ..	1
12	MTN109	Plastic grip, R.H. ... ..	1
13	MTN110	Plastic grip, L.H. ... ..	1
14	MTN111	Twistgrip body, top ... ..	1
15	MTN112	Twistgrip body, bottom ... ..	1
16	MMB273	Fixing screw, twistgrip body ... ..	2
17	MTN113	Friction spring ... ..	1
18	MMB257	Screw, friction spring ... ..	1
S.A.	MTN114	Twistgrip, complete (Parts No. 12, 14 to 18 inclusive) ... ..	1
19	MTN155	Choke lever, complete ... ..	1
20	MTN116	Front brake cable, complete ... ..	1
21	MTN119	Rear brake cable, complete ... ..	1
22	MTN118	Solderless nipple ... ..	1
23	MTN121	Throttle cable, complete ... ..	1
24	MTN122	Decompressor cable, complete ... ..	1
25	MTN123	Choke cable, complete ... ..	1
26	MTN125	Solderless nipple ... ..	1
27	MTN242	Cable terminal ... ..	2
N.I.	MTN126	Plastic sheath, control cables ... ..	2

S.A. = Sub-assembly  
N.I. = Not illustrated

# LIGHTING AND ELECTRIC HORN GROUP 'K' MODEL RM8



# LIGHTING AND ELECTRIC HORN GROUP 'K' MODEL RM8

ILLUS. NO.	SALES NO.	DESCRIPTION	NUMBER OFF
1	MTP206	Headlamp Shell ... ..	1
2	MTP102	Lighting switch, complete ... ..	1
3	MTP103	Switch knob and screw ... ..	1
S.A.	MTP104	Switch plate and spindle ... ..	1
4	MTP105	Headlamp rim ... ..	1
5	MTP106	Clip, rim securing ... ..	1
6	MMN232	Nut, rim securing ... ..	1
7	MTP107	Rubber seal, reflector ... ..	1
8	MTP108	Headlamp glass ... ..	1
9	MTP109	Headlamp reflector ... ..	1
10	MTP110	Spring clip, reflector securing ... ..	3
11	MTP111	Headlamp bulb ... ..	1
12	MTP112	Bulb holder ... ..	1
S.A.	MTP207	Headlamp, c/w wiring harness ... ..	1
13	MMB194	Bolt, headlamp securing ... ..	2
14	MMW101	Plain washer, $\phi \frac{1}{4}$ " ... ..	2
15	MTP154	Tail lamp, complete ... ..	1
16	MMN234	Nut and washer, tail lamp fixing ... ..	2
17	MTP155	Connector nipple ... ..	2
18	MTP120	Connector ... ..	1
19	MTP156	Tail lamp backplate ... ..	1
20	MTP157	Bulb spring ... ..	1
21	MTP158	Bulb, tail lamp, 6 V. 3 W. S.C.C. ... ..	1
22	MTP159	Gasket, tail lamp lens ... ..	1
23	MTP160	Tail lamp lens ... ..	1
24	MTP161	Screw, tail lamp lens ... ..	2
25	MTP123	Electric horn kit complete ... ..	1
26	MTP124	Bracket, horn mounting ... ..	1
27	MMB300	Screw 3 B.A., horn to bracket ... ..	3
28	MMW359	Spring washer 3 B.A. ... ..	3
29	MMB194	Bolt, horn bracket mounting ... ..	1
30	MMW101	Plain washer ... ..	1
31	MMN189	Self locking nut, horn bracket mounting ... ..	1
32	MTP197	Horn button ... ..	1
N.I.	MTP121	Wiring harness ... ..	1
N.I.	MTP122	Plastic sleeve, wiring harness ... ..	1

$\phi$ =Diameter  
 S.A.=Sub assembly  
 N.I.=Not illustrated

# TOOLS GROUP 'L'

# MODEL RM8

GROUP NO.	SALES NO.	DESCRIPTION	NUMBER OFF
1	MTR101	Inflator ... ..	1
2	MTR105	Spanner, $\frac{1}{4}$ " $\times$ $\frac{3}{8}$ " $\times$ $\frac{1}{2}$ " B.S.F. ... ..	1
3	MTR107	Box spanner, sparking plug ... ..	1
4	MTR139	Ring spanner, $\frac{5}{8}$ " $\times$ $\frac{1}{2}$ " B.S.F. ... ..	1
5	MTR106	Spanner, cylinder head nuts ... ..	1
6	MTR108	Spanner, 8 mm. $\times$ 10 mm. ... ..	1
7	MTR110	Combination spanner, 12 mm. $\times$ 14 mm. ... ..	1
8	MTR111	Combination spanner ... ..	1
9	BYC574	Toolbag ... ..	1
10	MTR280	Set of spanners (original equipment) ... ..	1

# ACCESSORIES GROUP 'M'

1	MTR150	Legshield kit ... ..	1
2	MTR149	Windscreen (standard) ... ..	1
3	MTR113	Windscreen (de luxe) ... ..	1
4	BYD687	Pannier (L.H.) ... ..	1
5	BYD686	Pannier (R.H.) ... ..	1
6	MTR115	Speedometer kit ... ..	1
7	MTR116	Speedo cable complete (Huret) ... ..	1
8	MTR125	Speedo head ... ..	1
9	MTR126	Lens, speedometer ... ..	1
10	MTR127	Bezel, speedometer ... ..	1
11	MTR128	Joint, speedometer lens ... ..	1
12	MTR144	Drive unit, speedometer ... ..	1
13	MTR279	Mounting bracket c/w nut and bolt ... ..	1
14	MMN231	Nut, speedo head securing ... ..	1
15	RMM116	Touch up enamel (pearl grey or charcoal grey, state colour required) ... ..	1

GROUP NO.	SALES NO.	DESCRIPTION	NUMBER OFF
1	MTX134	Engine unit, less magneto, clutch, carburettor, exhaust system and sparking plug ... ..	1
2	MTX135	Engine unit, complete with magneto, clutch and carburettor, but less sparking plug and exhaust system ... ..	1
3	MTX103	Carburettor, complete with air cleaner, but less control cables ... ..	1
4	MTX117	Crankshaft, complete with small end bearing and gudgeon pin ... ..	1
5	MTX142	Stator plate, complete with coils, contact breaker and condenser, but less external ignition coil ... ..	1
6	MTX106	Clutch complete ... ..	1
7	MTX108	Clutch shoes, relined ... ..	1 pr.
8	MTX133	Brake shoes, relined, front wheel ... ..	1 pr.
9	MTX110	Brake shoes, relined, rear wheel ... ..	2
10	MTX131	Frame, bare ... ..	1
Clutch drum, no service exchange is available, but new leaf springs can be fitted at our works for 19s. 6d.			

## CONDITIONS OF SERVICE EXCHANGE

This service enables the exchange replacement units listed to be readily available to the owners of our machines.

Thus off-the-road time can be cut to a minimum and the owner also has the benefit of a unit overhauled to the most rigorous standards and guaranteed by the factory.

The attention of all concerned is drawn to the following points:—

1. The fullest details should be quoted of the model and type of machine for which the replacement unit is required.
2. This service is essentially an exchange service and only provides for the supply of a standard replacement unit in exchange for the original. It does not provide for the overhaul and return of individual units or for the supply of advance replacements.
3. We cannot undertake to return to the previous owner any component part of a displaced unit and no allowance can be made in respect of any new material which may have been fitted to the unit prior to exchange.
4. All replacement units are built to standard specifications and an extra charge will be made at the current retail price in respect of any component deficient from the displaced unit.
5. We reserve the right to make an extra charge, based on the current retail price, in respect of any major component of the displaced unit found to be damaged or broken due to accident or to be beyond repair.
6. Only units built within the limits of the standard specifications can be supplied and orders stipulating any particular or special specifications cannot be accepted through the medium of this service.
7. It is helpful to remind owners of their statutory obligation to notify their local licensing authority of any change in frame or engine number which may be involved.

# RM8 NUMERICAL INDEX

SALES No.	GROUP	ILLUS. No.	SALES No.	GROUP	ILLUS. No.	SALES No.	GROUP	ILLUS. No.			
BYA440	..	G	N.I.	MMN203	..	I	5	MMW272	..	H	2
BYC574	..	L	9	MMN204	..	I	7	MMW273	..	H	8
BYD686	..	M	5	MMN205	..	I	17	MMW275	..	I	8
BYD687	..	M	4	MMN219	..	G	3	MMW276	..	I	12
BZM852	..	G	24	MMN226	..	D	10	MMW289	..	G	22
MKM116	..	J	6	MMN227	..	D	20	MMW307	..	D	9
MKM117	..	J	7	MMN231	..	M	14	MMW308	..	D	13
MMB117	..	G	39	MMN232	..	K	6	MMW359	..	K	28
MMB129	..	J	8	MMN234	..	K	16	MMW360	..	G	33
MMB140	..	G	36	MMN260	..	H	3	MMW368	..	H	6
MMB145	..	A	46	MMP128	..	A	4	MMW369	..	H	4
MMB146	..	A	47	MMP129	..	A	53	MMW370	..	H	5
MMB147	..	A	48	MMP130	..	A	58	MMW372	..	G	30
MMB164	..	B	20	MMP132	..	E	41	MTA101	..	A	1
MMB171	..	E	34	MMP135	..	E	19	MTA102	..	A	2
MMB177	..	C	11	MMP136	..	G	15	MTA105	..	A	7
MMB178	..	C	28	MMP137	..	G	28	MTA106	..	A	8
MMB192	..	F	15	MMP142	..	C	25	MTA107	..	A	9
MMB293	..	F	25	MMP145	..	I	21	MTA108	..	A	11
MMB194	..	F	26	MMP146	..	I	29	MTA109	..	A	12
MMB194	..	K	13	MMP149	..	G	12	MTA110	..	A	13
MMB194	..	K	29	MMW101	..	A	67	MTA111	..	A	14
MMB206	..	G	1	MMW101	..	F	27	MTA112	..	A	S.A.
MMB236	..	D	7	MMW101	..	K	14	MTA113	..	A	15
MMB237	..	D	8	MMW105	..	G	2	MTA114	..	A	16
MMB238	..	D	12	MMW105	..	J	11	MMW115	..	A	S.A.
MMB257	..	J	18	MMW110	..	J	3	MTA116	..	A	17
MMB273	..	J	16	MMW139	..	G	42	MTA117	..	A	18
MMB278	..	G	23	MMW164	..	A	5	MTA118	..	A	19
MMB300	..	K	27	MMW165	..	A	10	MTA119	..	A	20
MML104	..	F	22	MMW168	..	A	38	MTA120	..	A	21
MML106	..	H	13	MMW169	..	A	38	MTA121	..	A	25
MMN104	..	J	9	MMW170	..	A	38	MTA122	..	A	26
MMN127	..	J	10	MMW171	..	A	42	MTA123	..	A	27
MMN146	..	E	20	MMW172	..	A	44	MTA124	..	A	27
MMN146	..	A	6	MMW173	..	A	45	MTA125	..	A	28
MMN147	..	A	23	MMW174	..	A	62	MTA126	..	A	29
MMN148	..	A	41	MMW176	..	A	34	MTA127	..	A	30
MMN149	..	A	55	MMW181	..	A	22	MTA130	..	A	35
MMN150	..	A	63	MMW182	..	G	17	MTA131	..	A	36
MMN154	..	G	18	MMW200	..	B	1	MTA132	..	A	37
MMN166	..	B	12	MMW201	..	B	3	MTA134	..	A	43
MMN171	..	E	35	MMW202	..	B	9	MTA135	..	A	49
MMN180	..	C	9	MMW203	..	B	N.I.	MTA136	..	A	50
MMN181	..	C	23	MMW204	..	B	N.I.	MTA137	..	A	51
MMN187	..	F	13	MMW205	..	B	N.I.	MTA138	..	A	52
MMN188	..	F	23	MMW206	..	B	15	MTA139	..	A	54
MMN189	..	A	66	MMW207	..	B	16	MTA140	..	A	56
MMN189	..	F	28	MMW231	..	E	10	MTA141	..	A	57
MMN189	..	K	31	MMW232	..	E	11	MTA142	..	A	60
MMN196	..	H	1	MMW233	..	E	36	MTA143	..	A	61
MMN198	..	H	7	MMW234	..	E	42	MTA144	..	A	N.I.
MMN200	..	I	27	MMW245	..	C	2	MTA145	..	A	N.I.
MMN201	..	H	15	MMW246	..	C	2	MTA146	..	A	N.I.
MMN202	..	I	3	MMW247	..	C	12	MTA158	..	A	31
				MMW248	..	C	22	MTA159	..	A	35
				MMW265	..	F	17	MTA176	..	A	3
				MMW266	..	A	59	MTA263	..	A	32
					..	I	30	MTA267	..	A	39
								MTA268	..	A	40
								MTA269	..	A	S.A.

# RM8 NUMERICAL INDEX

SALES No.	GROUP	ILLUS. No.	SALES No.	GROUP	ILLUS. No.	SALES No.	GROUP	ILLUS. No.			
MTA284	..	A	24	MTF104	..	G	11	MTK102	..	H	N.I.
MTA285	..	A	S.A.	MTF105	..	G	25	MTK102	..	I	N.I.
MTA286	..	A	64	MTF106	..	G	26	MTK104	..	H	N.I.
MTA287	..	A	65	MTF107	..	G	27	MTK104	..	I	N.I.
MTB101	..	B	2	MTF111	..	G	10	MTK112	..	H	9
MTB102	..	B	4	MTF123	..	G	14	MTK124	..	H	14
MTB103	..	B	5	MTF125	..	G	43	MTK125	..	I	N.I.
MTB104	..	B	6	MTF164	..	G	13	MTK126	..	I	N.I.
MTB105	..	B	7	MTF165	..	G	9	MTK127	..	I	1
MTB106	..	B	8	MTH106	..	C	8	MTK128	..	I	S.A.
MTB107	..	B	10	MTH107	..	C	10	MTK129	..	I	S.A.
MTB108	..	B	11	MTH108	..	C	13	MTK130	..	I	2
MTB109	..	B	13	MTH109	..	C	14	MTK131	..	I	4
MTB110	..	B	14	MTH110	..	C	15	MTK132	..	I	6
MTB111	..	B	17	MTH111	..	C	16	MTK133	..	I	9
MTB112	..	B	18	MTH112	..	C	17	MTK134	..	I	10
MTB113	..	B	19	MTH113	..	C	18	MTK135	..	I	11
MTB116	..	B	21	MTH114	..	C	19	MTK136	..	I	13
MTB117	..	B	22	MTH115	..	C	20	MTK137	..	I	14
MTB118	..	B	23	MTH116	..	C	21	MTK138	..	I	15
MTB119	..	B	N.I.	MTH117	..	C	24	MTK139	..	I	16
MTB132	..	B	S.A.	MTH118	..	C	25	MTK140	..	I	18
MTD177	..	E	5	MTH119	..	C	27	MTK141	..	I	S.A.
MTD178	..	E	6	MTH120	..	C	27	MTK142	..	I	19
MTD179	..	E	7	MTH121	..	C	27	MTK143	..	I	20
MTD181	..	E	9	MTH122	..	C	27	MTK144	..	I	22
MTD182	..	E	12	MTH123	..	C	29	MTK145	..	H	20
MTD183	..	E	13	MTH124	..	C	30	MTK145	..	I	23
MTD184	..	E	14	MTH125	..	C	31	MTK146	..	I	24
MTD185	..	E	15	MTH126	..	C	32	MTK147	..	I	26
MTD186	..	E	16	MTH127	..	C	33	MTK148	..	I	28
MTD187	..	E	17	MTH128	..	C	34	MTK186	..	I	25
MTD188	..	E	21	MTH129	..	C	S.A.	MTK193	..	H	N.I.
MTD189	..	E	22	MTH195	..	C	3	MTK196	..	H	10
MTD190	..	E	23	MTH196	..	C	4	MTK197	..	H	11
MTD191	..	E	25	MTH197	..	C	5	MTK200	..	H	21
MTD192	..	E	26	MTH216	..	C	7	MTK201	..	H	19
MTD193	..	E	27	MTH217	..	C	1	MTK203	..	H	16
MTD194	..	E	28	MTJ102	..	F	2	MTK258	..	H	17
MTD195	..	E	29	MTJ103	..	F	3	MTK259	..	H	N.I.
MTD196	..	E	30	MTJ104	..	F	4	MTK260	..	H	S.A.
MTD197	..	E	31	MTJ105	..	F	5	MTK261	..	H	12
MTD198	..	E	32	MTJ106	..	F	6	MTK262	..	H	22
MTD199	..	E	33	MTJ107	..	F	7	MTK263	..	H	18
MTD200	..	E	37	MTJ108	..	F	8	MTK264	..	H	S.A.
MTD201	..	E	38	MTJ111	..	F	10	MTL102	..	G	29
MTD202	..	E	39	MTJ112	..	F	11	MTL119	..	G	35
MTD203	..	E	39	MTJ113	..	F	12	MTL121	..	G	41
MTD203	..	E	40	MTJ114	..	F	S.A.	MTL122	..	G	40
MTD204	..	E	S.A.	MTJ115	..	F	14	MTL123	..	G	N.I.
MTD211	..	E	8	MTJ116	..	F	16	MTL126	..	G	4
MTD220	..	E	24	MTJ117	..	F	18	MTL128	..	G	7
MTD230	..	E	1	MTJ118	..	F	19	MTL129	..	G	5
MTD231	..	E	2	MTJ119	..	F	20	MTL144	..	G	N.I.
MTD232	..	E	3	MTJ120	..	F	21	MTL149	..	G	20
MTD233	..	E	4	MTJ121	..	F	S.A.	MTL151	..	G	N.I.
MTD234	..	E	18	MTJ122	..	F	24	MTL152	..	G	N.I.
MTD243	..	E	S.A.	MTJ123	..	F	29	MTL153	..	G	32
MTF103	..	G	16	MTJ177	..	F	9	MTL154	..	G	34
				MTJ181	..	F	1	MTL155	..	G	37
								MTL156	..	G	38

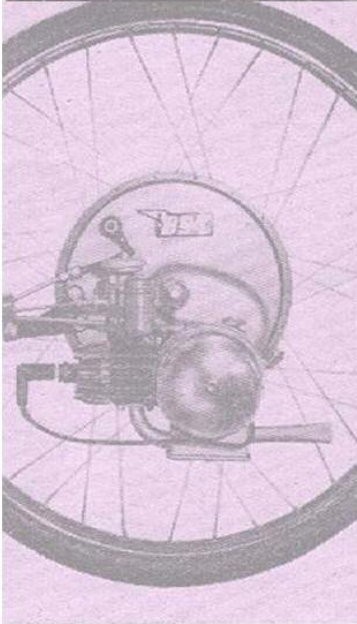


# RM8 NUMERICAL INDEX

SALES No.	GROUP	ILLUS. No.	SALES No.	GROUP	ILLUS. No.	SALES No.	GROUP	ILLUS. No.			
MTL157	..	G	N.I.	MTN110	..	J	13	MTP161	..	K	24
MTL158	..	G	N.I.	MTN111	..	J	14	MTP162	..	D	22
MTL160	..	G	N.I.	MTN112	..	J	15	MTP197	..	K	32
MTL161	..	G	N.I.	MTN113	..	J	17	MTP206	..	K	1
MTL270	..	C	6	MTN114	..	J	S.A.	MTP207	..	K	S.A.
MTL271	..	G	6	MTN116	..	J	20				
MTL272	..	G	8	MTN118	..	J	22	MTR101	..	L	1
MTL273	..	G	N.I.	MTN119	..	J	21	MTR105	..	L	2
MTL312	..	G	31	MTN121	..	J	23	MTR106	..	L	5
MTL317	..	G	21	MTN122	..	J	24	MTR107	..	L	3
MTL318	..	G	19	MTN123	..	J	25	MTR108	..	L	6
				MTN125	..	J	26	MTR110	..	L	7
MTM129	..	D	2	MTN126	..	J	N.I.	MTR111	..	L	8
MTM130	..	D	3	MTN155	..	J	19	MTR113	..	M	3
MTM131	..	D	4	MTN242	..	G	N.I.	MTR115	..	M	6
MTM132	..	D	5	MTN242	..	J	27	MTR116	..	M	7
MTM133	..	D	6	MTN244	..	J	1	MTR125	..	M	8
MTM134	..	D	11					MTR126	..	M	9
MTM135	..	D	14	MTP102	..	K	2	MTR127	..	M	10
MTM136	..	D	15	MTP103	..	K	3	MTR128	..	M	11
MTM137	..	D	16	MTP104	..	K	S.A.	MTR139	..	L	4
MTM138	..	D	17	MTP105	..	K	4	MTR144	..	M	12
MTM139	..	D	18	MTP106	..	K	5	MTR149	..	M	2
MTM143	..	D	23	MTP107	..	K	7	MTR150	..	M	1
MTM144	..	D	24	MTP108	..	K	8	MTR279	..	M	13
MTM145	..	D	25	MTP109	..	K	9	MTR280	..	L	10
MTM146	..	D	26	MTP110	..	K	10	MTR301	..	D	30
MTM147	..	D	27	MTP111	..	K	11				
MTM148	..	D	28	MTP112	..	K	12	MTX103	..	N	3
MTM149	..	D	29	MTP120	..	K	18	MTX106	..	N	6
MTM151	..	D	S.A.	MTP121	..	K	N.I.	MTX108	..	N	7
MTM152	..	D	N.I.	MTP122	..	K	N.I.	MTX110	..	N	9
MTM157	..	D	1	MTP123	..	K	25	MTX117	..	N	4
MTM158	..	D	S.A.	MTP124	..	K	26	MTX131	..	N	10
MTM159	..	D	19	MTP154	..	K	15	MTX133	..	N	8
				MTP155	..	K	17	MTX134	..	N	1
MTN103	..	J	2	MTP156	..	K	19	MTX135	..	N	2
MTN104	..	J	4	MTP157	..	K	20	MTX142	..	N	5
MTN106	..	J	5	MTP158	..	K	21				
MTN107	..	J	S.A.	MTP159	..	K	22	RMM116	..	M	15
MTN108	..	J	S.A.	MTP160	..	K	23				
MTN109	..	J	12	MTP161	..	D	21				



# IceniCAM Information Service



[www.icenicam.org.uk](http://www.icenicam.org.uk)