

RALEIGH

Runabout

MODEL RM6

SPARE PARTS LIST

MTR 271

PRICE 5/-

RALEIGH

Runabout

MODEL RM6

SPARE PARTS LIST

RALEIGH INDUSTRIES LIMITED

A member of the  Group of Companies

LENTON BOULEVARD

NOTTINGHAM

Telephone: NOTTINGHAM 77761 Telegrams: RALIND NOTTINGHAM

Telex: NOTTINGHAM 37681



**Issued by:— Raleigh Industries Limited, Service Headquarters,
Motor Service Department, Lenton Boulevard,
NOTTINGHAM.**

CONTENTS

	Group	Page
Engine and exhaust	A	4
Automatic clutch	B	8
Carburettor and fuel tap	C	10
Flywheel magneto	D	12
Transmission	E	14
Front fork and brake	F	16
Frame, fuel tank and mudguards	G	18
Front wheel	H	20
Rear wheel	I	22
Handlebars and control cables	J	24
Lighting	K	26
Tool kit	L	28
Accessories	M	28
Service exchange	N	29
Special workshop tools	O	30
Numerical index	—	32

INSTRUCTIONS FOR ORDERING

It is essential that the following information is provided with every order for spare parts:—

1. Type and Model of the machine.
2. Frame and Engine numbers.
3. Part number, description, colour and quantity of each spare part required.

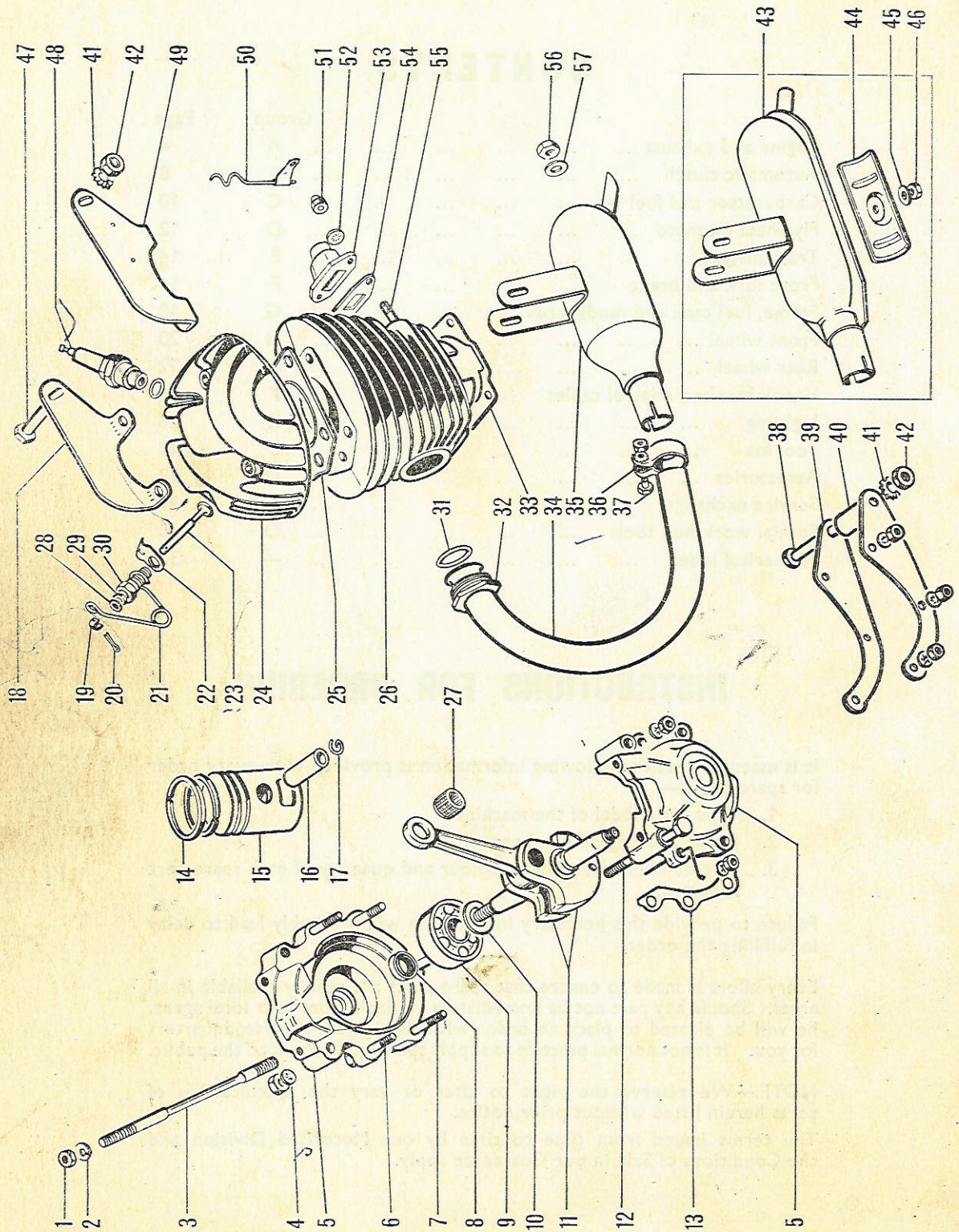
Failure to provide this necessary information will inevitably lead to delay in fulfilling the order.

Every effort is made to ensure that spare parts are readily available in all areas. Should any part not be immediately available from your local agent, he will be pleased to place an order with Raleigh Service Headquarters for you. It is not normal practice to supply spare parts direct to the public.

NOTE.—We reserve the right to alter or vary the specifications of parts herein listed without prior notice.

The terms issued from time to time by our Motorised Division and the Conditions of Sale in our Guarantee apply.

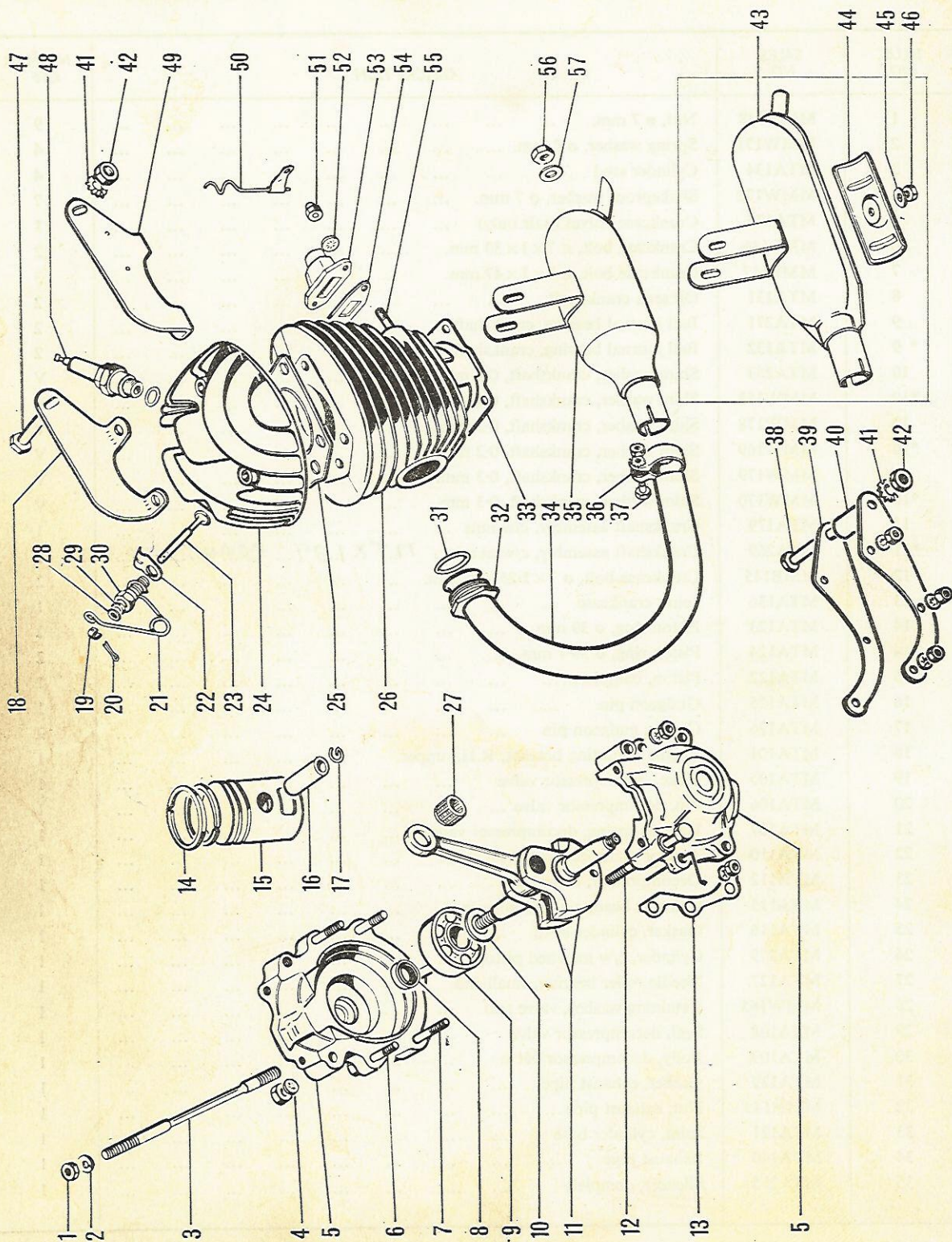
ENGINE & EXHAUST GROUP 'A'



ENGINE & EXHAUST GROUP 'A'

ILLUS. NO.	SALES NO.	DESCRIPTION	NUMBER OFF
1	MMN148	Nut, ϕ 7 mm.	9
2	MMW171	Spring washer, ϕ 7 mm.	4
3	MTA134	Cylinder stud	4
4	MMW172	Shakeproof washer, ϕ 7 mm.	7
5	MTA135	Crankcase halves (pair only)	1
6	MMB146	Crankcase bolt, ϕ 7 \times 1 \times 30 mm.	2
7	MMB147	Crankcase bolt, ϕ 7 \times 1 \times 47 mm.	3
8	MTA131	Oil seal, crankshaft	2
9	MTA271	Ball journal bearing, crankshaft	2
* 9	MTA132	Ball journal bearing, crankshaft	2
10	MTA263	Shim washer, crankshaft, 0.1 mm.	V
*10	MMW168	Shim washer, crankshaft, 0.1 mm.	V
10	MMW178	Shim washer, crankshaft, 0.2 mm.	V
*10	MMW169	Shim washer, crankshaft, 0.2 mm.	V
10	MMW179	Shim washer, crankshaft, 0.3 mm.	V
*10	MMW170	Shim washer, crankshaft, 0.3 mm.	V
11	MTA179	Crankshaft assembly, c/w nuts	1
*11	MTA269	Crankshaft assembly, c/w nuts ... <i>M.TX1.89... CRANKCASE ASSEMBLY</i>	1
12	MMB145	Crankcase bolt, ϕ 7 \times 1.25 \times 45 mm.	2
13	MTA136	Joint, crankcase	1
14	MTA123	Piston ring, ϕ 39 mm.	2
14	MTA124	Piston ring, ϕ 39.1 mm.	2
†15	MTA122	Piston, complete	1
16	MTA125	Gudgeon pin	1
17	MTA126	Circlip, gudgeon pin	2
18	MTA101	Engine mounting bracket, R.H., upper	1
19	MTA105	Yoke, decompressor valve	1
20	MTA106	Pin, decompressor valve	1
21	MTA107	Hairpin spring, decompressor valve	1
22	MTA110	Anchor plate, decompressor cable	1
23	MTA112	Decompressor, complete	1
24	MTA115	Cylinder head, c/w decompressor	1
25	MTA116	Gasket, cylinder head	1
26	MTA279	Cylinder, c/w matched piston	1
27	MTA127	Needle roller bearing, small end	1
28	MMW165	Retaining washer, valve seal	1
29	MTA108	Seal, decompressor valve	1
30	MTA109	Body, decompressor valve	1
31	MTA139	Gasket, exhaust pipe	1
32	MMN149	Nut, exhaust pipe	1
33	MTA121	Joint, cylinder base <i>dae</i>	1
34	MTA140	Exhaust pipe	1
35	MTA285	Silencer, complete	1

ENGINE & EXHAUST GROUP 'A'

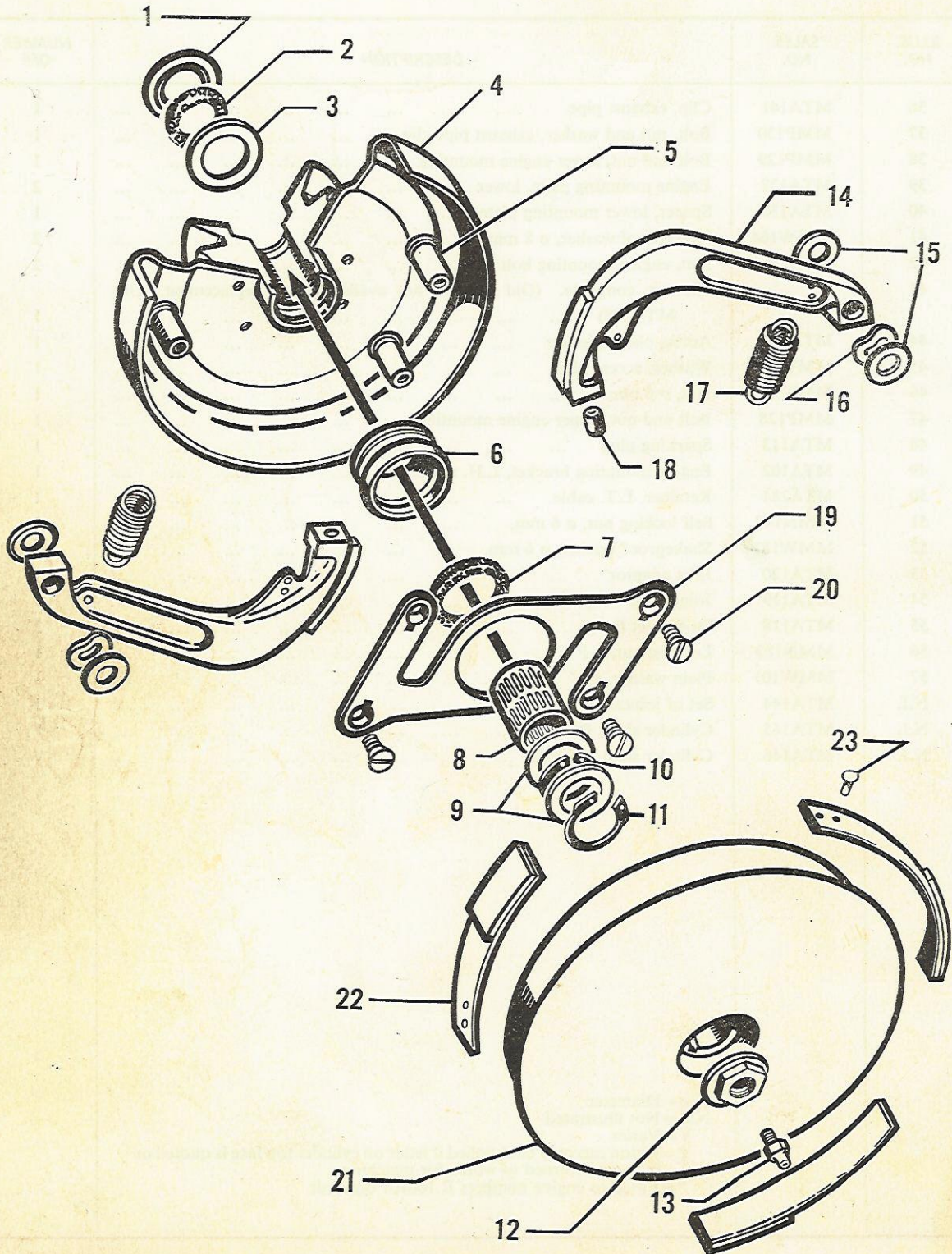


ENGINE & EXHAUST GROUP 'A'

ILLUS. NO.	SALES NO.	DESCRIPTION	NUMBER OFF
36	MTA141	Clip, exhaust pipe	1
37	MMP130	Bolt, nut and washer, exhaust pipe clip	1
38	MMP129	Bolt and nut, lower engine mounting	1
39	MTA137	Engine mounting plate, lower	2
40	MTA138	Spacer, lower mounting plates	1
41	MMW164	Shakeproof washer, \varnothing 8 mm.	2
42	MMN146	Nut, engine mounting bolt	2
43		Silencer, complete. (Old pattern, not available as a replacement. Use MTA285)	1
44	MTA143	Access plate, silencer	1
45	MMW174	Washer, access plate	1
46	MMN150	Nut, \varnothing 6 mm.	1
47	MMP128	Bolt and nut, upper engine mounting	1
48	MTA113	Sparking plug	1
49	MTA102	Engine mounting bracket, L.H. upper	1
50	MTA284	Retainer, L.T. cable	1
51	MMN147	Self locking nut, \varnothing 6 mm.	2
52	MMW181	Shakeproof washer, \varnothing 6 mm.	2
53	MTA120	Inlet adaptor	1
54	MTA119	Joint, inlet flange	1
55	MTA118	Stud, inlet flange	2
56	MMN189	Locking nut, \varnothing $\frac{1}{4}$ "	1
57	MMW101	Plain washer, \varnothing $\frac{1}{4}$ "	1
N.I.	MTA144	Set of joints and gaskets	1
N.I.	MTA145	Cylinder shim, 0.2 mm.	V
N.I.	MTA146	Cylinder shim, 0.4 mm.	V

\varnothing = Diameter
 N.I. = Not illustrated
 V = Varies
 † = Piston can only be supplied if letter on cylinder top face is quoted or cylinder returned to works for matching
 * = Fitted to engine numbers R.100101 onwards

AUTOMATIC CLUTCH GROUP 'B'

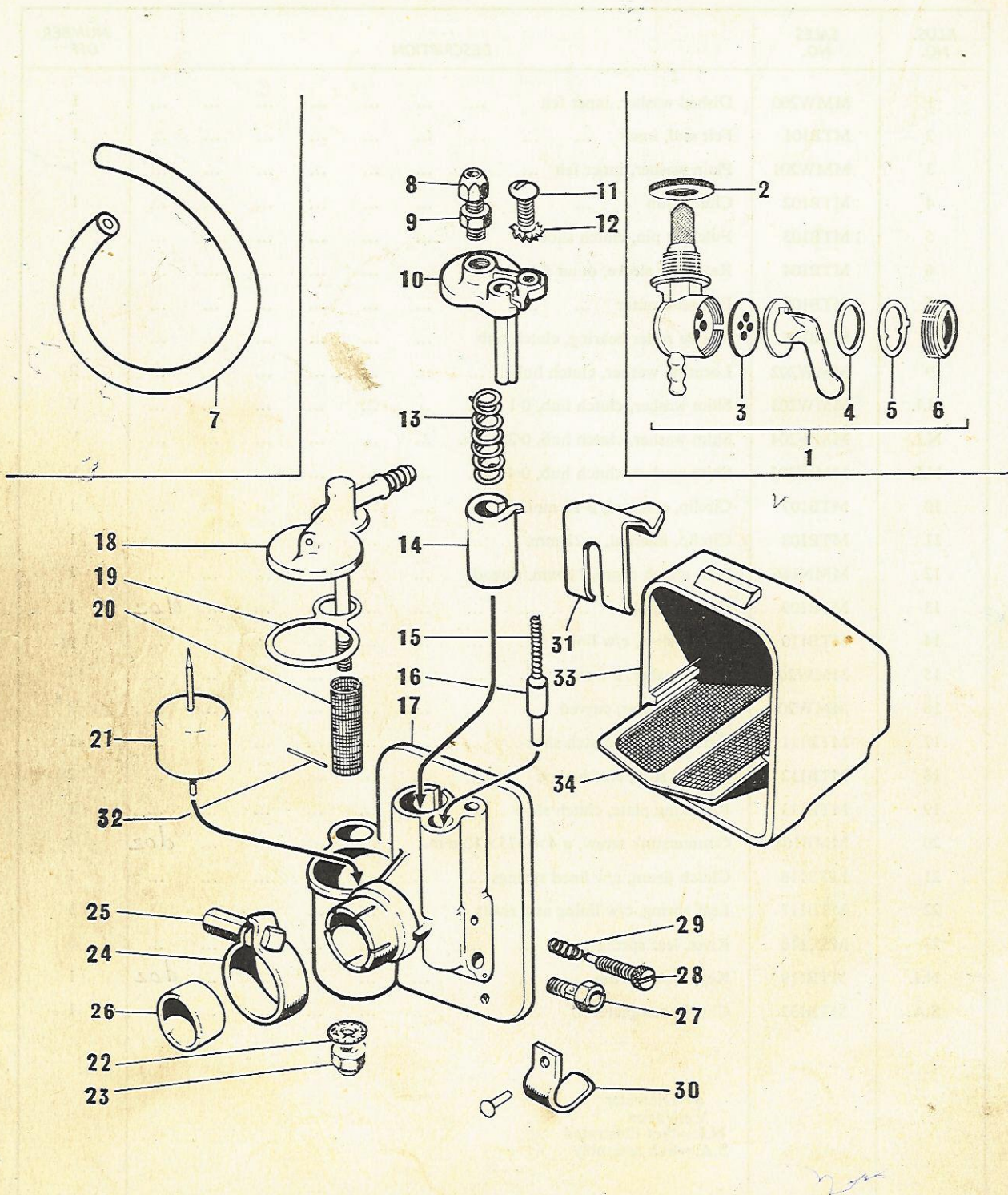


AUTOMATIC CLUTCH GROUP 'B'

ILLUS. NO.	SALES NO.	DESCRIPTION	NUMBER OFF
1	MMW200	Dished washer, inner felt	1
2	MTB101	Felt seal, inner	1
3	MMW201	Plain washer, inner felt	1
4	MTB102	Clutch hub	1
5	MTB103	Fulcrum pin, clutch shoe	4
6	MTB104	Retaining sleeve, outer felt	1
7	MTB105	Felt seal, outer	1
8	MTB106	Needle roller bearing, clutch hub	1
9	MMW202	Locating washer, clutch hub	2
N.I.	MMW203	Shim washer, clutch hub, 0.1 mm.	V
N.I.	MMW204	Shim washer, clutch hub, 0.25 mm.	V
N.I.	MMW205	Shim washer, clutch hub, 0.4 mm.	V
10	MTB107	Circlip, external, ϕ 15 mm.	1
11	MTB108	Circlip, internal, ϕ 22 mm.	1
12	MMN166	Nut, clutch drum, 11 mm. thread	1
13	MTB109	Grease nipple <i>doz</i>	1
14	MTB110	Clutch shoe, c/w lining	1 pr.
15	MMW206	Plain washer, ϕ 8 mm.	4
16	MMW207	Spring washer, curved	2
17	MTB111	Return spring, clutch shoe	2
18	MTB112	Rubber stop, clutch shoe	2
19	MTB113	Retaining plate, clutch shoe	1
20	MMB164	Countersunk screw, ϕ 4 \times 0.75 \times 10 mm. <i>doz</i>	4
21	MTB116	Clutch drum, c/w lined springs	1
22	MTB117	Leaf spring, c/w lining and rivets	3
23	MTB118	Rivet, leaf spring	6
N.I.	MTB119	Key, clutch drum <i>doz</i>	1
S.A.	MTB132	Clutch, complete	1

ϕ = Diameter
 V = Varies
 N.I. = Not illustrated
 S.A. = Sub assembly

CARBURETTOR & FUEL TAP GROUP 'C'



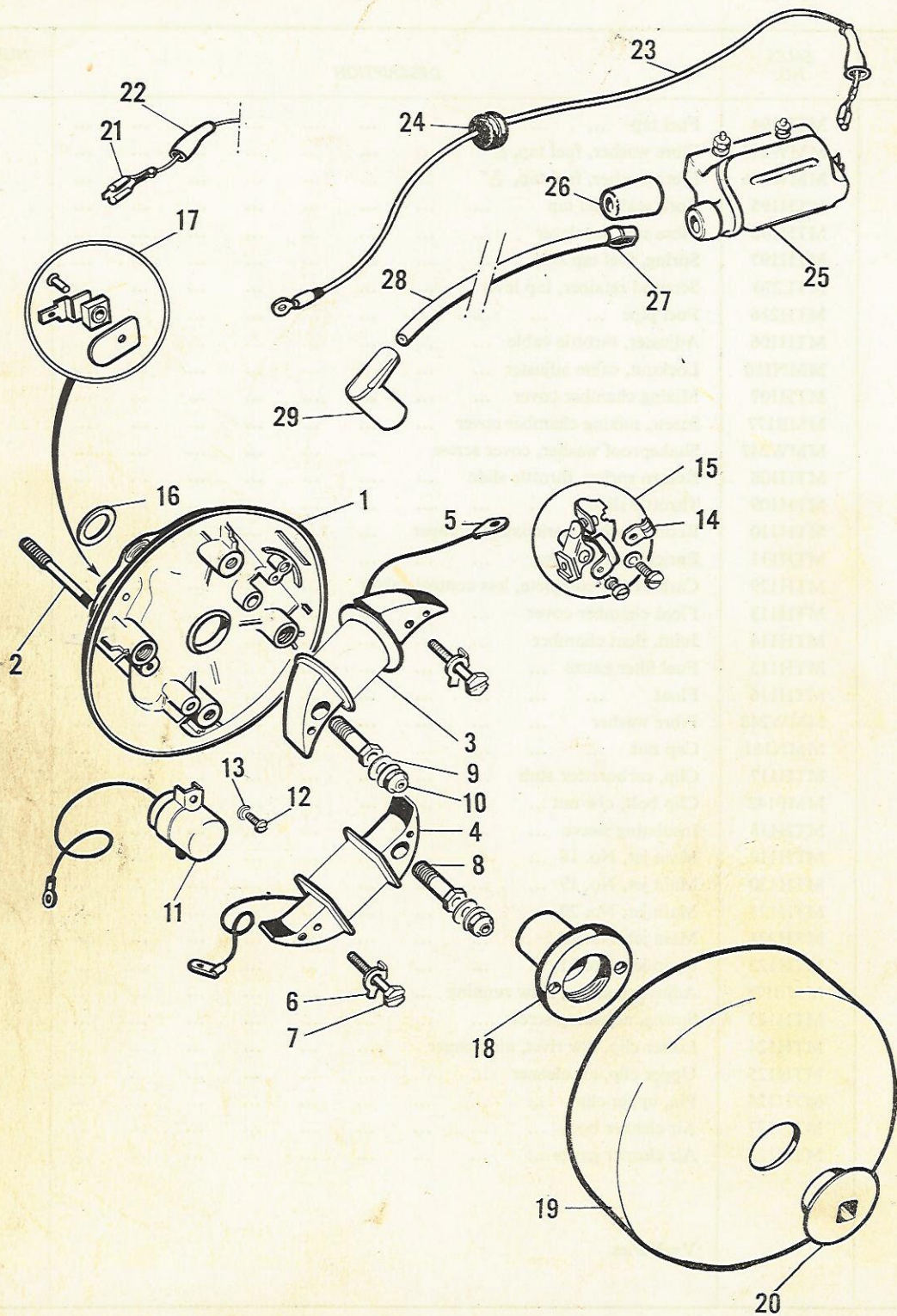
CARBURETTOR & FUEL TAP GROUP 'C'

ILLUS. NO.	SALES NO.	DESCRIPTION	NUMBER OFF
1	MTH194	Fuel tap	1
2	MMW245	Fibre washer, fuel tap, $\frac{1}{16}$ "	V
or 2	MMW246	Fibre washer, fuel tap, $\frac{3}{32}$ "	V
3	MTH195	Cork seal, fuel tap	1
4	MTH196	Fibre seal, tap lever	1
5	MTH197	Spring, fuel tap seal	1
6	MTL270	Screwed retainer, tap lever	1
7	MTH216	Fuel pipe	1
8	MTH106	Adjuster, throttle cable	1
9	MMN180	Locknut, cable adjuster	1
10	MTH107	Mixing chamber cover	1
11	MMB177	Screw, mixing chamber cover	1
12	MMW247	Shakeproof washer, cover screw	1
13	MTH108	Return spring, throttle slide	1
14	MTH109	Throttle slide	1
15	MTH110	Return spring, enrichment plunger	1
16	MTH111	Enrichment plunger	1
17	MTH129	Carburettor complete, less control cables	1
18	MTH113	Float chamber cover	1
19	MTH114	Joint, float chamber	1
20	MTH115	Fuel filter gauze	1
21	MTH116	Float	1
22	MMW248	Fibre washer	1
23	MMN181	Cap nut	1
24	MTH117	Clip, carburettor stub	1
25	MMP142	Clip bolt, c/w nut ...	1
26	MTH118	Insulating sleeve ...	1
27	MTH119	Main jet, No. 18 ...	1
or 27	MTH120	Main jet, No. 19 ...	1
or 27	MTH121	Main jet, No. 20 ...	1
or 27	MTH221	Main jet, No. 20-5 ...	1
or 27	MTH122	Main jet, No. 21 ...	1
28	MMB178	Adjusting screw, slow running	1
29	MTH123	Spring, adjusting screw	1
30	MTH124	Lower clip, c/w rivet, air cleaner	1
31	MTH125	Upper clip, air cleaner	1
32	MTH126	Pin, upper clip ...	1
33	MTH127	Air cleaner body ...	1
34	MTH128	Air cleaner gauze ...	1

202

V=Varies

FLYWHEEL MAGNETO GROUP 'D'

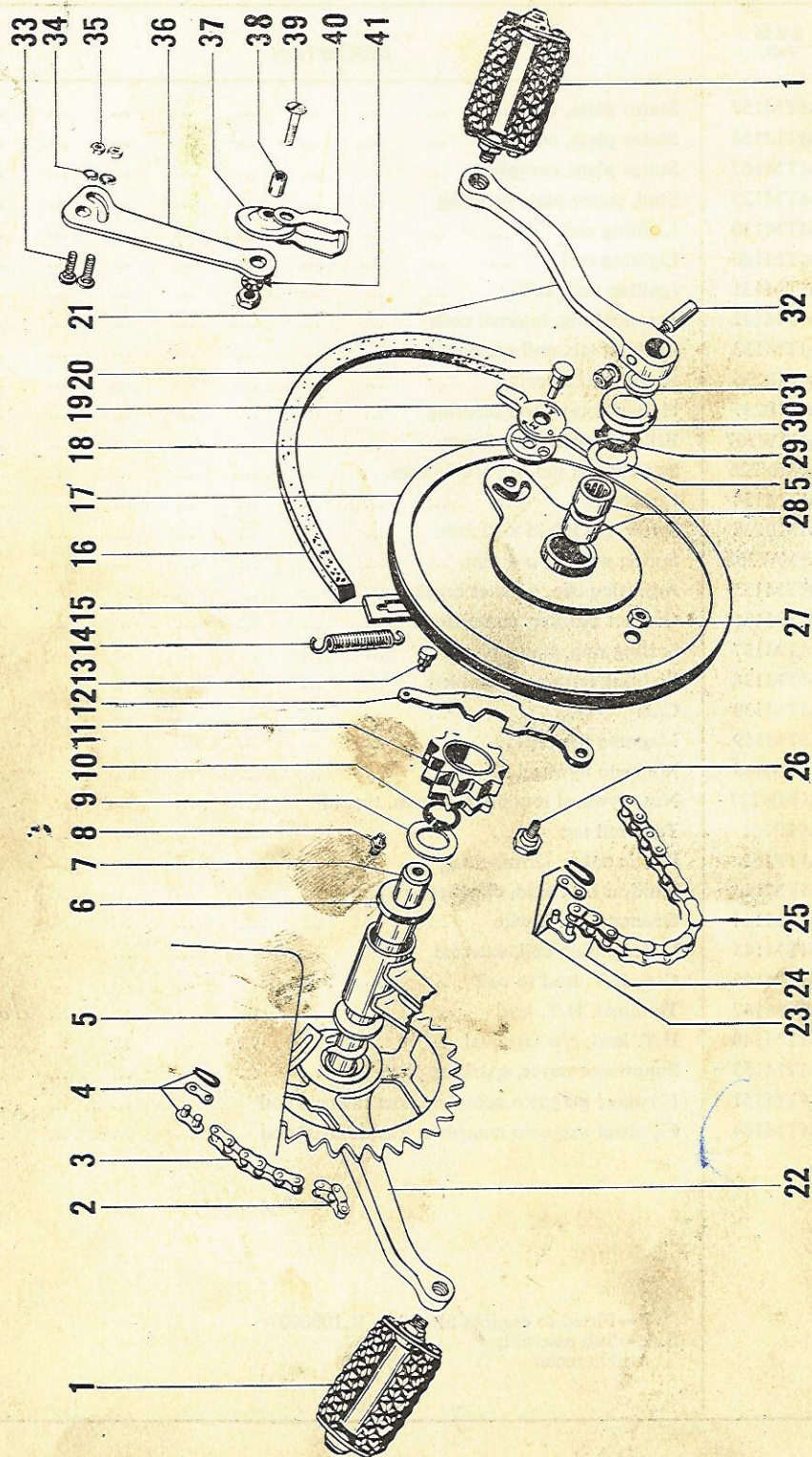


FLYWHEEL MAGNETO GROUP 'D'

ILLUS. NO.	SALES NO.	DESCRIPTION	NUMBER OFF
1	MTM157	Stator plate, bare	1
S.A.	MTM158	Stator plate, complete	1
*S.A.	MTM167	Stator plate, complete	1
2	MTM129	Stud, stator plate securing	2
3	MTM130	Lighting coil	1
*3	MTM166	Lighting coil	1
4	MTM131	Ignition coil, L.T.	1
5	MTM132	Terminal tag, internal coils	2
6	MTM133	Locking tab, coil securing screw	2
7	MMB236	Screw, coil securing	2
8	MMB237	Hollow screw, coil securing	2
9	MMW307	Belleville washer, \varnothing 5 mm.	4
10	MMN226	Self-locking nut, \varnothing 5 \times 0.75 mm.	2
11	MTM134	Condenser	1
12	MMB238	Screw, \varnothing 4 \times 0.75 \times 10 mm.	4
13	MMW308	Spring washer, \varnothing 4 mm.	4
14	MTM135	Adjusting clip, contact breaker	1
15	MTM136	Contact breaker, complete	1
16	MTM137	Sealing ring, stator plate	1
17	MTM138	Lighting terminal, complete	1
18	MTM139	Cam	1
19	MTM159	Magneto flywheel	1
*19	MTM165	Magneto flywheel	1
20	MMN227	Nut, flywheel retaining, 11 mm. thread	1
21	MTP161	Terminal tag	2
22	MTP162	Plastic cover, terminal tag	2
23	MTM143	Ignition L.T. lead, complete	1
24	MTM144	Grommet, L.T. wire	1
25	MTM145	H.T. ignition coil, external	1
26	MTM146	Cap, H.T. lead to coil	1
27	MTM147	Terminal, H.T. lead	1
28	MTM148	H.T. lead, c/w terminal	1
29	MTM153	Suppressor cover, sparking plug	1
S.A.	MTM151	Flywheel magneto complete, less external coil	1
*S.A.	MTM164	Flywheel magneto complete, less external coil	1

* = Fitted to engines after No. R.109000
 S.A. = Sub assembly
 \varnothing = Diameter

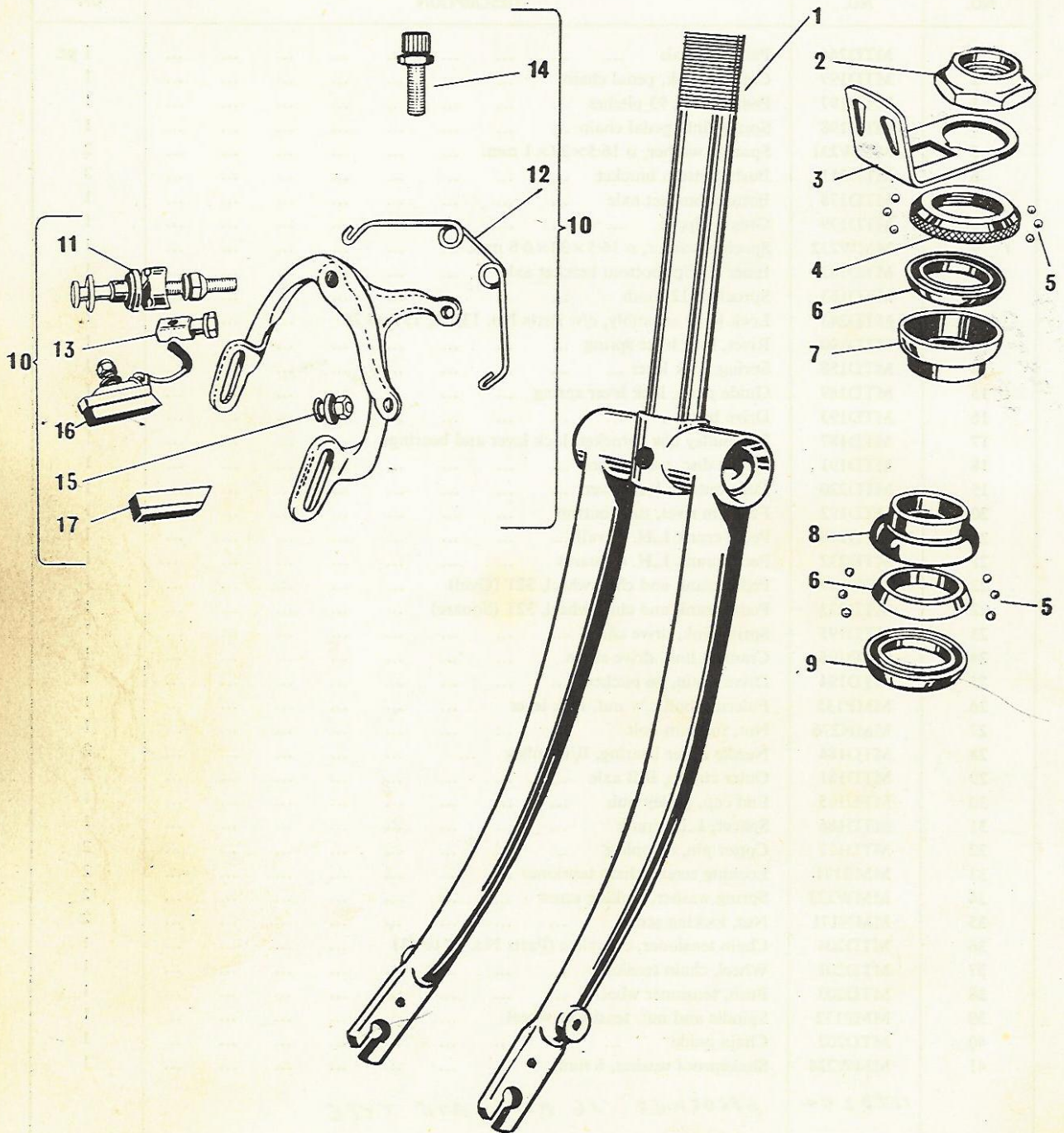
TRANSMISSION GROUP 'E'



TRANSMISSION GROUP 'E'

ILLUS. NO.	SALES NO.	DESCRIPTION	NUMBER OFF
1	MTD244	Pair of pedals	1 pr.
2	MTD199	Cranked link, pedal chain	1
3	MTD197	Pedal chain, 93 pitches	1
4	MTD198	Spring link, pedal chain	1
z 5	MMW231	Spacing washer, ϕ 16.5 \times 27 \times 1 mm.	2
6	MTD211	Bush, bottom bracket	2
7	MTD178	Bottom bracket axle	1
8	MTD179	Grease nipple	1
9	MMW232	Spacing washer, ϕ 16.5 \times 33 \times 0.8 mm.	1
10	MTD182	Inner circlip, bottom bracket axle	1
11	MTD183	Sprocket, 12 tooth	1
12	MTD243	Lock lever assembly, c/w Parts No. 13, 14, 15 and 26	1
13	MTD190	Rivet, lock lever spring	1
14	MTD188	Spring, lock lever	1
15	MTD189	Guide plate, lock lever spring	1
16	MTD193	Drive belt	1
17	MTD187	B/B pulley c/w sprocket, lock lever and bearings	1
18	MTD191	Spring disc, turn button	1
19	MTD220	Turn button, lock-lever	1
20	MTD192	Fulcrum rivet, turn button	1
21	MTD248	Pedal crank L.H. (Oval)	1
21	MTD232	Pedal crank L.H. (Square)	1
22	MTD249	Pedal crank and chainwheel, 32T (Oval)	1
22	MTD233	Pedal crank and chainwheel, 32T (Square)	1
23	MTD195	Spring link, drive chain	1
24	MTD196	Cranked link, drive chain	1
25	MTD194	Drive chain, 96 pitches	1
26	MMP135	Fulcrum bolt c/w nut, lock lever	1
27	MMN276	Nut, fulcrum bolt	1
28	MTD184	Needle roller bearing, B/B pulley	2
29	MTD181	Outer circlip, B/B axle	2
30	MTD185	End cap, pulley hub	1
31	MTD186	Spacer, L.H. crank	1
32	MTD177	Cotter pin, complete	2
33	MMB171	Locking screw, chain tensioner	2
34	MMW233	Spring washer, locking screw	2
35	MMN171	Nut, locking screw	2
36	MTD204	Chain tensioner, complete (Parts No. 33 to 41)	1
37	MTD201	Wheel, chain tensioner	1
38	MTD203	Bush, tensioner wheel	1
39	MMP132	Spindle and nut, tensioner wheel	1
40	MTD202	Chain guide	1
41	MMW234	Shakeproof washer, 6 mm.	1
	MTD254	SPROCKET 26 MM LATE TYPE ϕ =Diameter	

FRONT FORK & BRAKE GROUP 'F'

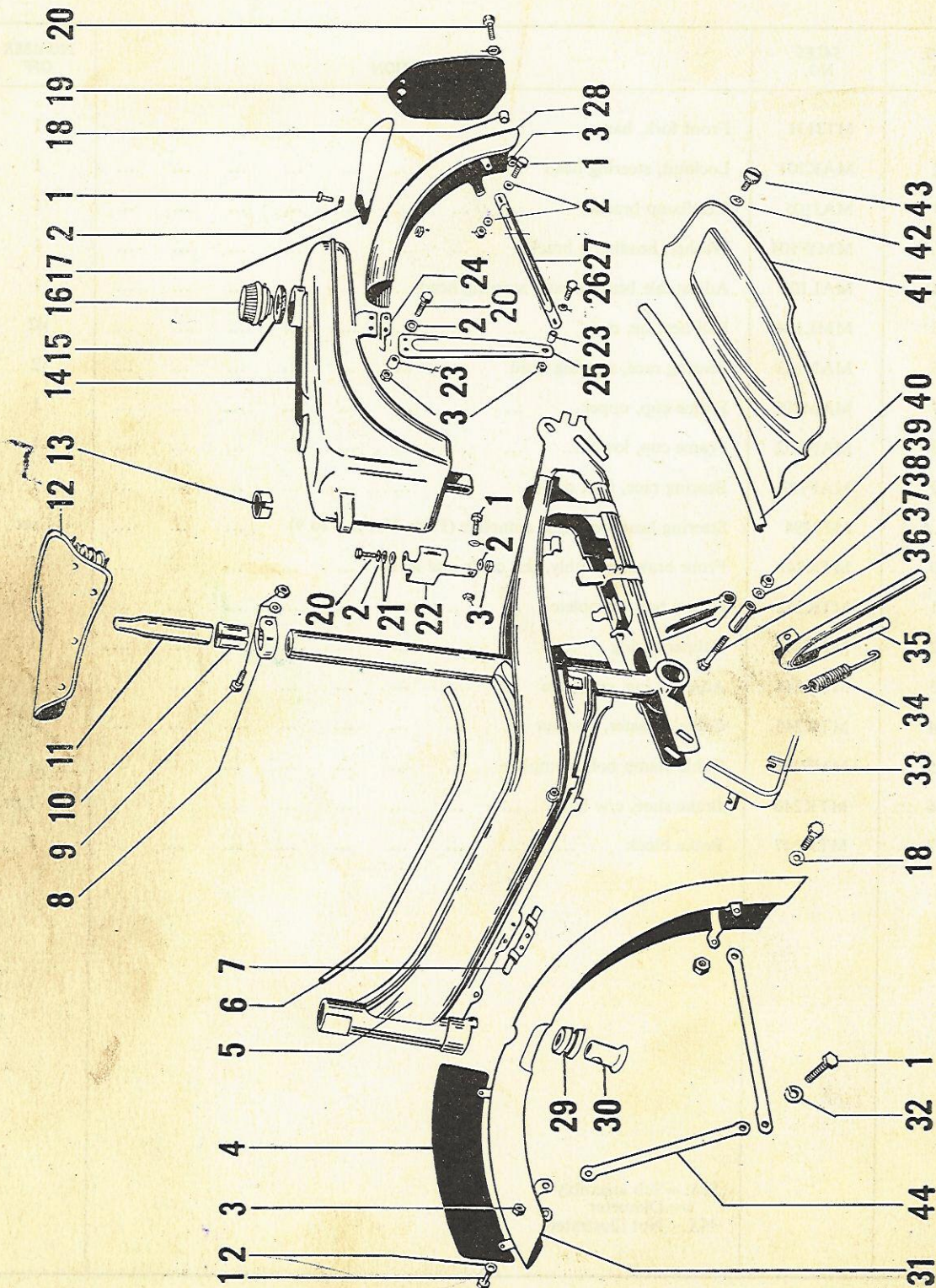


FRONT FORK & BRAKE GROUP 'F'

ILLUS. NO.	SALES NO.	DESCRIPTION	NUMBER OFF
1	MTJ131	Front fork, bare	1
2	MAK101	Locknut, steering head	1
3	MAJ105	Headlamp bracket	1
N.I.	MMW104	Washer, headlamp bracket	1
4	MAL102	Adjustable bearing race, steering head	1
5	MML104	Ball bearing, $\varnothing \frac{3}{16}$ "	42
6	MAN103	Bearing race, steering head	2
7	MAM102	Frame cup, upper	1
8	MAN102	Frame cup, lower	1
9	MAP102	Bearing race, fork crown	1
S.A.	MTJ194	Steering head bearings, complete (Parts No. 2, 4 to 9)	1 set
10	MTK241	Front brake assembly, less cable and lever	1
11	MTK242	Centre bolt, complete	1
12	MTK243	Caliper spring	1
13	MTK244	Adjuster lug, complete	1
14	MTK245	Cable adjuster, c/w nut	1
15	MMP148	Cable clamp bolt, complete	1
16	MTK246	Brake shoe, c/w block	1 pr.
17	MTK247	Brake block	2

S.A. = Sub assembly
 \varnothing = Diameter
 N.I. = Not illustrated

FRAME, FUEL TANK AND MUDGUARDS GROUP 'G'

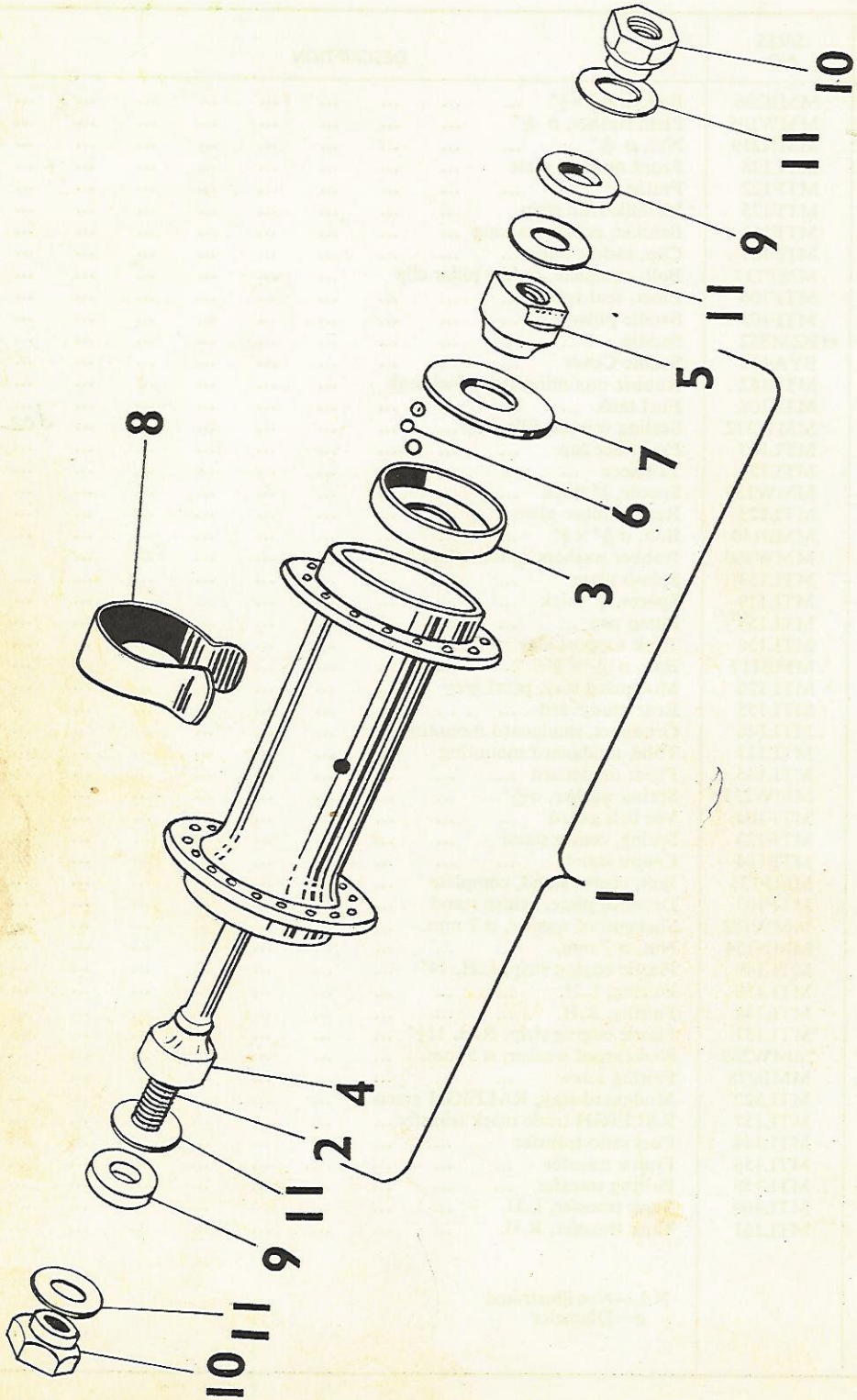


FRAME, FUEL TANK AND MUDGUARDS GROUP 'G'

ILLUS. NO.	SALES NO.	DESCRIPTION	NUMBER OFF
1	MMB206	Bolt, $\varnothing \frac{3}{16}'' \times \frac{1}{2}''$	13
2	MMW105	Plain washer, $\varnothing \frac{3}{16}''$	23
3	MMN219	Nut, $\varnothing \frac{1}{16}''$	26
4	MTL128	Front number plate	1
5	MTF122	Frame	1
6	MTF125	Metallic trim strip	1
7	MTF111	Bracket, cable retaining	1
8	MTF107	Clip, saddle pillar	1
9	MMP137	Bolt, complete, saddle pillar clip	1
10	MTF106	Liner, seat tube	1
11	MTF105	Saddle pillar	1
12	M ZM852	Saddle	1
N.I.	BYA440	Saddle Cover	1
13	MTL152	Rubber mounting strip, fuel tank	1
14	MTL108	Fuel tank	1
15	MMW372	Sealing washer, filler cap	1 <i>doz</i>
16	MTL107	Fuel filler cap	1
17	MTL121	Tailpiece	1
18	MMW139	Spacer, $\frac{1}{8}''$ thick	5
19	MTL123	Rear number plate	1
20	MMB140	Bolt, $\varnothing \frac{3}{16}'' \times \frac{3}{4}''$	6
21	MMW360	Rubber washers, splash plate bolt	4
22	MTL153	Splash plate	1
23	MTL119	Spacer, $\frac{1}{4}''$ thick	6
24	MTL154	Pump peg	1
25	MTL156	Tank support stay	2
26	MMB117	Bolt, $\varnothing \frac{3}{16}'' \times \frac{7}{8}''$	2
27	MTL126	Mudguard stay, pearl grey	2
28	MTL155	Rear mudguard	1
29	MTL146	Grommet, mudguard mounting	1
30	MTL147	Tube, mudguard mounting	1
31	MTL145	Front mudguard	1
32	MMW233	Spring washer, $\varnothing \frac{1}{16}''$	2
33	MTF104	Vee belt guard	1
34	MTF123	Spring, centre stand	1
35	MTF164	Centre stand	1
36	MMP136	Bolt, centre stand, complete	1
37	MTF103	Distance piece, centre stand	1
38	MMW182	Shakeproof washer, $\varnothing 7$ mm.	1
39	MMN154	Nut, $\varnothing 7$ mm.	1
40	MTL149	Plastic edging strip, L.H. 14"	1
41	MTL150	Fairing, L.H.	1
N.I.	MTL148	Fairing, R.H.	1
N.I.	MTL151	Plastic edging strip, R.H. 11 $\frac{1}{2}$ "	1
42	MMW289	Shakeproof washer, $\varnothing 5$ mm.	6
43	MMB278	Fairing screw	6
44	MTL322	Mudguard stay, RALEIGH green	4
N.I.	MTL157	RALEIGH trade mark transfer	1
N.I.	MTL144	Fuel ratio transfer	1
N.I.	MTL158	Frame transfer	2
N.I.	MTL159	Fairing transfer	2
N.I.	MTL160	Tank transfer, L.H.	1
N.I.	MTL161	Tank transfer, R.H.	1

N.I. = Not illustrated
 \varnothing = Diameter

FRONT WHEEL GROUP 'H'



FRONT WHEEL GROUP 'H'

ILLUS. NO.	SALES NO.	DESCRIPTION	NUMBER OFF
N.I.	MTK188	Front wheel complete, less tyre and tube	1
N.I.	MTK102	Wheel rim, 23"×2"	1
N.I.	MTK189	Spoke, front wheel <i>doz.</i>	36
N.I.	MTK104	Nipple <i>doz.</i>	36
1	MTK190	Front hub, complete	1
2	MTK191	Front wheel spindle	1
3	MHN104	Bearing cup <i>doz.</i>	2
4	MHR107	Fixed cone <i>doz.</i>	1
5	MHR117	Adjustable cone <i>doz.</i>	1
6	MML103	Ball bearing, $\phi \frac{1}{4}$ "	18
7	MMW280	Closure washer	2
8	MHP103	Lubricator cover	1
9	MMW129	Spacing washer, thick	2
10	MMN208	Nut, front wheel spindle	2
11	MMW146	Spacing washer, thin	4

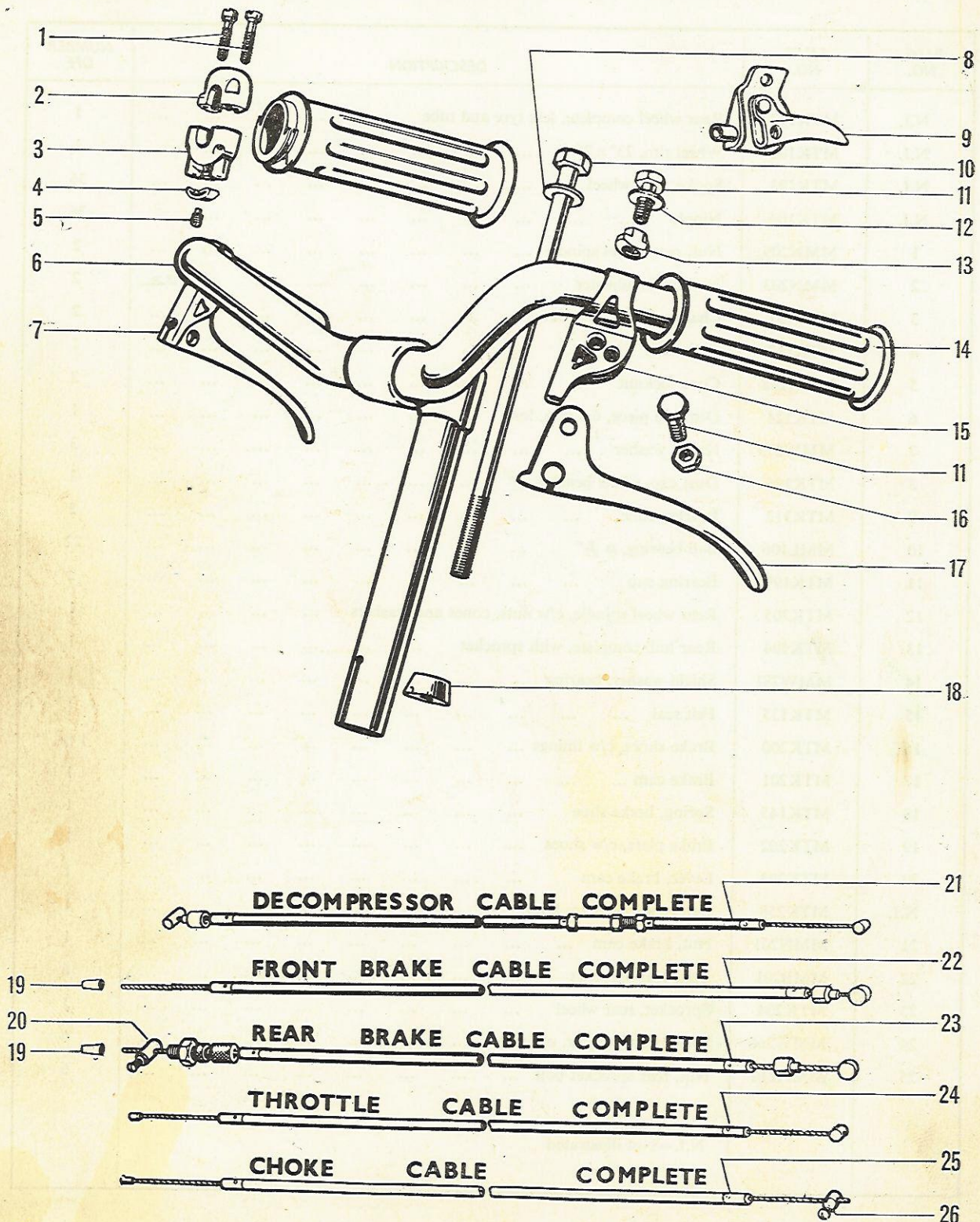
N.I. = Not illustrated
 ϕ = Diameter

REAR WHEEL GROUP '1'

ILLUS. NO.	SALES NO.	DESCRIPTION	NUMBER OFF
N.I.	MTK192	Rear wheel complete, less tyre and tube	1
N.I.	MTK102	Wheel rim, 23" x 2"	1
N.I.	MTK193	Spoke, rear wheel	36
N.I.	MTK104	Nipple	36
1	MMN209	Nut, rear wheel spindle	2
2	MMN203	Nut, chain adjuster	2
3	MTK131	Chain adjuster, c/w nut	2
4	MTK132	Freewheel	1
5	MMN198	Cone locknut	2
6	MTK124	Distance piece, 6.5 mm. long	1
7	MMW273	Keyed washer	3
8	MTK196	Dust cap, wheel bearing	2
9	MTK112	Bearing cone	2
10	MML106	Ball bearing, $\varnothing \frac{3}{32}$ "	22
11	MTK197	Bearing cup	2
12	MTK205	Rear wheel spindle, c/w nuts, cones and washers	1
13	MTK194	Rear hub complete, with sprocket	1
14	MMW281	Shield washer, bearing	1
15	MTK135	Felt seal	1
16	MTK200	Brake shoes, c/w linings	1 pr.
17	MTK201	Brake cam	1
18	MTK145	Spring, brake shoe	1
19	MTK202	Brake plate, c/w shoes	1
20	MTK203	Lever, brake cam	1
N.I.	MTK258	Return spring, cam lever	1
21	MMN201	Nut, brake cam	1
22	MMB201	Bolt, rear sprocket	6
23	MTK204	Sprocket, rear wheel	1
24	MMW266	Shakeproof washer, \varnothing 6 mm.	6
25	MMN210	Nut, rear sprocket bolt	6

\varnothing = Diameter
N.I. = Not illustrated

HANDLEBARS AND CONTROL CABLES GROUP 'J'

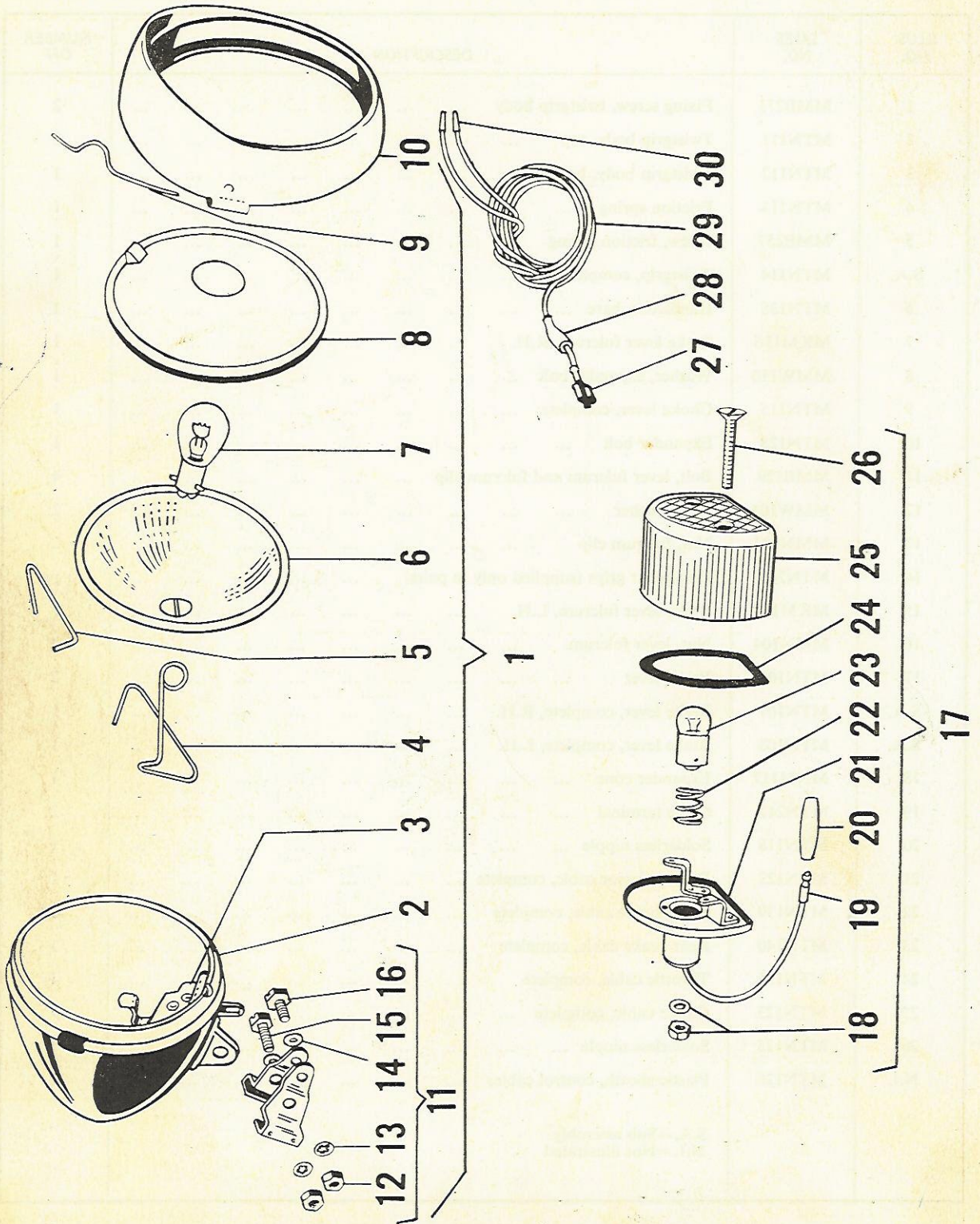


HANDLEBARS AND CONTROL CABLES GROUP 'J'

ILLUS. NO.	SALES NO.	DESCRIPTION	NUMBER OFF
1	MMB273	Fixing screw, twistgrip body	2
2	MTN111	Twistgrip body, top	1
3	MTN112	Twistgrip body, bottom	1
4	MTN113	Friction spring	1
5	MMB257	Screw, friction spring	1
S.A.	MTN114	Twistgrip, complete	1
6	MTN138	Handlebar, bare	1
7	MKM116	Brake lever fulcrum, R.H.	1
8	MMW110	Washer, expander bolt	1
9	MTN115	Choke lever, complete	1
10	MTN128	Expander bolt	1
11	MMB129	Bolt, lever fulcrum and fulcrum clip	4
12	MMW105	Plain washer	2
13	MMN127	Nut, fulcrum clip	2
14	MTN245	Handlebar grips (supplied only in pairs)	1 pr.
15	MKM117	Brake lever fulcrum, L.H.	1
16	MMN104	Nut, lever fulcrum	2
17	MTN106	Brake lever	2
S.A.	MTN107	Brake lever, complete, R.H.	1
S.A.	MTN108	Brake lever, complete, L.H.	1
18	MNM117	Expander cone	1
19	MTN242	Cable terminal	2
20	MTN118	Solderless nipple	1
21	MTN122	Decompressor cable, complete	1
22	MTN139	Front brake cable, complete	1
23	MTN140	Rear brake cable, complete	1
24	MTN121	Throttle cable, complete	1
25	MTN123	Choke cable, complete	1
26	MTN125	Solderless nipple	1
N.I.	MTN126	Plastic sheath, control cables	2

S.A. = Sub assembly
N.I. = Not illustrated

LIGHTING GROUP 'K'



LIGHTING GROUP 'K'

ILLUS. NO.	SALES NO.	DESCRIPTION	NUMBER OFF
1	MTP149	Headlamp, complete	1
2	MTP150	Headlamp body, c/w switch	1
3	MSD338	Switch complete	1
4	MSD369	Earth and reflector spring clip	1
5	MSD334	Spring clip, reflector	2
6	MSD370	Reflector	1
7	MTP136	Bulb, 6v. 15w. S.C.C.	1
8	MSD330	Headlamp lens	1
9	MSD339	Hinge pin	1
10	MSD331	Headlamp rim	1
11	MTP153	Headlamp mounting bracket adaptor, complete	1
12	MMN143	Nut, headlamp mounting	2
13	MMW157	Shakeproof washer, $\phi \frac{1}{4}$ "	2
14	MMW101	Plain washer, $\phi \frac{1}{4}$ "	2
15	MMB139	Bolt, headlamp bracket	1
16	MMB138	Bolt, headlamp pivot	1
MILLER TAIL LAMP			
17	MTP154	Tail lamp, complete (to Frame No. 6R.37434)	1
17	MTP222	Tail lamp, complete (Frame No. 6R.37435 onwards)	1
18	MMN234	Nut and washer, tail lamp fixing	2
19	MTP155	Connector nipple	1
20	MTP120	Connector	1
21	MTP156	Tail lamp backplate (to Frame No. 6R.37434)	1
21	MTP220	Tail lamp backplate (Frame No. 6R.37435 onwards)	1
22	MTP157	Bulb spring	1
23	MTP158	Bulb, tail lamp, 6v. 3w. S.C.C.	1
24	MTP159	Gasket, tail lamp lens	1
25	MTP160	Tail lamp lens (to Frame No. 6R.37434)	1
25	MTP221	Tail lamp lens (Frame No. 6R.37435 onwards)	1
26	MMB250	Screw, tail lamp lens (to Frame No. 6R.37434)	2
26	MMB315	Screw, tail lamp lens (Frame No. 6R.37435 onwards)	2
WIPAC TAIL LAMP			
N.I.	MTP223	Tail lamp, complete	1
N.I.	MTP225	Tail lamp lens	1
N.I.	MMB335	Screw, tail lamp lens	2
N.I.	MTP116	Bulb, 6v. 3w. M.E.S.	1
18	MMN234	Nut and washer, tail lamp fixing	2
WIRING			
27	MTP161	Spade terminal	1
28	MTP162	Plastic cover, spade terminal	1
29	MTP163	Wiring harness	1
30	MSD327	Ferrule, wiring harness	2
ϕ = Diameter N.I. = Not illustrated			

TOOLKIT GROUP 'L'

ILLUS. NO.	SALES NO.	DESCRIPTION	NUMBER OFF
	MTR101	Inflator	1
	MTR105	Spanner, $\frac{1}{8}'' \times \frac{3}{16}'' \times \frac{1}{4}''$ B.S.F.	1
	*MTR107	Box spanner, sparking plug	1
	*MTR146	Ring spanner	1
	MTR106	Spanner, cylinder head nuts	1
	*MTR108	Spanner, 8 mm. \times 10 mm.	1
	*MTR110	Combination spanner, 12 mm. \times 14 mm.	1
	MTR111	Combination spanner	1
	BYC574	Toolbag	1
	MTR147	Set of 4 spanners (original equipment)	1
* = Items marked thus are supplied as original equipment with new machines			

ACCESSORIES GROUP 'M'

ILLUS. NO.	SALES NO.	DESCRIPTION	NUMBER OFF
	MTR150	Legshield kit	1
	MTR113	Windscreen	1
	BYD687	Pannier (L.H.) Gordon Tartan	1
	BYD686	Pannier (R.H.) Gordon Tartan	1
	BYD688	Pannier (L.H.) Royal Stewart Tartan	1
	BYD689	Pannier (R.H.) Royal Stewart Tartan	1
	MTR148	Electric horn kit, complete	1
	MTR115	Speedometer kit, complete m.p.h.	1
	MTR315	Speedometer kit, complete, k.p.h.	1
	MTR125	Speedometer head, m.p.h.	1
	MTR317	Speedometer head, k.p.h.	1
	MTR116	Speedometer cable, complete	1
	MTR126	Lens, speedometer	1
	MTR127	Bezel, speedometer	1
	MTR128	Joint, speedometer lens	1
	MTR133	Drive unit, speedometer	1
	MTR279	Speedometer mounting bracket, complete	1
	MMN231	Nut, speedometer head securing	1
	RMM116	Touch-up-enamel (pearl grey or Raleigh green, state colour required)	
	MTR340	LEGSHIELD ROYAL BLUE	

MTR336 REAR TANK CARRIER

SERVICE EXCHANGE GROUP 'N'

ILLUS. NO.	SALES NO.	DESCRIPTION	NUMBER OFF
	MTX101	Engine unit, less magneto, clutch, carburettor, exhaust system and sparking plug	1
	MTX102	Engine unit, complete with magneto, clutch and carburettor, but less sparking plug and exhaust system	1
	MTX103	Carburettor, complete with air cleaner, but less control cables	1
	MTX117	Crankshaft, complete with small end bearing and gudgeon pin (Engine No. R.100101 onwards)	1
	MTX104	Crankshaft, complete with small end bearing and gudgeon pin (to Engine No. R.100100)	1
	MTX105	Stator plate, complete with coils, contact breaker and condenser, but less external ignition coil	1
	*MTX167	Stator plate, complete with coils, contact breaker and condenser, but less external ignition coil	1
	MTX106	Clutch complete	1
	MTX108	Clutch shoes, relined	1 pr.
	MTX132	Brake shoes, relined, rear wheel	2
	MTX130	Frame, bare	1
Clutch drum, no service exchange is available, but new leaf springs can be fitted at our works for 19s. 6d. * = Fitted to engines after No. R.109000			

CONDITIONS OF SERVICE EXCHANGE

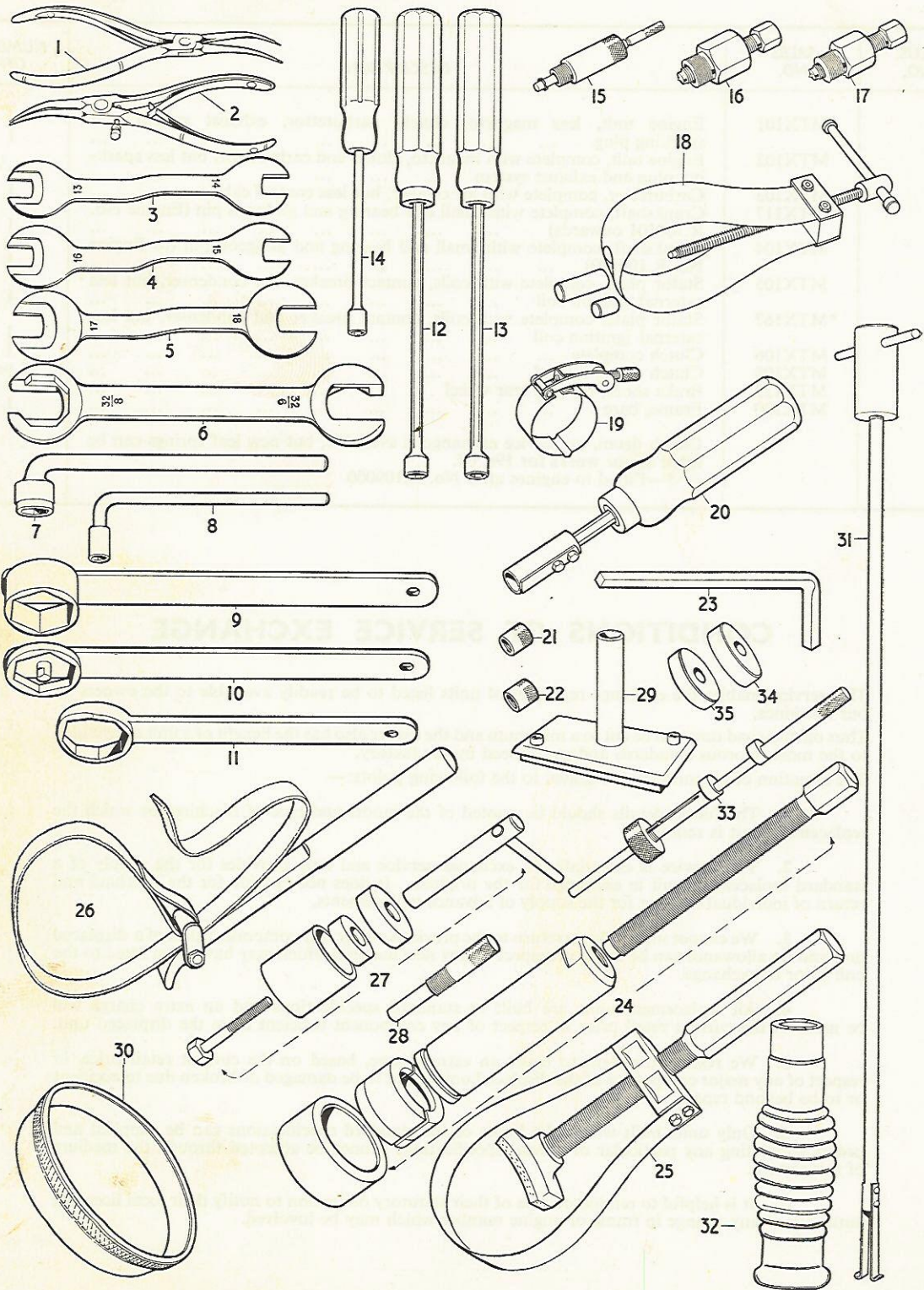
This service enables the exchange replacement units listed to be readily available to the owners of our machines.

Thus off-the-road time can be cut to a minimum and the owner also has the benefit of a unit overhauled to the most rigorous standards and guaranteed by the factory.

The attention of all concerned is drawn to the following points:—

1. The fullest details should be quoted of the model and type of machine for which the replacement unit is required.
2. This service is essentially an exchange service and only provides for the supply of a standard replacement unit in exchange for the original. It does not provide for the overhaul and return of individual units or for the supply of advance replacements.
3. We cannot undertake to return to the previous owner any component part of a displaced unit and no allowance can be made in respect of any new material which may have been fitted to the unit prior to exchange.
4. All replacement units are built to standard specifications and an extra charge will be made at the current retail price in respect of any component deficient from the displaced unit.
5. We reserve the right to make an extra charge, based on the current retail price, in respect of any major component of the displaced unit found to be damaged or broken due to accident or to be beyond repair.
6. Only units built within the limits of the standard specifications can be supplied and orders stipulating any particular or special specifications cannot be accepted through the medium of this service.
7. It is helpful to remind owners of their statutory obligation to notify their local licensing authority of any change in frame or engine number which may be involved.

SPECIAL WORKSHOP TOOLS GROUP 'O'



SPECIAL WORKSHOP TOOLS GROUP 'O'

ILLUS. NO.	SALES NO.	DESCRIPTION	NUMBER OFF
1	MTR218	Circlip pliers, internal type	
2	MTR219	Circlip pliers, external type	
3	MTR232	Cone spanner, 13×14 mm. A.F.	
4	MTR233	Cone spanner, 15×16 mm. A.F.	
5	MTR234	Cone spanner, 17×18 mm. A.F.	
*6	MTR230	Steering head locknut spanner, double ended	
7	MTR215	Clutch drum nut wrench, 14 mm. A.F.	
8	MTR221	Cylinder head nut wrench, 10 mm. A.F.	
*9	MTR216	Clutch hub nut wrench, 35 mm. A.F.	
*10	MTR229	Steering head lower bolt spanner, 32 mm. A.F.	
*11	MTR228	Steering head locknut spanner, 32 mm. A.F.	
*12	MTR225	Jet socket spanner, 9 mm. A.F.	
13	MTR226	Jet socket spanner, 8 mm. A.F.	
14	MTR227	Grease nipple socket spanner, 6 mm. A.F.	
15	MTR182	Ignition advance gauge	
16	MTR207	Magneto cam extractor	
17	MTR208	Clutch drum extractor	
18	MTR181	Gudgeon pin extractor	
19	MTR223	Piston ring clamp	
20	MTR217	Clutch key positioning tool	
21	MTR209	Thread protector, 10 mm. R.H.	
21	MTR281	Thread protector, 11 mm. R.H.	
22	MTR210	Thread protector, 10 mm. L.H.	
22	MTR211	Thread protector, 11 mm. L.H.	
23	MTR212	Flywheel nut wrench, 10 mm. square	
24	MTR224	Crankshaft bearing extractor	
25	MTR214	Flywheel holding tool, steel band type	
26	MTR213	Flywheel holding tool, webbing strap type	
*27	MTR231	Engine mounting rubber bush fitting tool	
28	MTR180	Piston stop	
*29	MTR237	Clutch holding tool	
30	MTR301	Coil centralising ring	
*31	MTR239	Fork bush removal tool	
32	MTR241	Magnetic extractor for clutch washers	
33	MTR242	Crankshaft—crankcase gauge	
34	MTR243	Dummy bearings, 42×15×13 mm.	
35	MTR244	Dummy bearings, 42×16×13 mm.	
*N.I.	MTR245	Rear hub bearing extractor	
*N.I.	MTR240	Replacement springs and rivets for MTR239 fork tool	
N.I.	MTR247	Exhaust nut spanner	

N.I. = Not illustrated
A.F. = Across flats
* = Items marked thus are not applicable to this machine

NUMERICAL INDEX

SALES NO.	GROUP	ILLUS. NO.	SALES NO.	GROUP	ILLUS. NO.	SALES NO.	GROUP	ILLUS. NO.			
BYA440	...	G	N.I.	MMN146	...	A	42	MMW232	...	E	9
BYC574	...	L		MMN147	...	A	51	MMW233	...	E	34
BYD686	...	M		MMN148	...	A	1	MMW233	...	G	32
BYD687	...	M		MMN149	...	A	32	MMW234	...	E	41
BYD688	...	M		MMN150	...	A	46	MMW245	...	C	2
BYD689	...	M		MMN154	...	G	39	MMW246	...	C	2
BZM852	...	G	12	MMN166	...	B	12	MMW247	...	C	12
MAJ105	...	F	3	MMN171	...	E	35	MMW248	...	C	22
MAK101	...	F	2	MMN180	...	C	9	MMW266	...	I	24
MAL102	...	F	4	MMN181	...	C	23	MMW273	...	I	7
MAM102	...	F	7	MMN189	...	A	56	MMW280	...	H	7
MAN102	...	F	8	MMN198	...	I	5	MMW281	...	I	14
MAN103	...	F	6	MMN201	...	I	21	MMW289	...	I	42
MAP102	...	F	9	MMN203	...	I	2	MMW307	...	D	9
MHN104	...	H	3	MMN208	...	H	10	MMW308	...	D	13
MHP103	...	H	8	MMN209	...	I	1	MMW360	...	G	21
MHR107	...	H	4	MMN210	...	I	25	MMW372	...	G	15
MHR117	...	H	5	MMN219	...	G	3	MNM117	...	J	18
MKM116	...	J	7	MMN226	...	D	10	MSD327	...	K	30
MKM117	...	J	15	MMN227	...	D	20	MSD330	...	K	8
MMB117	...	G	26	MMN231	...	M		MSD331	...	K	10
MMB129	...	J	11	MMN234	...	K	18	MSD334	...	K	5
MMB138	...	K	16	MMN276	...	E	27	MSD338	...	K	3
MMB139	...	K	15	MMP128	...	A	47	MSD339	...	K	9
MMB140	...	G	20	MMP129	...	A	38	MSD369	...	K	4
MMB145	...	A	12	MMP130	...	A	37	MSD370	...	K	6
MMB146	...	A	6	MMP132	...	E	39	MTA101	...	A	18
MMB147	...	A	7	MMP135	...	E	26	MTA102	...	A	49
MMB164	...	B	20	MMP136	...	G	36	MTA105	...	A	19
MMB171	...	E	33	MMP137	...	G	9	MTA106	...	A	20
MMB177	...	C	11	MMP142	...	C	25	MTA107	...	A	21
MMB178	...	C	28	MMP148	...	F	15	MTA108	...	A	29
MMB201	...	I	22	MMW101	...	A	57	MTA109	...	A	30
MMB206	...	G	1	MMW101	...	K	14	MTA110	...	A	22
MMB236	...	D	7	MMW104	...	F	N.I.	MTA112	...	A	23
MMB237	...	D	8	MMW105	...	G	2	MTA113	...	A	48
MMB238	...	D	12	MMW105	...	J	12	MTA115	...	A	24
MMB250	...	K	26	MMW110	...	J	8	MTA116	...	A	25
MMB257	...	J	5	MMW129	...	H	9	MTA118	...	A	55
MMB273	...	J	1	MMW139	...	G	18	MTA119	...	A	54
MMB278	...	G	43	MMW146	...	H	11	MTA120	...	A	53
MMB315	...	K	26	MMW157	...	K	13	MTA121	...	A	33
MMB335	...	K	N.I.	MMW164	...	A	41	MTA122	...	A	15
MML103	...	H	6	MMW165	...	A	28	MTA123	...	A	14
MML104	...	F	5	MMW168	...	A	10	MTA124	...	A	14
MML106	...	I	10	MMW169	...	A	10	MTA125	...	A	16
MMN104	...	J	16	MMW170	...	A	10	MTA126	...	A	17
MMN127	...	J	13	MMW171	...	A	2	MTA127	...	A	27
MMN143	...	K	12	MMW172	...	A	4	MTA131	...	A	8
				MMW174	...	A	45	MTA132	...	A	9
				MMW178	...	A	10	MTA134	...	A	3
				MMW179	...	A	10	MTA135	...	A	5
				MMW181	...	A	52	MTA136	...	A	13
				MMW182	...	G	38	MTA137	...	A	39
				MMW200	...	B	1	MTA138	...	A	40
				MMW201	...	B	3	MTA139	...	A	31
				MMW202	...	B	9	MTA140	...	A	34
				MMW203	...	B	N.I.	MTA141	...	A	36
				MMW204	...	B	N.I.	MTA143	...	A	44
				MMW205	...	B	N.I.	MTA144	...	A	N.I.
				MMW206	...	B	15	MTA145	...	A	N.I.
				MMW207	...	B	16	MTA146	...	A	N.I.
				MMW231	...	E	5				

NUMERICAL INDEX

SALES NO.	GROUP	ILLUS. NO.	SALES NO.	GROUP	ILLUS. NO.	SALES NO.	GROUP	ILLUS. NO.			
MTA179	...	A	11	MTF106	...	G	10	MTK205	...	I	12
MTA263	...	A	10	MTF107	...	G	8	MTK241	...	F	10
MTA269	...	A	11	MTF111	...	G	7	MTK242	...	F	11
MTA271	...	A	9	MTF122	...	G	5	MTK243	...	F	12
MTA279	...	A	26	MTF123	...	G	34	MTK244	...	F	13
MTA284	...	A	50	MTF125	...	G	6	MTK245	...	F	14
MTA285	...	A	35	MTF164	...	G	35	MTK246	...	F	16
MTB101	...	B	2	MTH106	...	C	8	MTK247	...	F	17
MTB102	...	B	4	MTH107	...	C	10	MTK258	...	I	N.I.
MTB103	...	B	5	MTH108	...	C	13	MTL107	...	G	16
MTB104	...	B	6	MTH109	...	C	14	MTL108	...	G	14
MTB105	...	B	7	MTH110	...	C	15	MTL119	...	G	23
MTB106	...	B	8	MTH111	...	C	16	MTL121	...	G	17
MTB107	...	B	10	MTH113	...	C	18	MTL123	...	G	19
MTB108	...	B	11	MTH114	...	C	19	MTL126	...	G	27
MTB109	...	B	13	MTH115	...	C	20	MTL128	...	G	4
MTB110	...	B	14	MTH116	...	C	21	MTL144	...	G	N.I.
MTB111	...	B	17	MTH117	...	C	24	MTL145	...	G	31
MTB112	...	B	18	MTH118	...	C	26	MTL146	...	G	29
MTB113	...	B	19	MTH119	...	C	27	MTL147	...	G	30
MTB116	...	B	21	MTH120	...	C	27	MTL148	...	G	N.I.
MTB117	...	B	22	MTH121	...	C	27	MTL149	...	G	40
MTB118	...	B	23	MTH122	...	C	27	MTL150	...	G	41
MTB119	...	B	N.I.	MTH123	...	C	29	MTL151	...	G	N.I.
MTB132	...	B	S.A.	MTH124	...	C	30	MTL152	...	G	13
MTD177	...	E	32	MTH125	...	C	31	MTL153	...	G	22
MTD178	...	E	7	MTH126	...	C	32	MTL154	...	G	24
MTD179	...	E	8	MTH127	...	C	33	MTL155	...	G	28
MTD181	...	E	29	MTH128	...	C	34	MTL156	...	G	25
MTD182	...	E	10	MTH129	...	C	17	MTL157	...	G	N.I.
MTD183	...	E	11	MTH194	...	C	1	MTL158	...	G	N.I.
MTD184	...	E	28	MTH195	...	C	3	MTL159	...	G	N.I.
MTD185	...	E	30	MTH196	...	C	4	MTL160	...	G	N.I.
MTD186	...	E	31	MTH197	...	C	5	MTL161	...	G	N.I.
MTD187	...	E	17	MTH216	...	C	7	MTL270	...	G	6
MTD188	...	E	14	MTH221	...	C	27	MTL322	...	G	44
MTD189	...	E	15	MTJ131	...	F	1	MTM129	...	D	2
MTD190	...	E	13	MTJ194	...	F	S.A.	MTM130	...	D	3
MTD191	...	E	18	MTK102	...	H	N.I.	MTM131	...	D	4
MTD192	...	E	20	MTK102	...	I	N.I.	MTM132	...	D	5
MTD193	...	E	16	MTK104	...	H	N.I.	MTM133	...	D	6
MTD194	...	E	25	MTK104	...	I	N.I.	MTM134	...	D	11
MTD195	...	E	23	MTK112	...	I	9	MTM135	...	D	14
MTD196	...	E	24	MTK124	...	I	6	MTM136	...	D	15
MTD197	...	E	3	MTK131	...	I	3	MTM137	...	D	16
MTD198	...	E	4	MTK132	...	I	4	MTM138	...	D	17
MTD199	...	E	2	MTK135	...	I	15	MTM139	...	D	18
MTD201	...	E	37	MTK145	...	I	18	MTM143	...	D	23
MTD202	...	E	40	MTK188	...	H	N.I.	MTM144	...	D	24
MTD203	...	E	38	MTK189	...	H	N.I.	MTM145	...	D	25
MTD204	...	E	36	MTK190	...	H	1	MTM146	...	D	26
MTD211	...	E	6	MTK191	...	H	2	MTM147	...	D	27
MTD220	...	E	19	MTK192	...	I	N.I.	MTM148	...	D	28
MTD232	...	E	21	MTK193	...	I	N.I.	MTM151	...	D	S.A.
MTD233	...	E	22	MTK194	...	I	13	MTM153	...	D	29
MTD243	...	E	12	MTK196	...	I	8	MTM157	...	D	1
MTD244	...	E	1	MTK197	...	I	11	MTM158	...	D	S.A.
MTD248	...	E	21	MTK200	...	I	16	MTM159	...	D	19
MTD249	...	E	22	MTK201	...	I	17	MTM164	...	D	S.A.
MTF103	...	G	37	MTK202	...	I	19	MTM165	...	D	19
MTF104	...	G	33	MTK203	...	I	20	MTM166	...	D	3
MTF105	...	G	11	MTK204	...	I	23	MTM167	...	D	S.A.

NUMERICAL INDEX

SALES NO.	GROUP	ILLUS. NO.	SALES NO.	GROUP	ILLUS. NO.	SALES NO.	GROUP	ILLUS. NO.			
MTN106	...	J	17	MTP221	...	K	25	MTR223	...	O	19
MTN107	...	J	S.A.	MTP222	...	K	17	MTR224	...	O	24
MTN108	...	J	S.A.	MTP223	...	K	N.I.	MTR225	...	O	12
MTN111	...	J	2	MTP225	...	K	N.I.	MTR226	...	O	13
MTN112	...	J	3	MTR101	...	L		MTR227	...	O	14
MTN113	...	J	4	MTR105	...	L		MTR228	...	O	11
MTN114	...	J	S.A.	MTR106	...	L		MTR229	...	O	10
MTN115	...	J	9	MTR107	...	L		MTR230	...	O	6
MTN118	...	J	20	MTR108	...	L		MTR231	...	O	27
MTN121	...	J	24	MTR110	...	L		MTR232	...	O	3
MTN122	...	J	21	MTR111	...	L		MTR233	...	O	4
MTN123	...	J	25	MTR113	...	M		MTR234	...	O	5
MTN125	...	J	26	MTR115	...	M		MTR237	...	O	29
MTN126	...	J	N.I.	MTR116	...	M		MTR239	...	O	31
MTN128	...	J	10	MTR125	...	M		MTR240	...	O	N.I.
MTN138	...	J	6	MTR126	...	M		MTR241	...	O	32
MTN139	...	J	22	MTR127	...	M		MTR242	...	O	33
MTN140	...	J	23	MTR128	...	M		MTR243	...	O	34
MTN242	...	J	19	MTR133	...	M		MTR244	...	O	35
MTN245	...	J	14	MTR146	...	L		MTR245	...	O	N.I.
				MTR147	...	L		MTR247	...	O	N.I.
MTP116	...	K	N.I.	MTR148	...	M		MTR279	...	M	
MTP120	...	K	20	MTR150	...	M		MTR281	...	O	21
MTP136	...	K	7	MTR180	...	O	28	MTR301	...	O	30
MTP149	...	K	1	MTR181	...	O	18	MTR315	...	M	
MTP150	...	K	2	MTR182	...	O	15	MTR317	...	M	
MTP153	...	K	11	MTR207	...	O	16				
MTP154	...	K	17	MTR208	...	O	17	MTX101	...	N	
MTP155	...	K	19	MTR209	...	O	21	MTX102	...	N	
MTP156	...	K	21	MTR210	...	O	22	MTX103	...	N	
MTP157	...	K	22	MTR211	...	O	22	MTX104	...	N	
MTP158	...	K	23	MTR212	...	O	23	MTX105	...	N	
MTP159	...	K	24	MTR213	...	O	26	MTX106	...	N	
MTP160	...	K	25	MTR214	...	O	25	MTX108	...	N	
MTP161	...	D	21	MTR215	...	O	7	MTX117	...	N	
MTP161	...	K	27	MTR216	...	O	9	MTX130	...	N	
MTP162	...	D	22	MTR217	...	O	20	MTX132	...	N	
MTP162	...	K	28	MTR218	...	O	1	MTX167	...	N	
MTP163	...	K	29	MTR219	...	O	2				
MTP220	...	K	21	MTR221	...	O	8	RMM116	...	M	

Ralceigh Industries Limited.
Service Department, Motorised Products.

September, 1972.

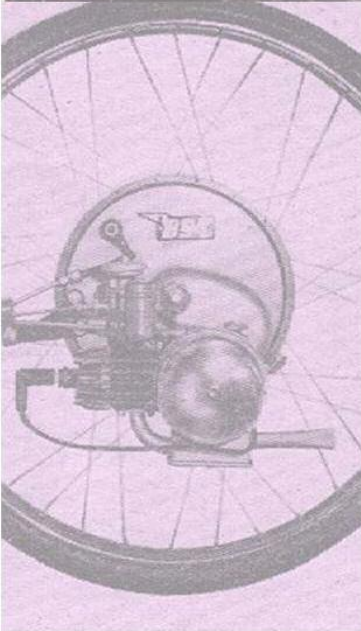
Part No. MTP 149.R.M.6. Headlamp.

We are sorry that we no longer have stocks of the above headlamp and that it has proved impossible to manufacture further supplies at an economic price.

The only alternative which we can offer is the MTP 250 lamp, the trade price of which is £4.68. This is the $4\frac{1}{2}$ " export type of headlamp fitted with a double filament bulb, 6v 15/15w.

It has been necessary for your order for MTP 149 to be cancelled and we await your instructions regarding the supply of the MTP 250 type.

IceniCAM Information Service



www.icenicam.org.uk