

**MOPED SPARE PARTS LIST**

***RALEIGH* Supermatic MOPED MODEL RM 5**

ISSUED BY



**RALEIGH INDUSTRIES LIMITED · PRICE 2/-**

## **INSTRUCTIONS FOR ORDERING**

It is essential that the following information is provided with every order for spare parts:—

1. Type and Model of the machine
2. Frame and Engine numbers
3. Part number, description and quantity of each spare part required.

Failure to provide this necessary information will inevitably lead to delay in fulfilling the order.

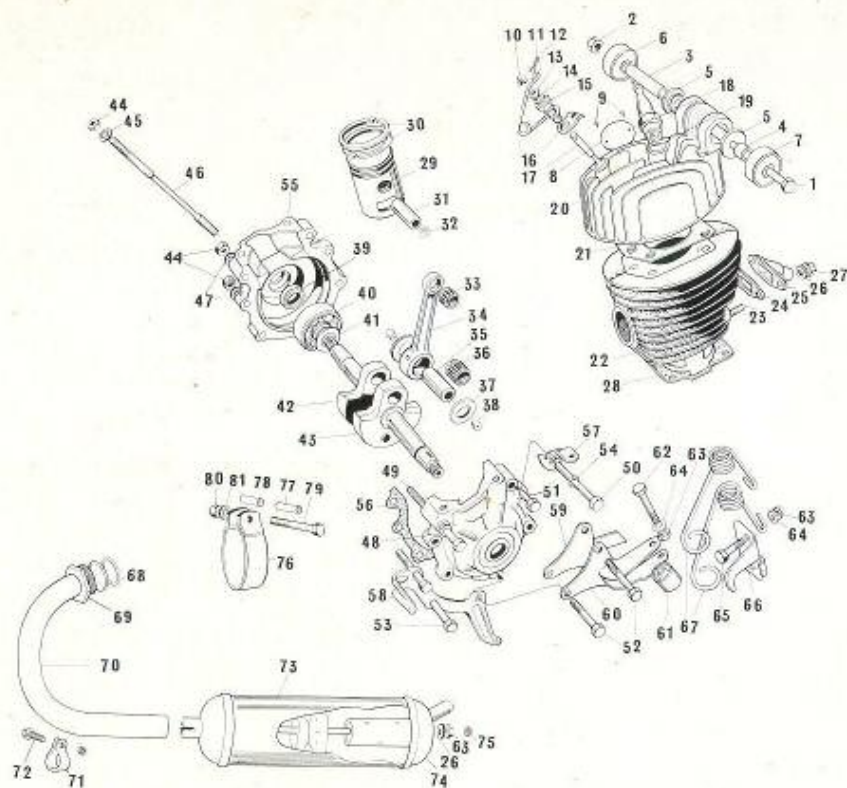
NOTE.—We reserve the right to alter or vary the specifications of any parts herein listed without prior notice and the General Terms and Conditions of Sale and Guarantee of our Motorised Division apply.

## **INDEX**

	Group
Engine and exhaust ... ..	A
Clutch and variable pulley ... ..	B
Fuel system ... ..	C
Magneto ... ..	D
Transmission ... ..	E
Front fork ... ..	F
Frame ... ..	G
Rear suspension and dual seat ... ..	H
Front wheel ... ..	I
Rear wheel ... ..	J
Handlebars, control cables and electric horn ... ..	K
Headlamp, rearlamp and speedometer ... ..	L
Tools ... ..	M
Accessories ... ..	N
Special workshop tools ... ..	O

# RALEIGH Supermatic MOPED MODEL RM 5

## ENGINE & EXHAUST — GROUP A

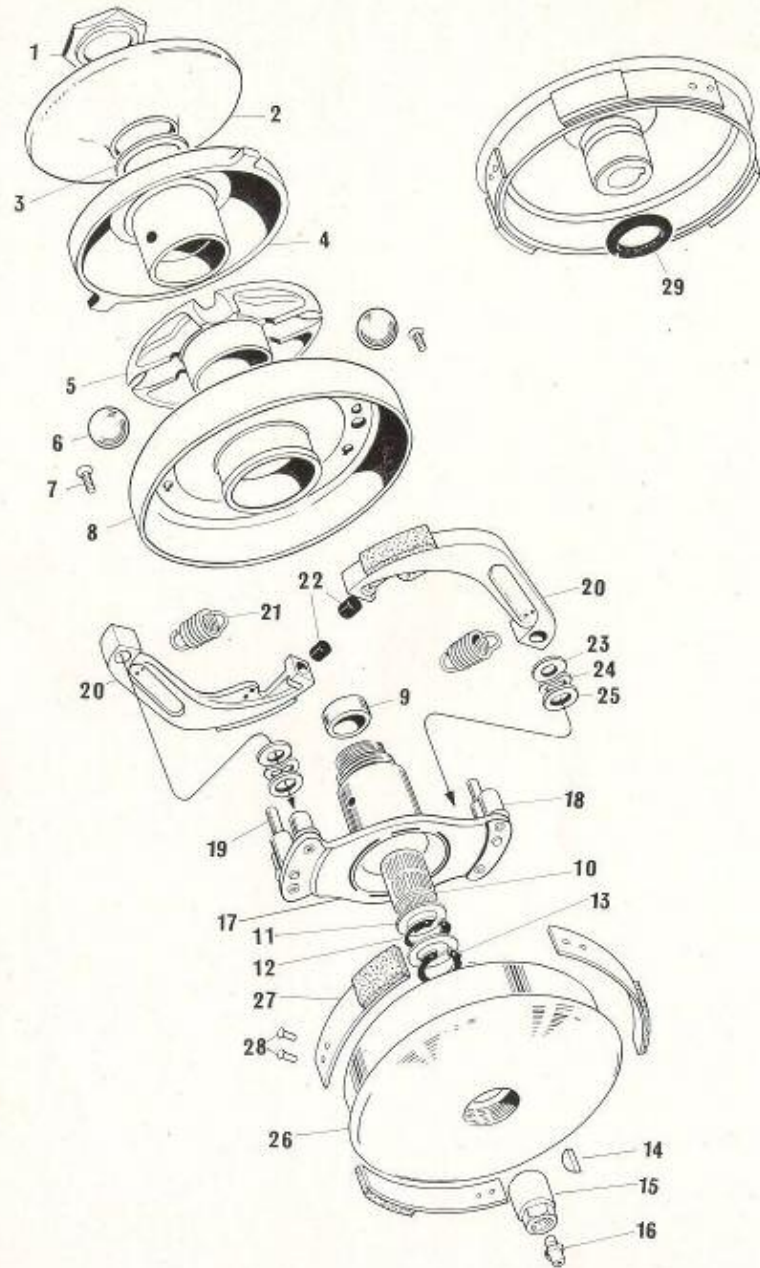


ILLUST. No.	PART No.	DESCRIPTION	No. OFF
1	4000130	Bolt, engine mounting, upper	1
2	4000132	Nut, upper mounting bolt	1
3	4000207	Spacer, upper mounting bolt, 41 mm. long	1
4	4000141	Spacer, upper mounting bolt, 4 mm. long	1
5	4000129	Shouldered plug, upper mounting	2
6	4533089	Rubber bush, R.H. upper mounting	1
7	4533089	Rubber bush, L.H. upper mounting	1
8	4010723	Plate, engine type	1
9	4561063	Screw, engine type plate	2
10	4000341	Yoke, decompressor valve	1
11	4000337	Pin, decompressor valve	1
12	4000336	Hairpin spring	1
13	4000342	Retaining washer, valve seal	1
14	4000338	Seal, decompressor valve	1
15	4000339	Body, decompressor valve	1
16	4000340	Anchor plate, decompressor cable	1
17	4000335	Decompressor valve	1
S.A.	6200329	Decompressor, complete	1

ILLUST. No.	PART No.	DESCRIPTION	No. OFF
18	6200540	Sparkling plug, c/w washer	1
19	6200401	Washer, sparking plug	1
20	4000142	Cylinder head, bare	1
S.A.	6200405	Cylinder head, c/w decompressor	1
21	4000344	Gasket, cylinder head	1
22	6200403	Cylinder, c/w matched piston	1
23	4000352	Stud, inlet flange	2
24	4000145	Joint, inlet flange	1
25	4000144	Inlet adaptor	1
26	4000353	Plain washer, ø 6 mm.	3
27	4533086	Self-locking nut, ø 6 mm. x 1 mm.	2
28	4000346	Joint, cylinder base	1
*29	6200591	Piston assembly, complete	1
30	4000308	Piston ring, ø 39 mm.	2
or 30	4000272	Piston ring, ø 39-1 mm.	2
31	4000310	Gudgeon pin	1
32	4533045	Circlip, gudgeon pin	2
33	4533049	Needle roller bearing, small end	1

ILLUST. No.	PART No.	DESCRIPTION	No. OFF
34	6200402	Connecting rod assembly, complete	1
35	4000314	Crankpin	1
36	4533158	Needle roller bearing, big end	1
37	4000160	Washer, crankpin	2
38	6200326	Taper plug, crankpin	2
39	4533052	Oil seal, crankshaft	2
40	4533159	Ball journal bearing, crankshaft	2
41	4000161	Shim washer, crankshaft, 0-1 mm.	V
41	4000284	Shim washer, crankshaft, 0-2 mm.	V
41	4000162	Shim washer, crankshaft, 0-3 mm.	V
42	4000159	Crankshaft half, magneto side	1
43	4000158	Crankshaft half, clutch side	1
S.A.	6225032	Crankshaft assembly, complete	1
44	4010909	Nut, ø 7 mm. x 1 mm.	10
45	4000143	Shakeproof washer, ø 7 mm. x 15 mm. O.D.	4
46	4000324	Cylinder stud	4
47	4010908	Shakeproof washer, ø 7 mm. x 12 mm. O.D.	6
48	4000151	Plain washer, ø 7 mm.	1
49	4000318	Crankcase bolt, ø 7 x 1 x 70 mm.	1
50	4000317	Crankcase bolt, ø 7 x 1-25 x 45 mm.	1
51	4000319	Crankcase bolt, ø 7 x 1 x 30 mm.	2
52	4000320	Crankcase bolt, ø 7 x 1 x 47 mm.	2
53	4000150	Crankcase bolt, ø 7 x 1 x 41 mm.	1
54	4000322	Spring washer, ø 7 mm.	1
55	6200330	Crankcase halves, c/w joint	1
56	4000345	Joint, crankcase	1
57	4000152	Bracket, clutch fairing, upper	1
58	4000153	Bracket, clutch fairing, lower	1
59	4000156	Bracket, engine mounting, lower R.H.	1
60	6225030	Bracket, engine mounting, lower L.H.	1
61	4533083	Rubber bush, engine lower mounting	1
62	4000137	Bolt, engine mounting bush, lower	1
63	4000375	Nut, ø 6 mm.	4
64	4010742	Shakeproof washer, ø 6 mm.	3
65	4000136	Bolt, ø 6 x 1 x 20 mm., spring retaining bracket	2
66	4000135	Bracket, spring retaining	1
67	6200402	Spring, belt tension	1 pr.
68	4000370	Gasket, exhaust pipe	1
69	4000372	Nut, exhaust pipe	1
70	4000113	Exhaust pipe	1
71	4000373	Clip, exhaust pipe	1
72	6200337	Bolt, exhaust pipe clip, c/w nut	1
73	6225024	Silencer, complete	1
74	6225026	Tail pipe, silencer	1
75	4020160	Locknut, ø 6 mm.	1
76	6225023	Clip, silencer mounting	2
77	4000115	Spacer, silencer clip, 27 mm. long	2
78	4000114	Spacer, silencer clip, 22 mm. long	2
79	4010385	Bolt, silencer clip	2
80	4010387	Nut, ø 7 mm., silencer clip bolt	2
81	4010386	Shakeproof washer, ø 7 mm.	2
S.A.	6200379	Set of crankcase bolts	1
S.A.	6200406	Set of engine joints and gaskets	1
N.I.	6200334	Cylinder shim, 0-2 mm.	V
N.I.	6200335	Cylinder shim, 0-4 mm.	V
S.A.	6200407	Exhaust system, complete	1

S.A.—Sub assembly (not illustrated) N.I.—Not illustrated ø=Diameter V=Varies O.D.—Outside diameter \*Note.—Pistons only supplied to pattern



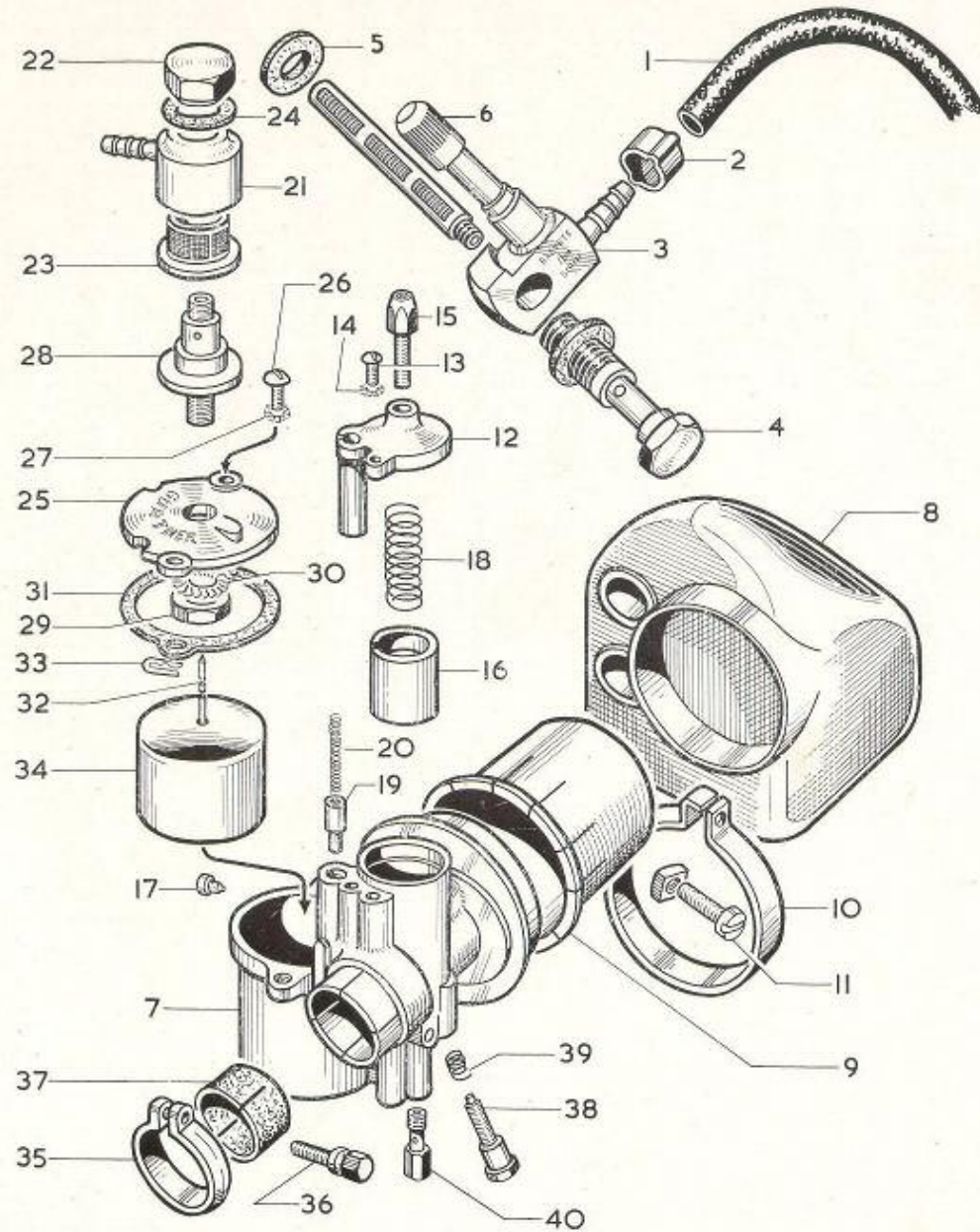
ILLUST. No.	PART No.	DESCRIPTION	No. OFF
1	4000178	Nut, pulley fixed flange	1
2	4000177	Fixed flange, pulley	1
3	4000175	Washer, sliding flange stop	1
4	4000176	Sliding flange, pulley	1
5	4533164	Plastic cage, speed change balls	1
6	4533165	Steel ball $\phi \frac{1}{8}$ "	4
7	4000179	Countersunk screw, $\phi 4 \times .75 \times 14$ mm.	4
8	6225037	Clutch flange	1
9	4000174	Hollow plug, needle bearing housing	1
10	4533050	Needle roller bearing, $\phi 15 \times 19 \times 22$ mm.	1
11	4000393	Locating washer, clutch hub	2
N.I.	4000401	Shim washer, 0.1 mm.	V
N.I.	4000402	Shim washer, 0.25 mm.	V
N.I.	4000403	Shim washer, 0.4 mm.	V
12	4533047	Circlip, external type, $\phi 15$ mm.	1
13	4533046	Circlip, internal type, $\phi 22$ mm.	1
14	4000390	Key, clutch drum	1
15	4000170	Nut, clutch drum	1
16	4000398	Grease nipple	1
17	6225036	Clutch hub	1
18	4000180	Fulcrum pin, clutch shoe	4
19	4000173	Drive peg	2
20	6225015	Clutch shoe, c/w lining	2
21	4533166	Return spring, clutch shoe	2
22	4533059	Rubber stop, clutch shoe	2
23	4000405	Plain washer, $\phi 8$ mm.	2
24	4000182	Spring washer, curved	2
25	4000181	Plain washer, $\phi 10$ mm.	2
26	6225034	Clutch drum, c/w lined springs	1
27	6200141	Leaf spring, c/w lining and rivets	3
28	4000407	Rivet	6
29	4533163	Sealing ring	1
S.A.	6225038	Automatic clutch, c/w variable pulley	1

S.A. = Sub assembly (not illustrated)

N.I. = Not illustrated

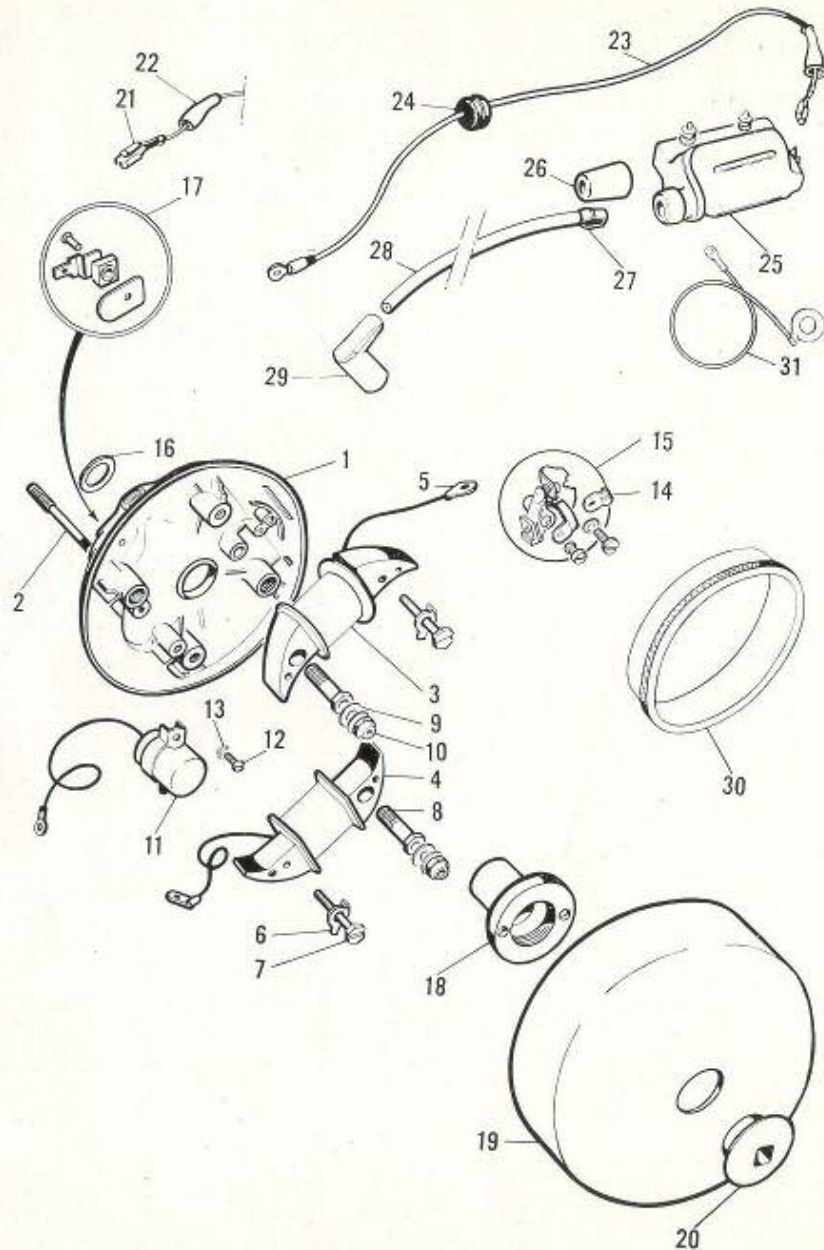
V = Varies

$\phi$  = Diameter



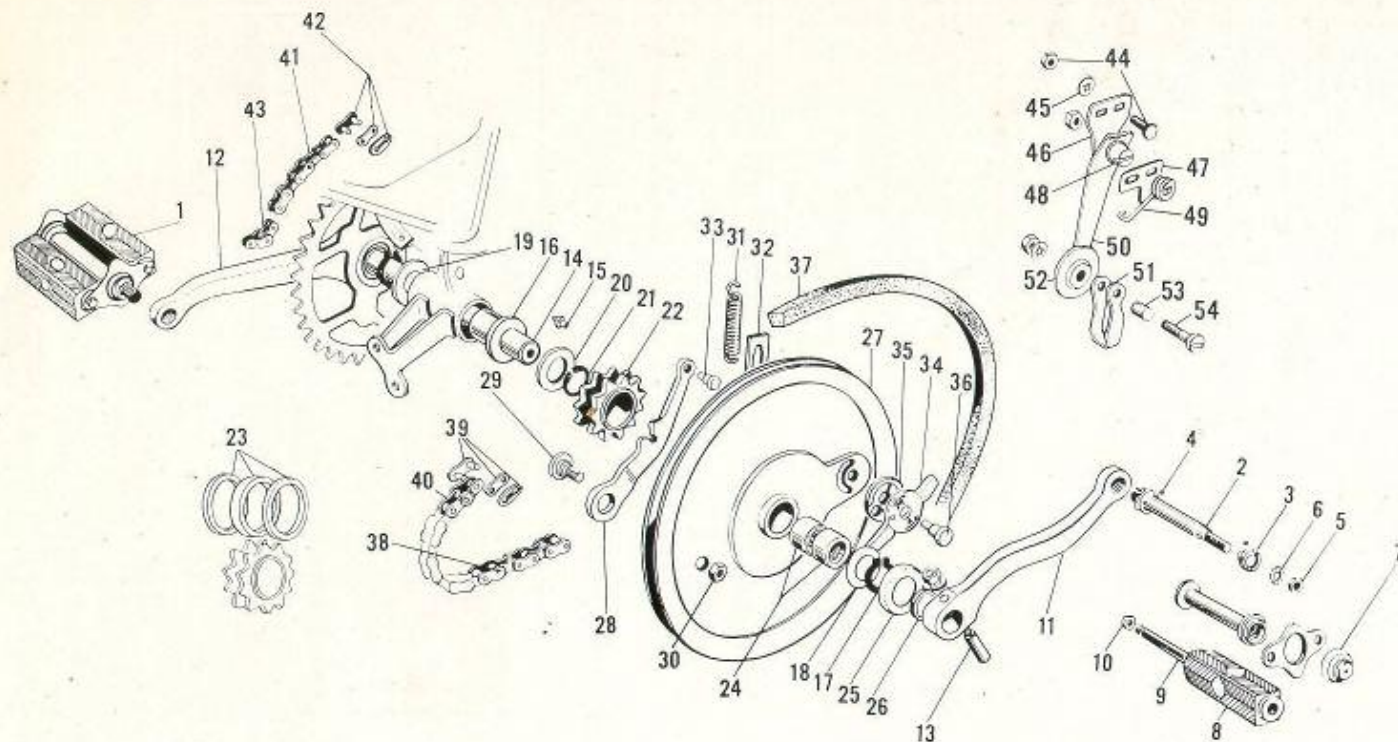
ILLUST. No.	PART No.	DESCRIPTION	No. OFF
1	4010801	Fuel pipe ... ..	1
2	4010802	Fixing collar, fuel pipe ... ..	1
3	4533085	Fuel tap, complete ... ..	1
4	6200408	Fixing bolt, c/w filter ... ..	1
5	6200409	Fibre washer, fuel tap bolt ... ..	2
6	6200410	Plastic knob, fuel tap ... ..	1
7	6200411	Body, carburettor ... ..	1
8	6200413	Plastic body, air cleaner ... ..	1
9	6200414	Sleeve, air cleaner, c/w filter ... ..	1
10	6200415	Clip, air cleaner ... ..	1
11	6200416	Screw, c/w nut, air cleaner clip ... ..	1
12	6200417	Mixing chamber cover ... ..	1
13	6200418	Screw, mixing chamber cover securing ... ..	1
14	6200419	Shakeproof washer, mixing chamber cover screw ... ..	1
15	6200226	Adjuster, throttle cable ... ..	1
16	6200421	Throttle slide ... ..	1
17	6200422	Guide screw, throttle slide ... ..	2
18	6200423	Return spring, throttle slide ... ..	1
19	6200221	Enrichment plunger ... ..	1
20	6200222	Spring, enrichment plunger ... ..	1
21	6200424	Banjo union ... ..	1
22	6200425	Cap nut, banjo union ... ..	1
23	6200426	Filter, banjo union ... ..	1
24	6200427	Fibre washer, banjo union ... ..	1
25	6200428	Float chamber cover ... ..	1
26	6200224	Screw, float chamber cover ... ..	2
27	6200225	Shakeproof washer, float chamber cover screw ... ..	2
28	6200432	Float needle seat and banjo fitting ... ..	1
29	6200433	Nut, float needle seat ... ..	1
30	6200434	Shakeproof washer, float needle seat ... ..	1
31	6200435	Joint, float chamber cover ... ..	1
32	6200436	Float needle ... ..	1
33	6200437	Clip, float needle ... ..	1
34	6200438	Float ... ..	1
35	6200439	Clip, carburettor stub ... ..	1
36	6200440	Screw, stub clip ... ..	1
37	4000146	Fibre sleeve, carburettor stub ... ..	1
38	6200441	Adjusting screw, throttle slide ... ..	1
39	6200442	Spring, throttle slide adjusting screw ... ..	1
40	6200444	Main jet No. 24 ... ..	1
40	6200445	Main jet No. 25 ... ..	1
40	6200446	Main jet No. 26 ... ..	1
S.A.	4533155	Carburettor, c/w air cleaner, less cables ... ..	1
S.A.	6200412	Air cleaner, complete ... ..	1

S.A. = Sub assembly (not illustrated)



ILLUST. No.	PART No.	DESCRIPTION	No. OFF
1	6200200	Stator plate, bare ... ..	1
S.A.	6200199	Stator plate, complete ... ..	1
2	4000348	Stud, stator plate securing ... ..	2
3	6200197	Lighting coil ... ..	1
4	6200347	Ignition coil (L.T.) ... ..	1
5	6200343	Terminal tag, internal coils ... ..	2
6	6200191	Locking tab, coil securing screw ... ..	2
7	6200190	Screw, coil securing ... ..	2
8	6200195	Hollow screw, coil securing ... ..	2
9	6200194	Belleville washer, $\phi$ 5 mm. ... ..	4
10	6200193	Self locking nut, $\phi$ 5 x .75 mm. ... ..	2
11	6200187	Condenser ... ..	1
12	6200188	Screw, $\phi$ 4 x .75 x 10 mm. ... ..	4
13	6200189	Spring washer, $\phi$ 4 mm. ... ..	4
14	6200348	Adjusting clip, contact breaker ... ..	1
15	6200186	Contact breaker complete ... ..	1
16	4533157	Sealing ring, stator plate ... ..	1
17	6200196	Lighting terminal, complete ... ..	1
18	6200185	Cam ... ..	1
19	6200183	Magneto flywheel ... ..	1
20	6200184	Nut, flywheel retaining ... ..	1
21	4533011	Terminal tag ... ..	2
22	4533012	Plastic cover, terminal tag ... ..	2
23	6200351	Ignition L.T. lead, complete ... ..	1
24	6200344	Grommet ... ..	1
25	6200350	H.T. ignition coil, external ... ..	1
26	6200342	Cap, H.T. lead to coil ... ..	1
27	6200345	Terminal, H.T. lead ... ..	1
28	6200349	H.T. lead, c/w terminal ... ..	1
29	6200532	Suppressor cap ... ..	1
30	6200346	Coil centralising ring ... ..	1
31	6225088	Earth wire, complete ... ..	1
S.A.	6200533	Flywheel magneto, c/w external coil ... ..	1
S.A.	4533156	Flywheel magneto, complete, less external coil ... ..	1

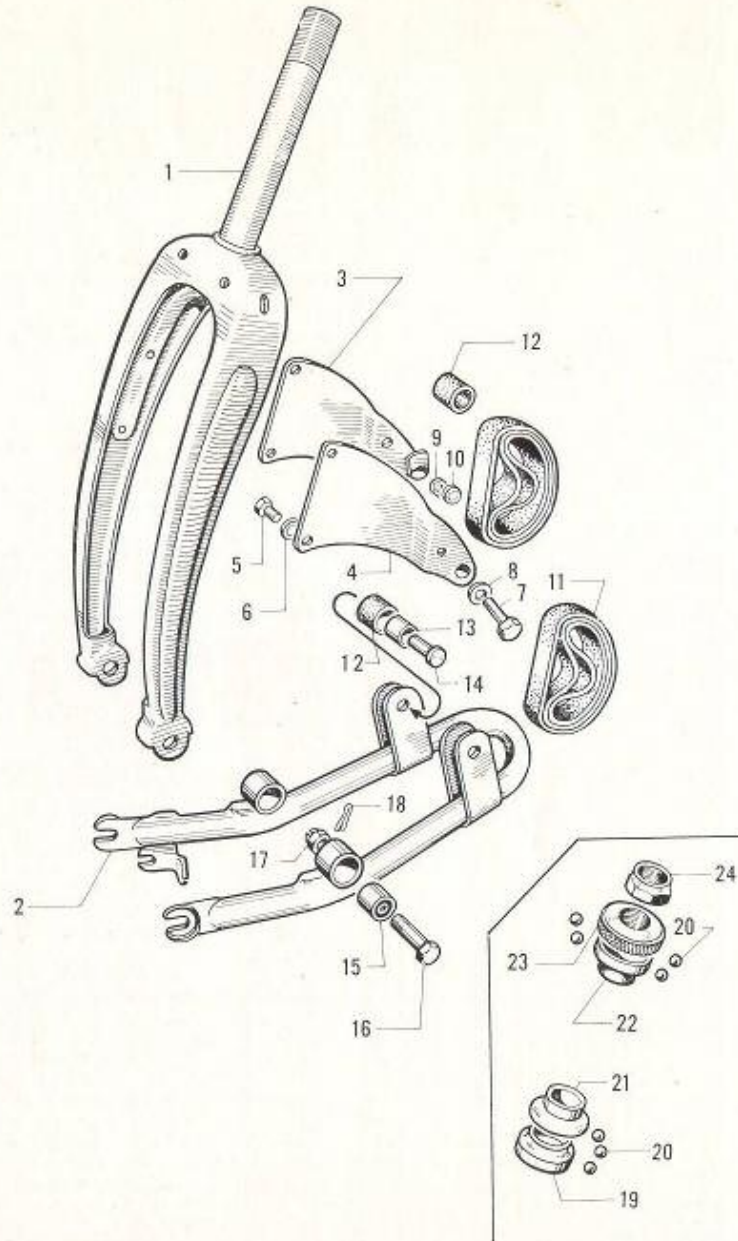
S.A. = Sub assembly (not illustrated)  
 $\phi$  = Diameter



ILLUST. No.	PART No.	DESCRIPTION	No. OFF
N.I.	6200522	Pedals, R.I. 4 1/2" ...	1 pr.
1	6245014	Pedal, R.H., R.I. 4 1/2" ...	1
N.I.	6245015	Pedal, L.H., R.I. 4 1/2" ...	1
N.I.	2930677	Pedal spindle, R.H. ...	1
2	2920677	Pedal spindle, L.H. ...	1
3	2920380	Bearing cone, pedal ...	per pedal
4	4510377	Ball bearing, 5/16" ...	per pedal
5	2920381	Locknut, pedal cone ...	per pedal
6	2661092	Keyed washer, pedal cone ...	per pedal
7	2660707	Dust cap, pedal ...	per pedal
8	4010051	Pedal rubber ...	per pedal
9	2930052	Stretcher bar, pedal ...	per pedal
10	2920443	Nut, stretcher bar ...	per pedal

ILLUST. No.	PART No.	DESCRIPTION	No. OFF
N.I.	6200583	Pedals, 4" solid rubber ...	1 pr.
N.I.	4533177	Pedal, R.H., solid rubber ...	1
N.I.	4533178	Pedal, L.H., solid rubber ...	1
11	4020111	Pedal crank, L.H. ...	1
12	6245018	Pedal crank and 32t chainwheel, R.H. ...	1
13	6200126	Cotter pin 'A', c/w nut and washer ...	2
or 13	6200127	Cotter pin 'B', c/w nut and washer ...	2
14	4020113	Axle, bottom bracket ...	1
15	4512194	Grease nipple ...	1
16	4020227	Bush, bottom bracket ...	2
16	6200367	Bush, bottom bracket (for repair use) ...	2
17	4533033	Outer circlip, B/B axle ...	2
18	4020136	Spacing washer, ø 16.5 x 27 x 2 mm., outer L.H. ...	1
19	4020115	Spacing washer, ø 16.5 x 27 x 1 mm., R.H. ...	1
20	4020117	Spacing washer, ø 16.5 x 33 x 0.8 mm. inner L.H. ...	1
21	4533032	Inner circlip, B/B axle ...	1
22	4020166	Sprocket, 12t. ...	1
23	6200447	Set of resilient rings, B/B sprocket ...	1
24	4533034	Needle roller bearing, B/B pulley ...	2
25	4020138	End cap, pulley hub ...	1
26	4020164	Spacer, L.H. pedal crank ...	1
27	6200527	B/B pulley, c/w sprocket, lock lever and bearing ...	1
28	4020172	Arm, lock lever ...	1
29	6200317	Fulcrum bolt, c/w nut, lock lever ...	1
30	4020134	Nut, lock lever fulcrum ...	1
31	4020129	Spring, lock lever ...	1
32	4020130	Guide plate, lock lever spring ...	1
33	4020132	Rivet pin, lock lever spring ...	1
S.A.	6245013	Lock lever and spring assembly ...	1
34	6245012	Turnbutton, lock lever ...	1
35	4020127	Spring disc, turnbutton ...	1
36	4020128	Fulcrum rivet, turnbutton ...	1
37	4533082	Drive belt ...	1
38	4533042	Drive chain, 1/2" x 3/8" x 0.305" roller x 103 pitches ...	1
39	4512274	Spring link, drive chain ...	1
40	6200596	Cranked link, drive chain ...	1
41	4512052	Pedal chain, 1/2" x 3/8" x 0.305" roller x 100 pitches ...	1
42	4518183	Spring link, pedal chain ...	1
43	6200159	Cranked link, pedal chain ...	1
44	6200448	Fixing screw, c/w nut, chain tensioner ...	2
45	4010737	Shakeproof washer, 5 mm. ...	2
46	4020161	Fixing plate, chain tensioner ...	1
47	4020162	Spring stop plate, tensioner arm ...	1
48	6200528	Pivot pin, c/w nut, tensioner arm ...	1
49	4020159	Spring, chain tensioner ...	1
50	4020154	Arm, chain tensioner ...	1
51	4020155	Chain guide ...	1
52	4020146	Wheel, chain tensioner ...	1
53	4020144	Bush, chain tensioner spindle ...	1
54	6200501	Spindle screw, c/w nut, chain tensioner ...	1
S.A.	6200449	Chain tensioner complete ...	1

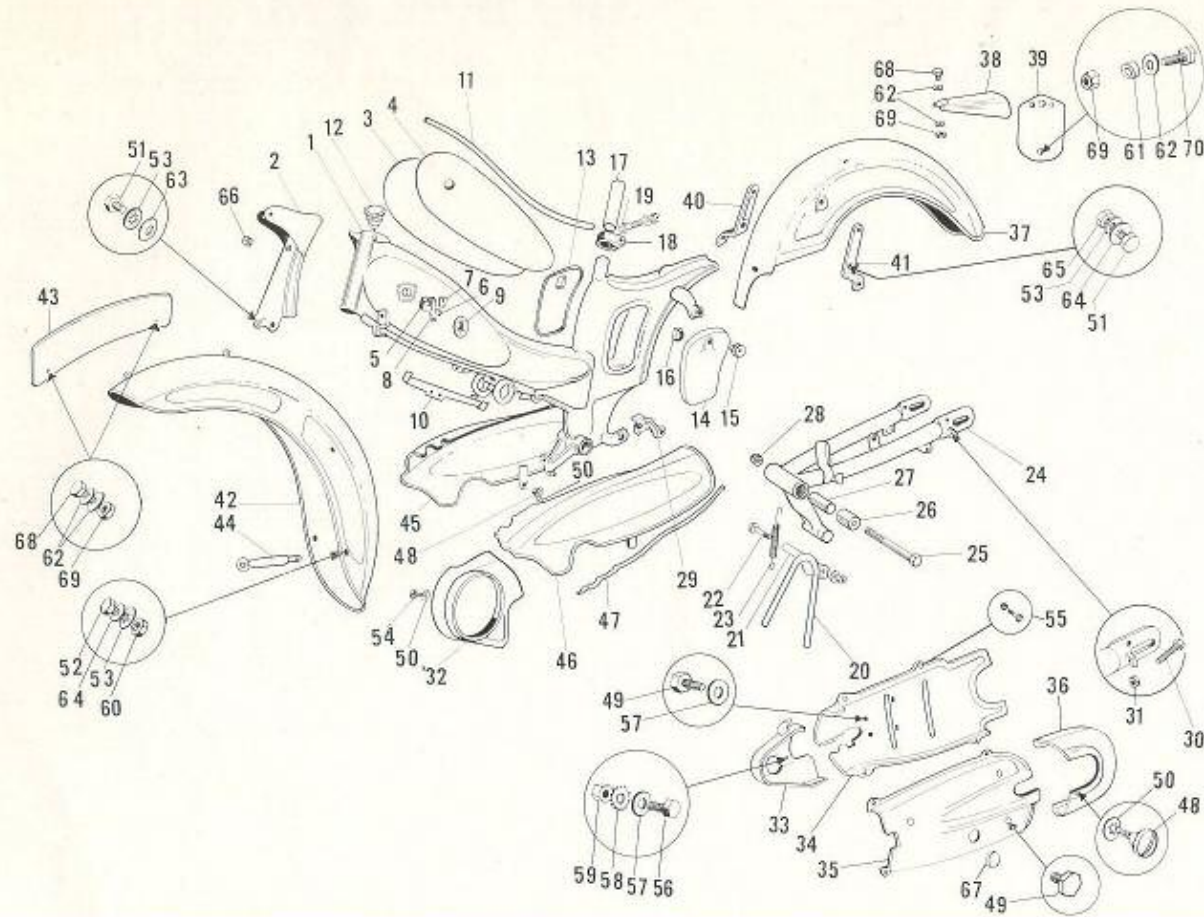
S.A.—Sub assembly (not illustrated) N.I.—Not illustrated ø=Diameter



ILLUST. No.	PART No.	DESCRIPTION	No. OFF
1	6235083	Front fork, bare	1
2	6235097	Swinging arm, front	1
3	6235095	Suspension plate, front R.H.	1
4	6235096	Suspension plate, front L.H.	1
5	4010766	Bolt, front suspension plate	4
6	4010386	Shakeproof washer, ø 7 mm., front suspension plate	4
7	4010967	Bolt, suspension plate to mudguard	2
8	4010767	Plain washer, ø 6 mm.	2
9	4000375	Nut, 6 mm.	2
10	4020141	Shakeproof washer, ø 6 mm., front suspension plate	2
11	4533079	Suspension rubber	6
12	4010765	Rubber sleeve, suspension bracket	4
13	4010774	Steel bush, lower suspension bracket	2
14	4010775	Rivet, lower suspension bracket	2
15	4533080	Rubber pivot bush, swinging arm	2
16	4010772	Pivot bolt, front swinging arm	2
17	4010771	Castle nut, pivot bolt	2
18	4010773	Split pin	2
N.I.	6200465	Front fork assembly, complete	1
19	4010968	Lower bearing cone, steering head	1
20	4510377	Ball bearing, 3/8"	50
21	4010368	Lower bearing cup, steering head	1
22	4010367	Upper bearing cup, steering head	1
23	4010784	Adjustable bearing cone, steering head	1
24	4010915	Locknut, steering head	1
N.I.	6200466	Steering head bearings, complete	1

N.I. – Not illustrated  
 ø = Diameter





ILLUST. No.	PART No.	DESCRIPTION	No. OFF
1	6235082	Frame ... ..	1
2	6235063	Fairing, steering head ... ..	1
3	4010786	Tank cover, R.H. ... ..	1
4	4010787	Tank cover, L.H. ... ..	1
5	4010788	Bracket, tank cover ... ..	2
6	4010789	Screw, tank cover bracket ... ..	4
7	4010790	Plate, tank cover ... ..	2
8	4010791	Screw, cover plate ... ..	2
9	4010449	'Raleigh' badge ... ..	2
10	4010800	Bracket, cable retaining ... ..	1
11	4010818	Metallic trim strip ... ..	1

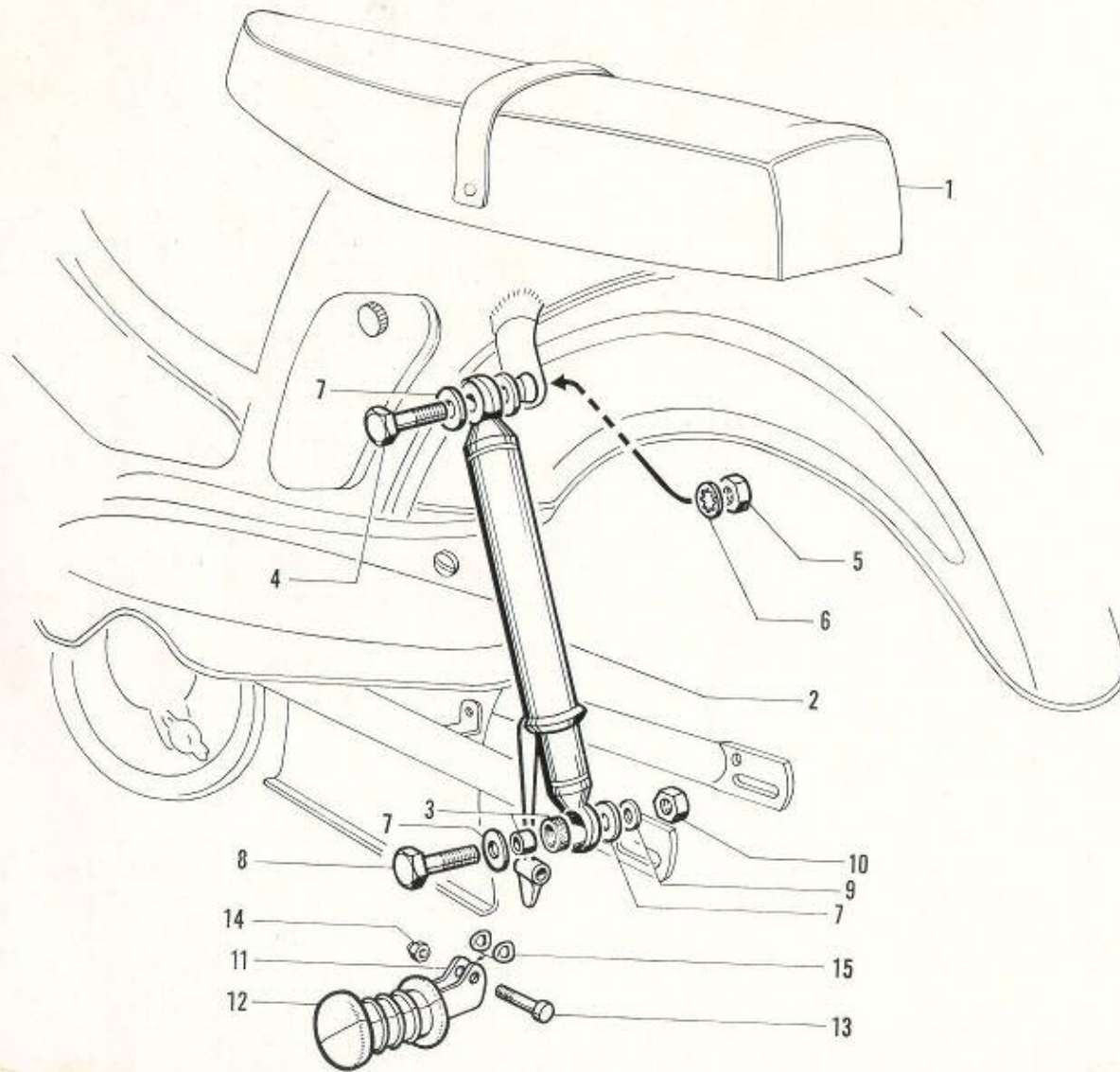
ILLUST. No.	PART No.	DESCRIPTION	No. OFF
12	6235168	Fuel filler cap ... ..	1
13	4010792	Toolbox lid, R.H. ... ..	1
14	4010793	Toolbox lid, L.H. ... ..	1
15	4010396	Screw, toolbox lid ... ..	2
16	4533029	Circlip, toolbox lid screw ... ..	2
17	4010754	Seat pillar ... ..	1
18	4010755	Clip, seat pillar ... ..	1
19	6200450	Bolt, seat pillar clip, c/w nut and washer ... ..	1
20	6235052	Centre stand ... ..	1
21	4010384	Distance piece, centre stand ... ..	1
22	6200354	Bolt, c/w nut and washer, centre stand ... ..	1

ILLUST. No.	PART No.	DESCRIPTION	No. OFF
23	4010383	Return spring, centre stand ... ..	1
24	6235141	Rear swinging fork ... ..	1
25	4010814	Pivot bolt, rear fork ... ..	1
26	4533091	Rubber bush, rear fork pivot ... ..	2
27	4010841	Distance piece, rear fork pivot ... ..	1
28	4533087	Self-locking nut, rear fork pivot ... ..	1
29	4010815	Bracket, fork to fairing ... ..	1
30	4020173	Bolt, drive chain tensioner ... ..	2
31	4020174	Nut, drive chain tensioner ... ..	2
32	4000112	Fairing, automatic clutch ... ..	1
33	6235099	Guard, B/B sprocket ... ..	1
34	4010759	Inner half, chaincase ... ..	1
35	4010756	Outer half, chaincase ... ..	1
36	6235092	Chain cover, rear ... ..	1
37	6235071	Rear mudguard ... ..	1
38	6235003	Tailpiece ... ..	1
39	6235053	Rear number plate ... ..	1
N.I.	6200536	Number plate for four figure registration ... ..	1
40	4010795	Fairing bracket, upper, R.H. ... ..	1
41	4010794	Fairing bracket, upper, L.H. ... ..	1
42	6235064	Front mudguard ... ..	1
43	4010284	Front number plate ... ..	1
44	4010770	Stay, front mudguard ... ..	2
45	6235091	Fairing, R.H. ... ..	1
46	6235090	Fairing, L.H. ... ..	1
47	4010330	Plastic edging strip ... ..	2
48	4010388	Fairing screw ... ..	8
49	4010760	Bolt, 5 mm. x 8 mm. ... ..	7
50	4010737	Shakeproof washer, 5 mm. ... ..	11
51	4010768	Bolt, 6 mm. x 12 mm. ... ..	6
52	4010769	Bolt, 6 mm. x 8 mm. ... ..	2
53	4010742	Shakeproof washer, 6 mm. ... ..	8
54	4010757	Screw, ø 5 mm. x 7 mm. ... ..	3
55	6200452	Screw, c/w nut, ø 4 mm. x 6 mm., chaincase flange ... ..	4
56	4010799	Bolt, ø 5 mm. x 11 mm., sprocket guard ... ..	2
57	4010761	Plain washer, ø 5 mm. ... ..	6
58	4010798	Shakeproof washer, 5 mm. ... ..	2
59	4020149	Nut, 5 mm. ... ..	2
60	4010966	Nut, 6 mm. x 9 mm., A/F. ... ..	2
61	4010394	Spacing washer, rear number plate ... ..	1
62	2661056	Plain washer, 3/8" ... ..	9
63	4010983	Plain washer ... ..	2
64	4010767	Plain washer, 6 mm. ... ..	6
65	4000375	Nut, 6 mm. x 10 mm., A/F. ... ..	4
66	4533090	Grommet, lighting harness ... ..	1
67	4533041	Plastic plug, chaincase ... ..	1
68	4010225	Bolt, 3/8" x 1/2" x 28 T.P.I. ... ..	4
69	4010241	Nut, self-locking, 3/8" x 28 T.P.I. ... ..	5
70	3490653	Bolt, 3/8" x 3/4" x 28 T.P.I. ... ..	1
N.I.	2380391	Transfer, 'Raleigh' trademark ... ..	2
N.I.	4010700	Transfer, fairing ... ..	2
N.I.	4010180	Transfer, fuel ratio ... ..	1

N.I. = Not illustrated ø = Diameter A/F = Across flats

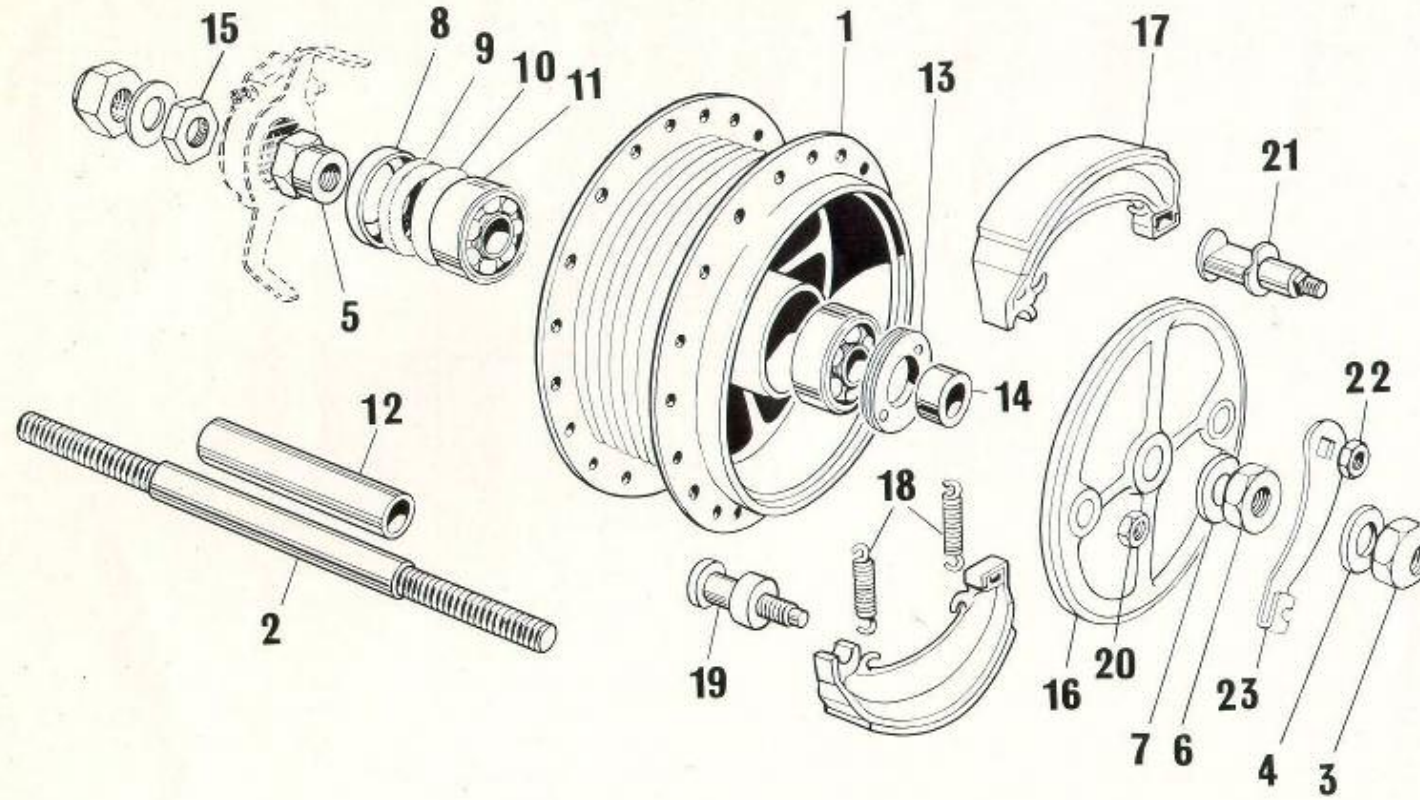
**REAR SUSPENSION  
AND DUAL SEAT**

**GROUP H**



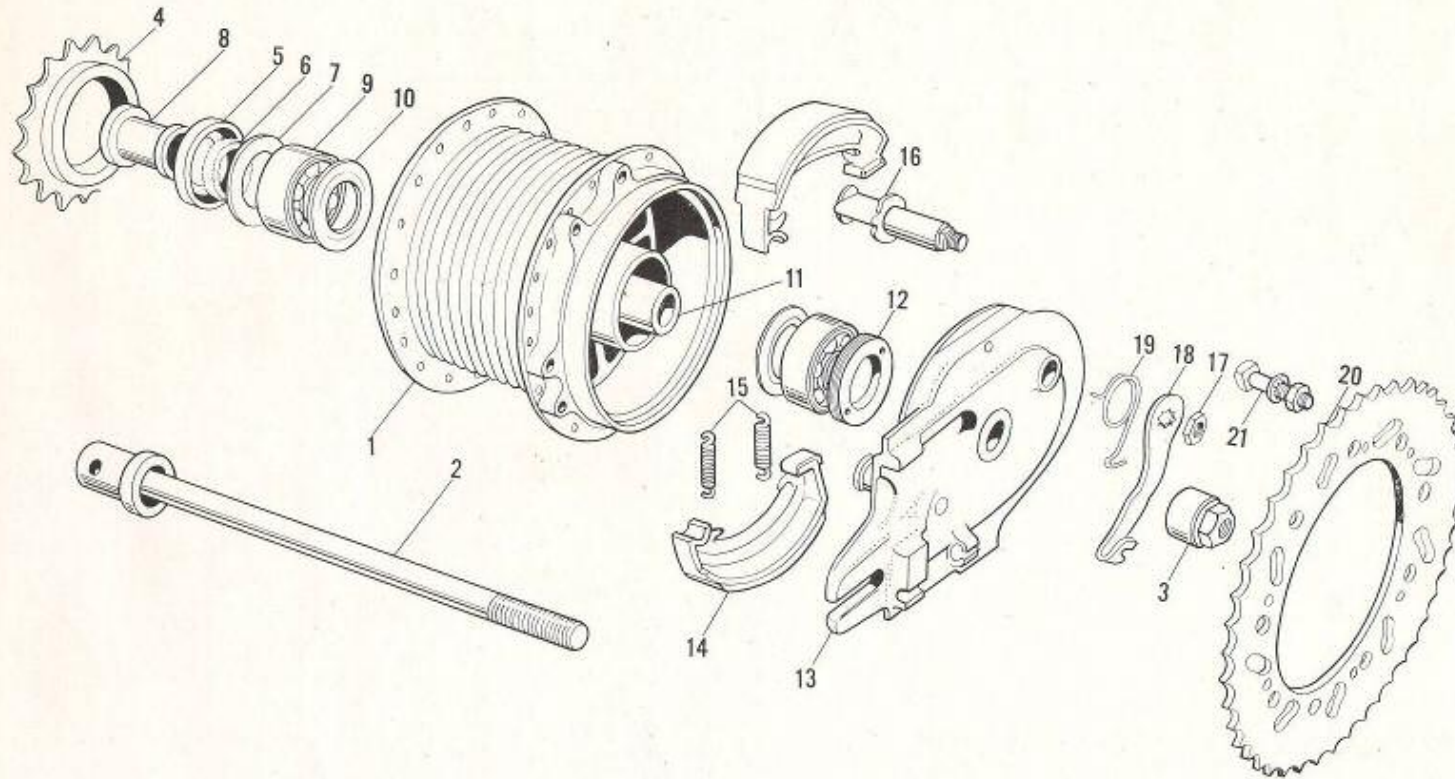
ILLUST. No.	PART No.	DESCRIPTION	No. OFF
1	4533076	Dual seat, complete ... ..	1
N.I.	6200461	Bolt, dual seat fixing, c/w nut and washer ...	2
N.I.	6200521	Cover, dual seat ... ..	1
2	6235145	Suspension unit, rear, complete ... ..	2
3	6200455	Rubber bush, c/w sleeve ... ..	2
4	6200454	Mounting bolt, upper, c/w nut ... ..	2
5	4010809	Nut, $\varnothing$ 8 mm. $\times$ 1 mm. $\times$ 8 mm. thick ...	2
6	4010808	Shakeproof washer, upper mounting bolt ...	2
7	4010803	Plain washer, suspension unit mounting ...	8
8	6200453	Mounting bolt, lower, c/w nut ... ..	2
9	4010805	Distance piece, 5 mm. thick ... ..	2
10	4010806	Nut, $\varnothing$ 8 mm. $\times$ 1 mm. $\times$ 6 mm. thick ...	2
11	6235140	Pillion footrest, bare ... ..	2
12	4533040	Footrest rubber, John Bull No. 5 ... ..	2
13	6200456	Pivot bolt, c/w nut and washers, footrest ...	2
14	4533086	Self-locking nut, pillion footrest ... ..	2
15	4010767	Thin washer, footrest bolt ... ..	4

N.I. = Not illustrated  
 $\varnothing$  = Diameter



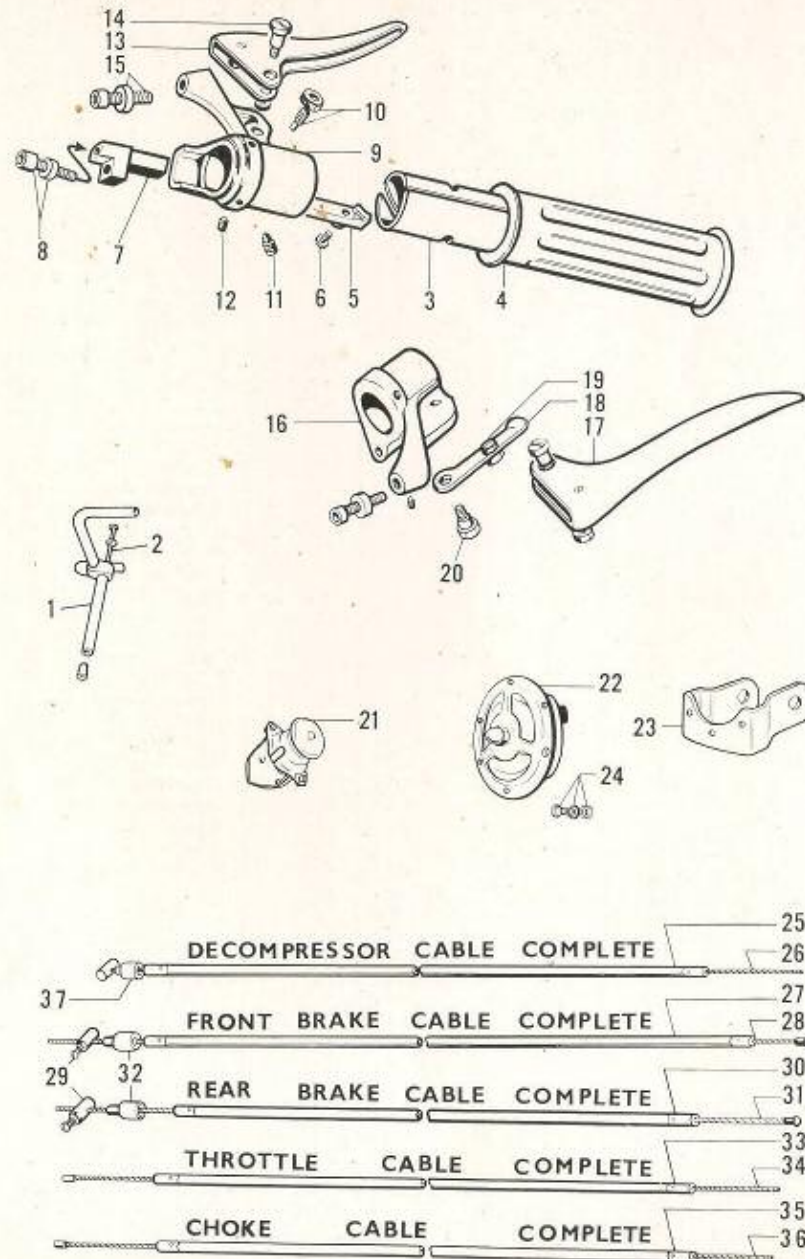
ILLUST. No.	PART No.	DESCRIPTION	No. OFF
N.I.	6235094	Front wheel, complete ... ..	1
N.I.	4010752	Rim, 22½" × 2¼" ... ..	1
N.I.	4010753	Spoke ... ..	36
N.I.	4533071	Nipple ... ..	36
N.I.	4533074	Tyre, 22½" × 2¼" ... ..	1
N.I.	4533061	Inner tube, 22½" × 2¼" ... ..	1
N.I.	4533075	Rim tape ... ..	1
S.A.	4533078	Front hub, complete ... ..	1
1	6200470	Hub shell, front ... ..	1
2	6200467	Wheel spindle, front ... ..	1
3	4010373	Nut, wheel spindle ... ..	2
4	4010372	Plain washer, wheel spindle ... ..	2
5	6200279	Shouldered nut, wheel spindle ... ..	1
6	6200148	Locknut, brake plate ... ..	1
7	6200476	Plain washer, brake plate ... ..	1
8	6200473	Cap, felt seal ... ..	1
9	6200474	Felt seal ... ..	1
10	6200475	Plain washer, felt seal ... ..	1
11	6200468	Ball journal bearing ... ..	2
12	6200469	Distance tube, 43 mm. long ... ..	1
13	6200477	Screwed bearing retainer, L.H. thread ... ..	1
14	6200471	Distance piece, brake plate, 6 mm. long ... ..	1
15	6200148	Nut, speedo drive unit securing ... ..	1
S.A.	6200479	Brake plate, c/w lined shoes ... ..	1
16	6200478	Brake plate, bare ... ..	1
17	6200174	Brake shoe, c/w lining ... ..	2
18	6200160	Return spring, brake shoe ... ..	2
19	6200480	Pivot pin, brake shoe ... ..	1
20	6200481	Nut, pivot pin ... ..	1
21	6200482	Brake cam ... ..	1
22	6200146	Nut, brake cam ... ..	1
23	6200483	Lever, brake cam ... ..	1

S.A. = Sub assembly (not illustrated)  
 N.I. = Not illustrated



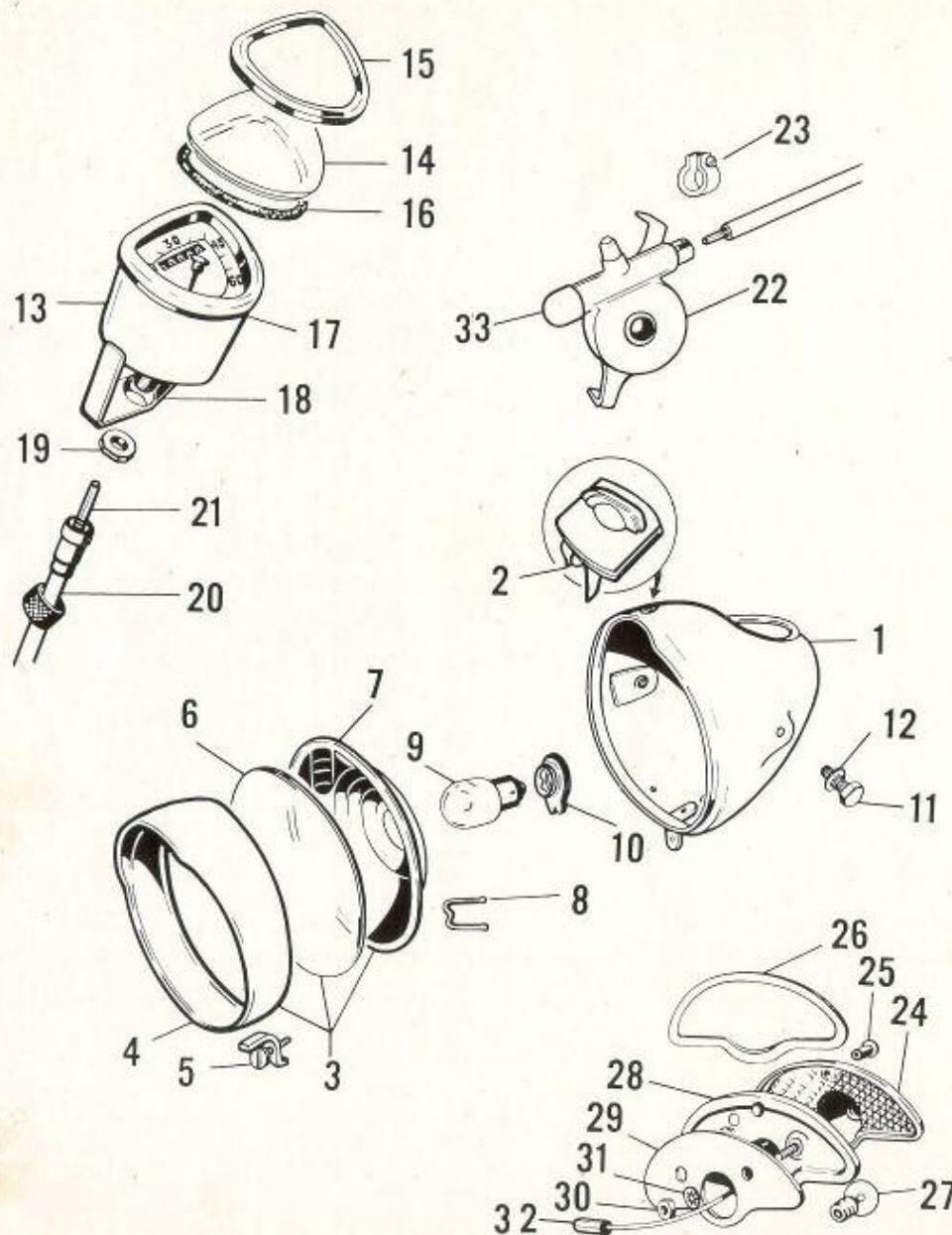
ILLUST. No.	PART No.	DESCRIPTION	No. OFF
N.I.	6200529	Rear wheel, c/w sprocket ... ..	1
N.I.	4010752	Rim, 22½" × 2¼" ... ..	1
N.I.	4010753	Spoke ... ..	36
N.I.	4533071	Nipple ... ..	36
N.I.	4533074	Tyre, 22½" × 2¼" ... ..	1
N.I.	4533061	Inner tube, 22½" × 2¼" ... ..	1
N.I.	4533075	Rim tape... ..	1
S.A.	6200524	Rear hub, c/w sprocket ... ..	1
S.A.	4533072	Rear hub, complete, less sprocket ... ..	1
1	6200484	Rear hub shell ... ..	1
2	6200485	Wheel spindle, rear ... ..	1
3	6200486	Nut, wheel spindle ... ..	1
4	4533073	Freewheel ... ..	1
5	6200489	Cap, felt seal ... ..	1
6	6200157	Felt seal ... ..	1
7	6200475	Shield washer, bearing... ..	1
8	6200490	Distance piece, freewheel side ... ..	1
9	6200468	Ball journal-bearing ... ..	2
10	6200488	Locating washer, distance tube ... ..	2
11	6200487	Distance tube, 67 mm. long ... ..	1
12	6200472	Screwed bearing retainer ... ..	1
S.A.	6200492	Brake plate, c/w lined shoes ... ..	1
13	6200491	Brake plate, bare ... ..	1
14	6200174	Brake shoe, c/w lining ... ..	2
15	6200160	Return spring, brake shoe ... ..	2
16	6200493	Brake cam, c/w nut ... ..	1
17	6200146	Nut, brake cam... ..	1
18	6200494	Lever, brake cam ... ..	1
19	6200495	Spring, cam lever ... ..	1
20	4020152	Sprocket, rear wheel ... ..	1
21	6200496	Bolt, rear sprocket, c/w nut and washer ... ..	6

S.A.—Sub assembly (not illustrated)  
N.I.—Not illustrated



ILLUST. No.	PART No.	DESCRIPTION	No. OFF
1	4010882	Handlebar, with stem and expander bolt ...	1
2	6200506	Expander bolt, c/w cone ...	1
S.A.	6200498	Handlebar, complete ...	1
3	4010885	Twistgrip sleeve ...	1
4	4010890	Handlebar grip ...	2
5	4010891	Throttle cursor ...	1
6	4010895	Clamp screw, throttle and decompressor cables ...	2
7	4010892	Decompressor cursor ...	1
8	4010894	Adjuster, c/w nut, decompressor cable ...	1
9	4010883	Twistgrip body ...	1
S.A.	6200376	Twistgrip, complete ...	1
10	6200375	Sleeve retaining screw, c/w locknut ...	1
11	4010896	Grubscrew, twistgrip body locating ...	1
12	4010897	Grubscrew, grip body securing ...	4
13	4010898	Handlebar lever, R.H. ...	1
14	6200370	Pivot screw, c/w nut, handlebar lever ...	2
15	4010905	Adjuster, c/w nut, brake cables ...	2
16	4010884	Grip body, L.H. ...	1
17	4010899	Handlebar lever, L.H. ...	1
S.A.	6200374	Grip body, complete, L.H. ...	1
18	4010886	Choke lever ...	1
19	6200497	Clamp, complete, choke cable ...	1
20	4010901	Pivot screw, choke lever ...	1
S.A.	6200373	Choke lever, complete ...	1
21	6200507	Horn button, complete ...	1
22	4533077	Electric horn, complete ...	1
23	4010715	Bracket, horn mounting ...	1
24	6200508	Screw, c/w nut and washer, horn to bracket ...	3
N.I.	6200593	Twin cable, horn ...	1
25	6235157	Decompressor cable, complete ...	1
26	6200380	Decompressor inner cable ...	1
27	6235154	Front brake cable, complete ...	1
28	6200509	Front brake inner cable ...	1
29	6200377	Solderless nipple, brake cable ...	2
30	6235156	Rear brake cable, complete ...	1
31	6200510	Rear brake inner cable ...	1
32	6200381	Ferrule, brake cable ...	2
33	6235159	Throttle cable, complete ...	1
34	6200378	Throttle inner cable ...	1
35	6235160	Choke cable, complete ...	1
36	6200577	Choke inner cable ...	1
N.I.	4010333	Sheath, control cables ...	2
37	6200576	Ferrule, decompressor cable ...	1

S.A.—Sub assembly (not illustrated)  
N.I.—Not illustrated



ILLUST. No.	PART No.	DESCRIPTION	No. OFF
1	6235074	Headlamp shell ... ..	1
2	6200386	Lighting switch, complete ... ..	1
3	6200385	Optical assembly ... ..	1
4	4010467	Headlamp rim ... ..	1
5	6200384	Clip, c/w screw, rim securing ... ..	1
6	4010469	Headlamp glass ... ..	1
7	4010468	Headlamp reflector ... ..	1
8	4010482	Spring clip, reflector securing ... ..	4
9	4533068	Headlamp bulb ... ..	1
10	6235075	Bulb holder ... ..	1
11	4010465	Bolt, headlamp securing ... ..	2
12	4010464	Shakeproof washer, headlamp bolt ... ..	2
S.A.	6235072	Headlamp, complete ... ..	1
13	6200395	Speedometer head ... ..	1
14	6200392	Speedometer lens ... ..	1
15	6200393	Speedometer bezel ... ..	1
16	6200387	Joint, speedometer lens ... ..	1
17	6200388	Joint, speedometer housing ... ..	1
18	6200389	Bracket, speedometer head ... ..	1
19	6200390	Nut, speedometer head securing ... ..	1
20	6200511	Speedometer cable, complete... ..	1
21	6200512	Speedometer inner cable ... ..	1
22	6200398	Speedometer drive unit ... ..	1
23	6200514	Clip, speedometer cable ... ..	1
S.A.	4533060	Speedometer kit, complete ... ..	1
24	4561166	Rearlamp lens ... ..	1
25	4561168	Securing screw, rearlamp lens ... ..	1
26	4561169	Joint, rear lamp lens ... ..	1
27	4561167	Rearlamp bulb ... ..	1
28	4561141	Baseplate, rearlamp ... ..	1
29	4010066	Mounting joint, rearlamp ... ..	1
30	4561142	Nut, rearlamp securing ... ..	2
31	4561143	Shakeproof washer, rearlamp securing ... ..	2
32	4533010	Snap connector, rearlamp ... ..	1
S.A.	4519423	Rearlamp, complete ... ..	1
N.I.	6235046	Wire, magneto to headlamp ... ..	1
N.I.	6235047	Wire, rearlamp ... ..	1
N.I.	4010703	Plastic sleeve, wiring, 12" ... ..	1
N.I.	4010704	Plastic sleeve, wiring, 16" ... ..	1
N.I.	4010458	Plastic sleeve, wiring, 6" ... ..	1
33	6200597	Plastic cap, speedo drive unit... ..	1
N.I.	6200592	Sponge seal ... ..	1

S.A. = Sub assembly (not illustrated)  
N.I. = Not illustrated

## TOOLS – GROUP M

ILLUST. No.	PART No.	DESCRIPTION	No. OFF
N.I.	4533030	Inflator ... ..	1
N.I.	4010428	Tool Wallet ... ..	1
or N.I.	4010979	Plastic Tool Wallet ... ..	1
N.I.	2661658	Spanner, $\frac{1}{8}'' \times \frac{3}{16}'' \times \frac{1}{4}''$ B.S.F. ... ..	1
N.I.	4010461	Spanner, cylinder head nuts ... ..	1
N.I.	4000074	Spanner, sparking plug ... ..	1
N.I.	4010462	Spanner, 8 mm. $\times$ 10 mm. ... ..	1
N.I.	4000076	Ring spanner, $\frac{5}{16}'' \times \frac{1}{2}''$ , B.S.F. ... ..	1
N.I.	4010463	Combination spanner, 12 mm. $\times$ 14 mm. ... ..	1
N.I.	2662048	Combination spanner ... ..	1
N.I.	4010724	Tommy bar, rear axle ... ..	1

N.I. = Not illustrated

## ACCESSORIES – GROUP N

ILLUST. No.	PART No.	DESCRIPTION	No. OFF
N.I.	4533192	Windscreen ... ..	1
N.I.	6235150	Legshield kit, complete ... ..	1
N.I.	6235151	Legshield, R.H. ... ..	1
N.I.	6235152	Legshield, L.H. ... ..	1
N.I.	6200355	Legshield fittings, complete ... ..	1
N.I.	6200363	Set of legshield flaps, c/w rivets ... ..	1
N.I.	4533183	Pannier sub frame ... ..	1
N.I.	4519456	Pannier ... ..	2

N.I. = Not illustrated

## SPECIAL WORKSHOP TOOLS GROUP O

(Note: These items are subject to a different rate of discount.)

ILLUST. No.	PART No.	DESCRIPTION	No. OFF
N.I.	6200557W	Magneto flywheel hub/cam extractor ... ..	1
N.I.	6200558W	Clutch drum extractor ... ..	1
N.I.	6200562W	Thread protector, 10 mm. $\times$ 1.0 mm., R.H. ... ..	1
N.I.	6200563W	Thread protector, 10 mm. $\times$ 1.0 mm., L.H. ... ..	1
N.I.	6200564W	Thread protector, 11 mm. $\times$ 1.0 mm., L.H. ... ..	1
N.I.	6200565W	Flywheel nut key, 10 mm. square ... ..	1
N.I.	6200569W	Flywheel holding tool (webbing strap wrench type) ... ..	1
N.I.	6200567W	Flywheel holding tool (screw operated steel band with friction pad type) ... ..	1
N.I.	6200548W	Clutch drum nut wrench, 14 mm. A/F ... ..	1
N.I.	6200550W	Clutch hub nut wrench, 35 mm., A/F (RM. 5) ... ..	1
N.I.	6200561W	Clutch key positioning tool (RM. 5) ... ..	1
N.I.	6200542W	Circlip pliers, internal type ... ..	1
N.I.	6200543W	Circlip pliers, external type ... ..	1
N.I.	6200556W	Ignition advance gauge ... ..	1
N.I.	6200549W	Cylinder head nut wrench ... ..	1
N.I.	6200571W	Piston stop ... ..	1
N.I.	6200560W	Piston ring clamp ... ..	1
N.I.	6200559W	Gudgeon pin extractor ... ..	1
N.I.	6200566W	Crankshaft bearing extractor ... ..	1
N.I.	6200553W	Jet socket spanner with wooden handle, 9 mm. A/F ... ..	1
N.I.	6200554W	Jet socket spanner with wooden handle, 8 mm. A/F ... ..	1
N.I.	6200555W	Grease nipple socket spanner with wooden handle ... ..	1
N.I.	6200552W	Steering head locknut wrench, 32 mm., A/F (RM. 4) ... ..	1
N.I.	6200551W	Steering head lower bolt wrench, 32 mm., A/F (RM. 4) ... ..	1
N.I.	6200547W	Steering head locknut spanner (RM. 5) ... ..	1
N.I.	6200570W	Engine mounting rubber bush fitting tool (RM. 5) ... ..	1
N.I.	6200544W	Cone spanner, 13 and 14 mm., A/F ... ..	1
N.I.	6200545W	Cone spanner, 15 and 16 mm., A/F ... ..	1
N.I.	6200546W	Cone spanner, 17 and 18 mm., A/F ... ..	1

N.I. = Not illustrated A/F = Across flats









PURCHASE TAX REVISION 25th JULY, 1961.

Price alterations to Lighting Bulbs for the R.M.4 Automatic and R.M.5 Supermatic Mopeds.

4533068	Headlamp bulb 6v 15w (3/- + 7d P.T.)	3	7d
4561167	Rearlamp bulb 6v 3w (1/1d + 3 $\frac{1}{2}$ d P.T.)	1	4 $\frac{1}{2}$ d

---

# IceniCAM Information Service

