

# MOPED SPARE PARTS LIST

***RALEIGH Automatic* MOPED MODEL RM 4**



ISSUED BY

RALEIGH INDUSTRIES LIMITED • PRICE 2/-

### INSTRUCTIONS FOR ORDERING

It is essential that the following information is provided with every order for spare parts:—

1. Type and Model of the machine
2. Frame and Engine numbers
3. Part number, description and quantity of each spare part required.

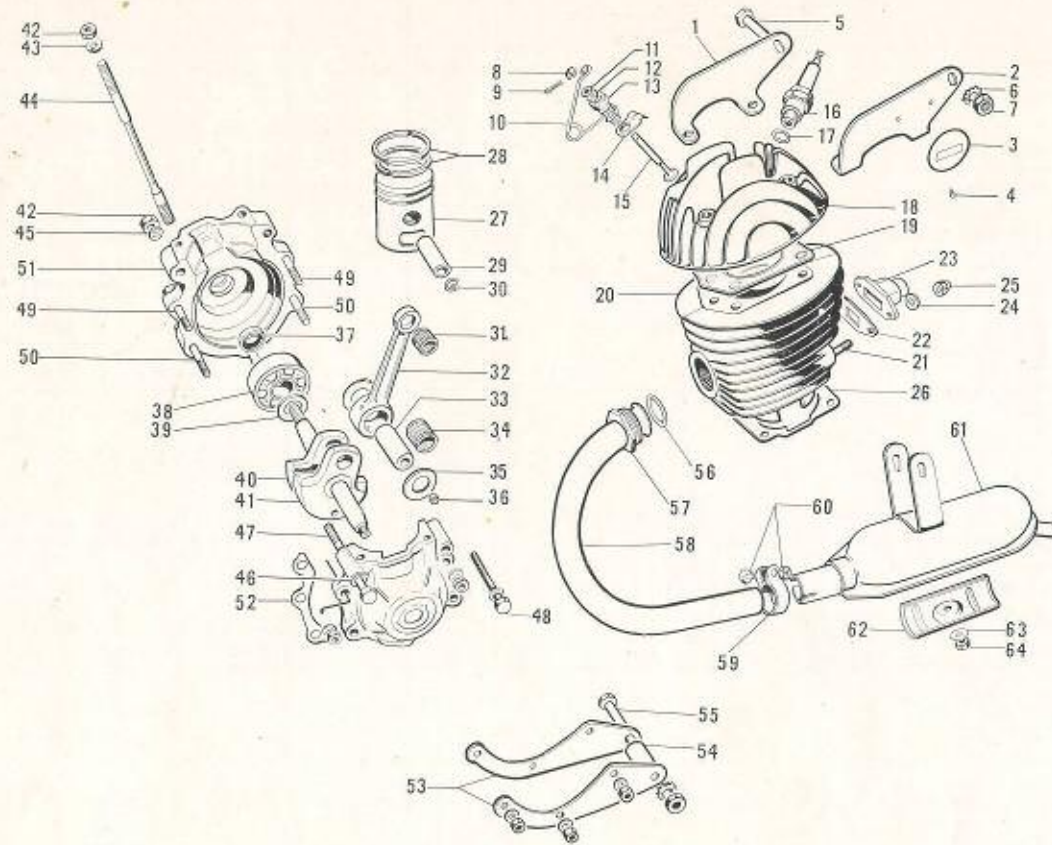
Failure to provide this necessary information will inevitably lead to delay in fulfilling the order.

NOTE.—We reserve the right to alter or vary the specifications of any parts herein listed without prior notice and the General Terms and Conditions of Sale and Guarantee of our Motorised Division apply.

### INDEX

	Group
Engine and exhaust ... ..	A
Clutch ... ..	B
Fuel system ... ..	C
Magneto ... ..	D
Transmission ... ..	E
Telescopic fork and steering head bearings ... ..	F
Frame ... ..	G
Front wheel ... ..	H
Rear wheel ... ..	I
Handlebars, control cables and electric horn ... ..	J
Headlamp, rearlamp and speedometer ... ..	K
Tools ... ..	L
Accessories ... ..	M





ILLUST. No.	PART No.	DESCRIPTION	No. OFF
23	4000274	Inlet adaptor ... ..	1
24	4000353	Plain washer, ø 6 mm. ... ..	2
25	4533086	Self-locking nut, ø 6×1.0 mm. ... ..	2
26	4000346	Joint, cylinder base ... ..	1
*27	6200591	Piston assembly, complete ... ..	1
28	4000308	Piston ring, ø 39.0 mm. ... ..	2
or 28	4000272	Piston ring, ø 39.1 mm. ... ..	2
29	4000310	Gudgeon pin ... ..	1
30	4533045	Circlip, gudgeon pin ... ..	2
31	4533049	Needle roller bearing, small end ... ..	1
32	6200333	Connecting rod assembly, complete ... ..	1
33	4000312	Crankpin ... ..	1
34	4533048	Needle roller bearing, big end ... ..	1
35	4000313	Washer, crankpin ... ..	2
36	6200326	Taper plug, crankpin ... ..	2
37	4533052	Oil seal, crankshaft ... ..	2
38	4533051	Ball journal bearing, crankshaft ... ..	2
39	4000314	Shim washer, crankshaft, 0.1 mm. ... ..	V
39	4000271	Shim washer, crankshaft, 0.2 mm. ... ..	V
39	4000315	Shim washer, crankshaft, 0.3 mm. ... ..	V
40	4000307	Crankshaft half, magneto side ... ..	1
41	4000306	Crankshaft half, clutch side ... ..	1
S.A.	6225008	Crankshaft assembly, complete ... ..	1
42	4010909	Nut, ø 7×1.0 mm. ... ..	10
43	4000322	Spring washer, ø 7 mm. ... ..	4
44	4000324	Cylinder stud ... ..	4
45	4010908	Shakeproof washer, ø 7 mm. ... ..	7
46	4000151	Plain washer, ø 7 mm. ... ..	1
47	4000318	Crankcase bolt, ø 7×1.0×70 mm. ... ..	1
48	4000317	Crankcase bolt, ø 7×1.25×45 mm. ... ..	1
49	4000319	Crankcase bolt, ø 7×1.0×30 mm. ... ..	2
50	4000320	Crankcase bolt, ø 7×1.0×47 mm. ... ..	3
51	6200330	Crankcase halves, c/w joint ... ..	1
52	4000345	Joint, crankcase ... ..	1
53	4000325	Engine mounting plate, lower ... ..	2
54	4000327	Spacer, mounting plate ... ..	1
55	6200328	Bolt, c/w nut, lower engine mounting ... ..	1
56	4000370	Gasket, exhaust pipe ... ..	1
57	4000372	Nut, exhaust pipe ... ..	1
58	4000371	Exhaust pipe ... ..	1
59	4000373	Clip, exhaust pipe ... ..	1
60	6200337	Bolt, c/w nut, exhaust pipe clip ... ..	1
61	6225021	Silencer assembly, complete ... ..	1
62	4000380	Access plate, silencer ... ..	1
63	4000382	Washer, access plate ... ..	1
64	4000381	Nut, ø 6×1.0 mm. ... ..	1
S.A.	6200336	Set of crankcase bolts ... ..	1
S.A.	6200177	Set of engine joints and gaskets ... ..	1
N.I.	6200334	Cylinder shim, 0.2 mm. ... ..	V
N.I.	6200335	Cylinder shim, 0.4 mm. ... ..	V

\*Note.—Pistons supplied to pattern only.

S.A. = Sub assembly (not illustrated)

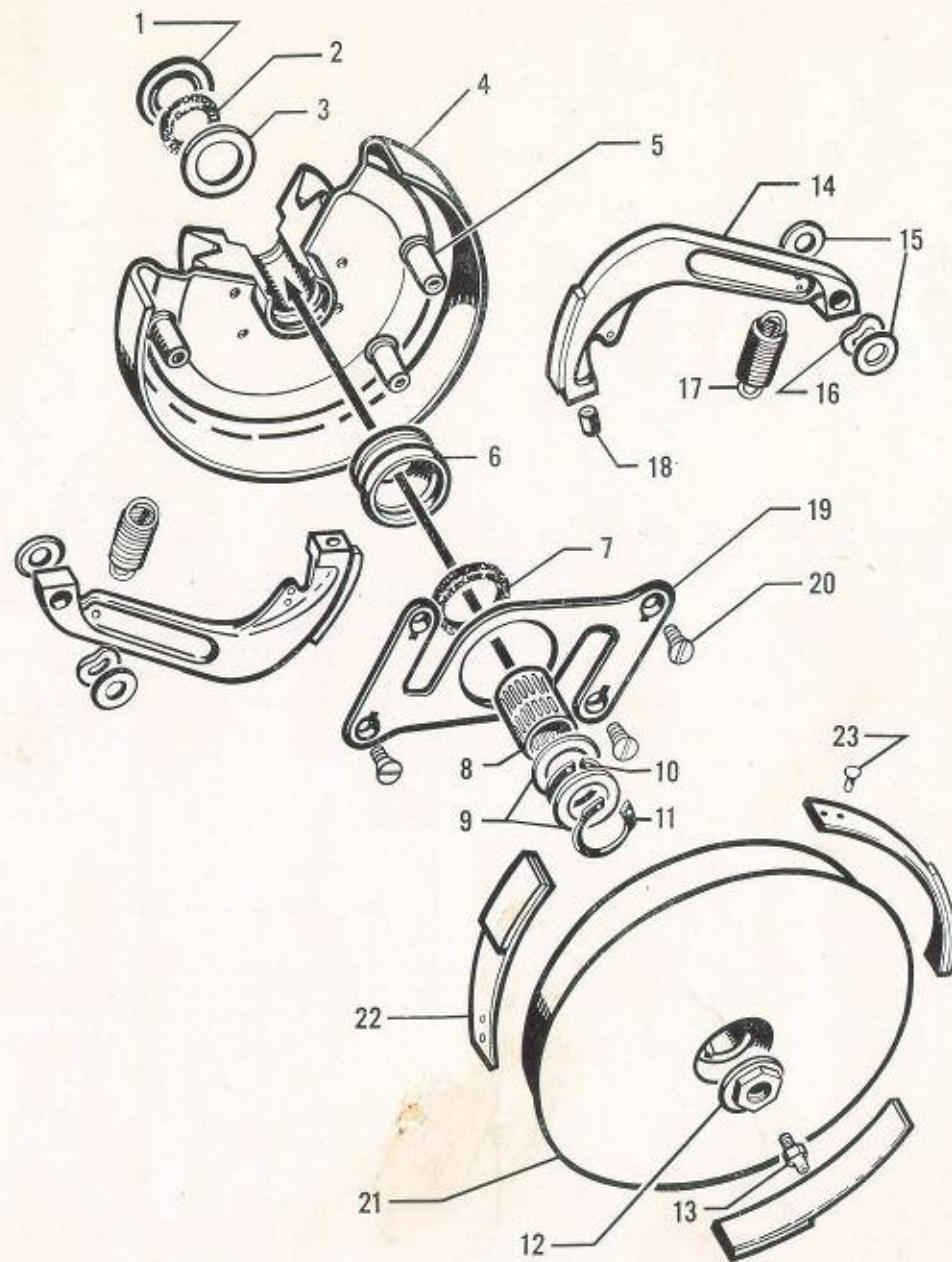
N.I. = Not illustrated

V = Varies

ø = Diameter

ILLUST. No.	PART No.	DESCRIPTION	No. OFF	ILLUST. No.	PART No.	DESCRIPTION	No. OFF
1	4000331	Engine mounting bracket, R.H. upper ... ..	1	13	4000339	Body, decompressor valve ... ..	1
2	4000330	Engine mounting bracket, L.H. upper ... ..	1	14	4000340	Anchor plate, decompressor cable ... ..	1
3	4010706	Plate, engine type ... ..	1	15	4000335	Decompressor valve ... ..	1
4	3620173	Rivet, type plate fixing ... ..	2	S.A.	6200329	Decompressor, complete ... ..	1
5	6200327	Bolt, c/w nut, upper engine mounting ... ..	1	16	6200541	Sparking plug, c/w washer ... ..	1
6	4000329	Shakeproof washer, mounting bolt ... ..	2	17	6200401	Washer, sparking plug ... ..	1
7	4000328	Nut, mounting bolt ... ..	2	18	4000301	Cylinder head, bare ... ..	1
8	4000341	Yoke, decompressor valve ... ..	1	S.A.	6200332	Cylinder head, c/w decompressor ... ..	1
9	4000337	Pin, decompressor valve ... ..	1	19	4000344	Gasket, cylinder head ... ..	1
10	4000336	Hairpin spring, decompressor valve ... ..	1	20	6200331	Cylinder, c/w matched piston ... ..	1
11	4000342	Retaining washer, valve seal ... ..	1	21	4000352	Stud, inlet flange ... ..	2
12	4000338	Seal, decompressor valve ... ..	1	22	4000343	Joint, inlet flange ... ..	1

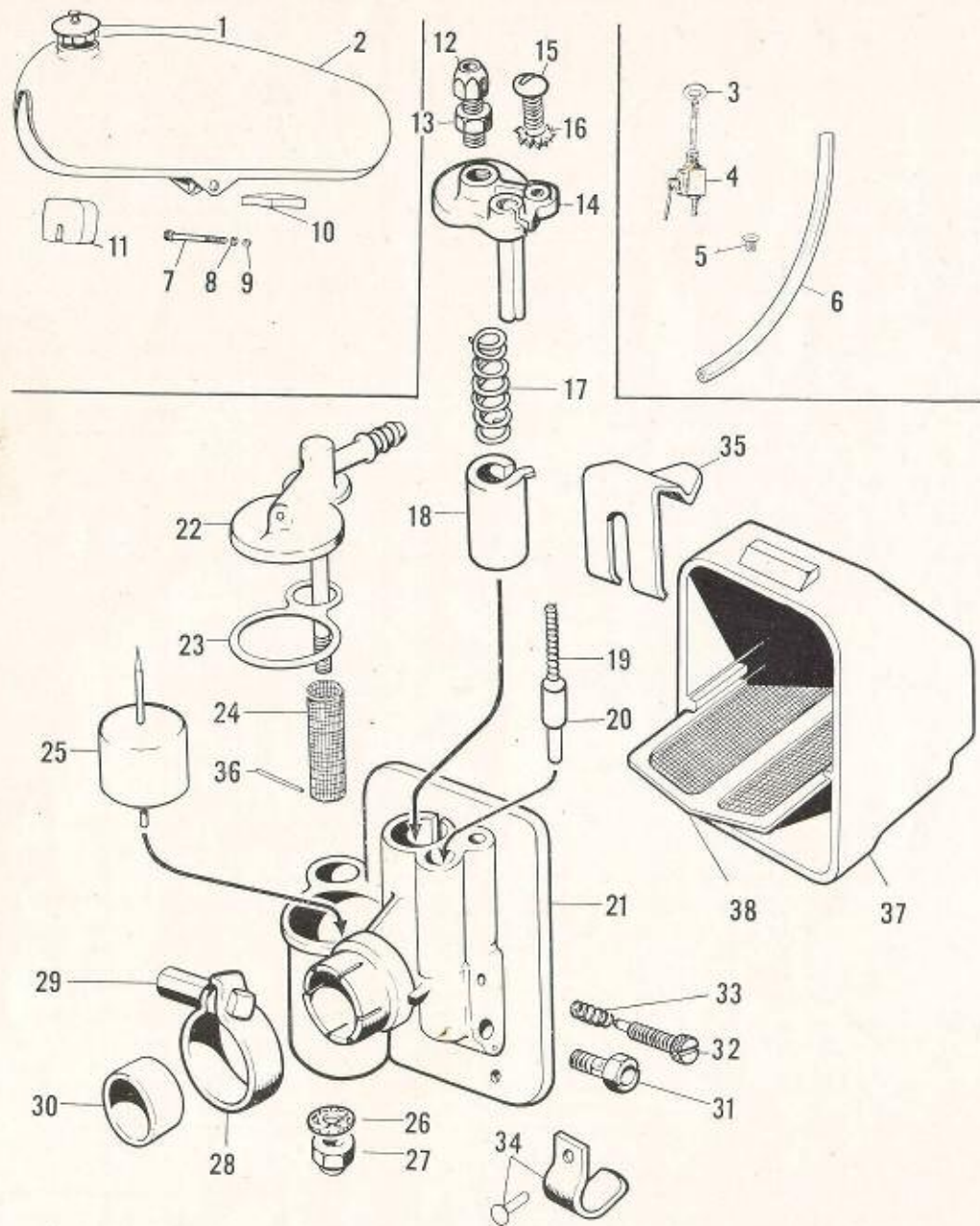




ILLUST. No.	PART No.	DESCRIPTION	No. OFF
1	4000400	Dished washer, inner felt ... ..	1
2	4533058	Felt seal, inner ... ..	1
3	4000399	Plain washer, inner felt ... ..	1
4	6225016	Clutch hub ... ..	1
5	4000404	Fulcrum pin, clutch shoe ... ..	4
6	4000395	Retaining sleeve, outer felt ... ..	1
7	4533057	Felt seal, outer ... ..	1
8	4533050	Needle roller bearing, clutch hub ... ..	1
9	4000393	Locating washer, clutch hub ... ..	2
N.I.	4000401	Shim washer, clutch hub, 0.1 mm. ... ..	V
N.I.	4000402	Shim washer, clutch hub, 0.25 mm. ... ..	V
N.I.	4000403	Shim washer, clutch hub, 0.4 mm. ... ..	V
10	4533047	Circlip, external, ø 15 mm. ... ..	1
11	4533046	Circlip, internal, ø 22 mm. ... ..	1
12	4000392	Nut, clutch drum ... ..	1
13	4000398	Grease nipple, clutch ... ..	1
14	6225015	Clutch shoe, c/w lining ... ..	2
15	4000405	Plain washer, ø 8 mm. ... ..	4
16	4000409	Spring washer, curved ... ..	2
17	4533067	Return spring, clutch shoe ... ..	2
18	4533059	Rubber stop, clutch shoe ... ..	2
19	4000397	Retaining plate, clutch shoe ... ..	1
20	4000396	Countersunk screw, ø 4 x 0.75 x 10 mm. ... ..	4
S.A.	6200338	Mechanism, complete ... ..	1
S.A.	6225018	Clutch, complete ... ..	1
21	6225014	Clutch drum, c/w lined springs ... ..	1
22	6200141	Leaf spring, c/w lining and rivets ... ..	3
23	4000407	Rivet, leaf spring ... ..	6

S.A. = Sub assembly (not illustrated)  
 N.I. = Not illustrated  
 V = Varies  
 ø = Diameter

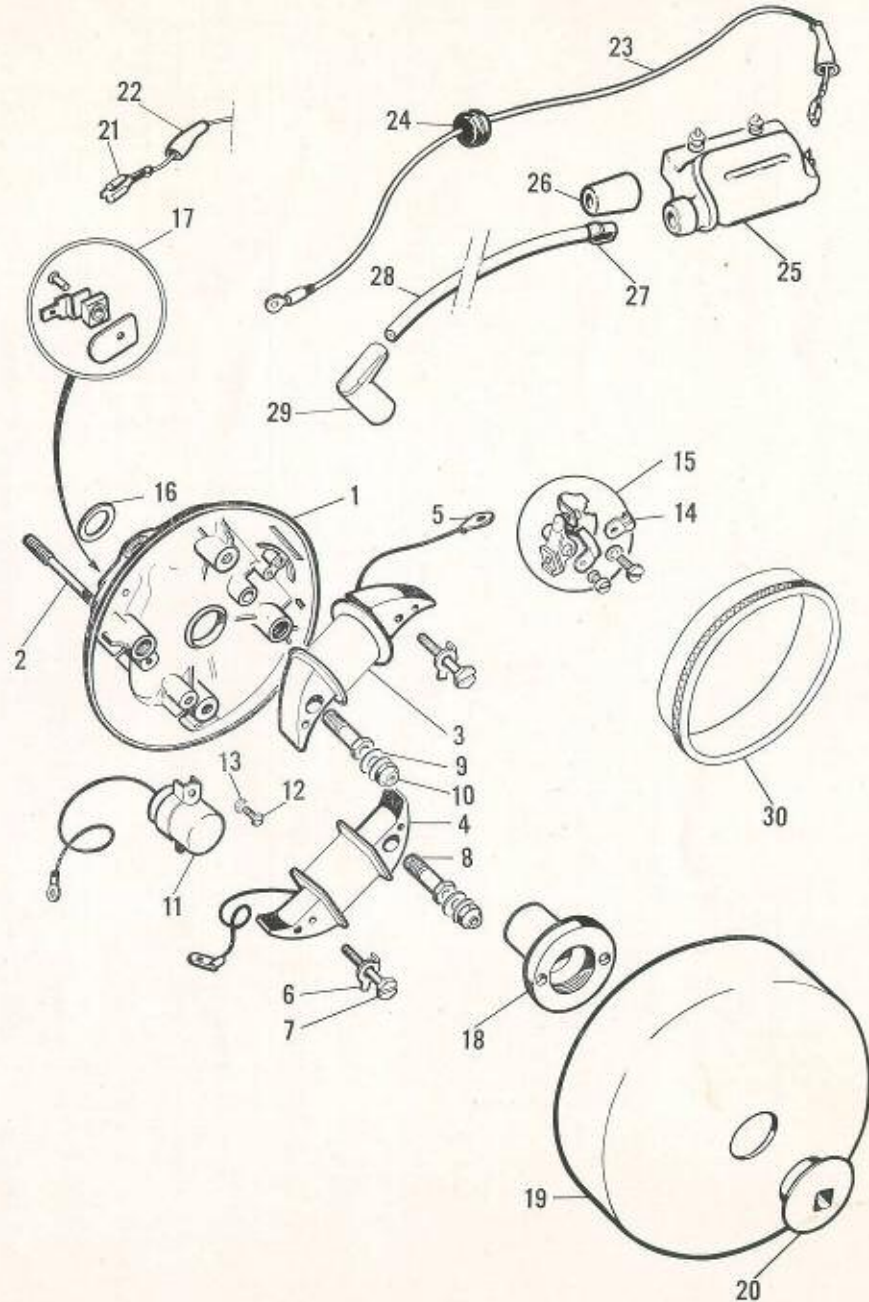




ILLUST. No.	PART No.	DESCRIPTION	No. OFF
1	4519408	Fuel filler cap ... ..	1
2	6235077	Fuel tank ... ..	1
3	4010157	Fibre washer, fuel tap, $\frac{1}{8}$ " ... ..	V
3	4010192	Fibre washer, fuel tap, $\frac{3}{32}$ " ... ..	V
4	4519505	Fuel tap ... ..	1
5	4010155	Filter, fuel pipe ... ..	1
6	4010331	Fuel pipe ... ..	1
N.I.	4533185	Clip, fuel pipe ... ..	2
7	4010327	Bolt, tank mounting ... ..	1
8	4010983	Plain washer, mounting bolt ... ..	2
9	4533008	Self-locking nut, mounting bolt ... ..	1
10	4010393	Rubber strip, tank mounting ... ..	V
11	4010460	Rubber block, tank mounting ... ..	1
12	6200226	Adjuster, throttle cable ... ..	1
13	6200227	Locknut, cable adjuster ... ..	1
14	6200223	Mixing chamber cover ... ..	1
15	6200224	Screw, cover securing ... ..	1
16	6200225	Shakeproof washer, cover screw ... ..	1
17	6200219	Return spring, throttle slide ... ..	1
18	6200220	Throttle slide ... ..	1
19	6200222	Return spring, enrichment plunger ... ..	1
20	6200221	Enrichment plunger ... ..	1
21	6200207	Carburettor body ... ..	1
22	6200213	Float chamber cover ... ..	1
23	6200214	Joint, float chamber ... ..	1
24	6200216	Fuel filter gauze ... ..	1
25	6200215	Float ... ..	1
26	6200217	Fibre washer ... ..	1
27	6200218	Cap nut ... ..	1
28	6200341	Clip, carburettor stub ... ..	1
29	6200339	Clip bolt, c/w nut ... ..	1
30	6200340	Insulating sleeve ... ..	1
31	6200230	Main jet, No. 18 ... ..	1
31	6200231	Main jet, No. 19 ... ..	1
31	6200232	Main jet, No. 20 ... ..	1
31	6200233	Main jet, No. 21 ... ..	1
32	6200228	Adjusting screw, slow running ... ..	1
33	6200229	Spring, adjusting screw ... ..	1
34	6200211	Lower clip, c/w rivet, air cleaner ... ..	1
35	6200210	Upper clip, air cleaner ... ..	1
36	6200178	Pin, upper clip ... ..	1
37	6200208	Air cleaner body ... ..	1
38	6200209	Air cleaner gauze ... ..	1
S.A.	6200206	Carburettor, complete (less control cables)	1

S.A. = Sub assembly (not illustrated)  
 N.I. = Not illustrated  
 V = Varies





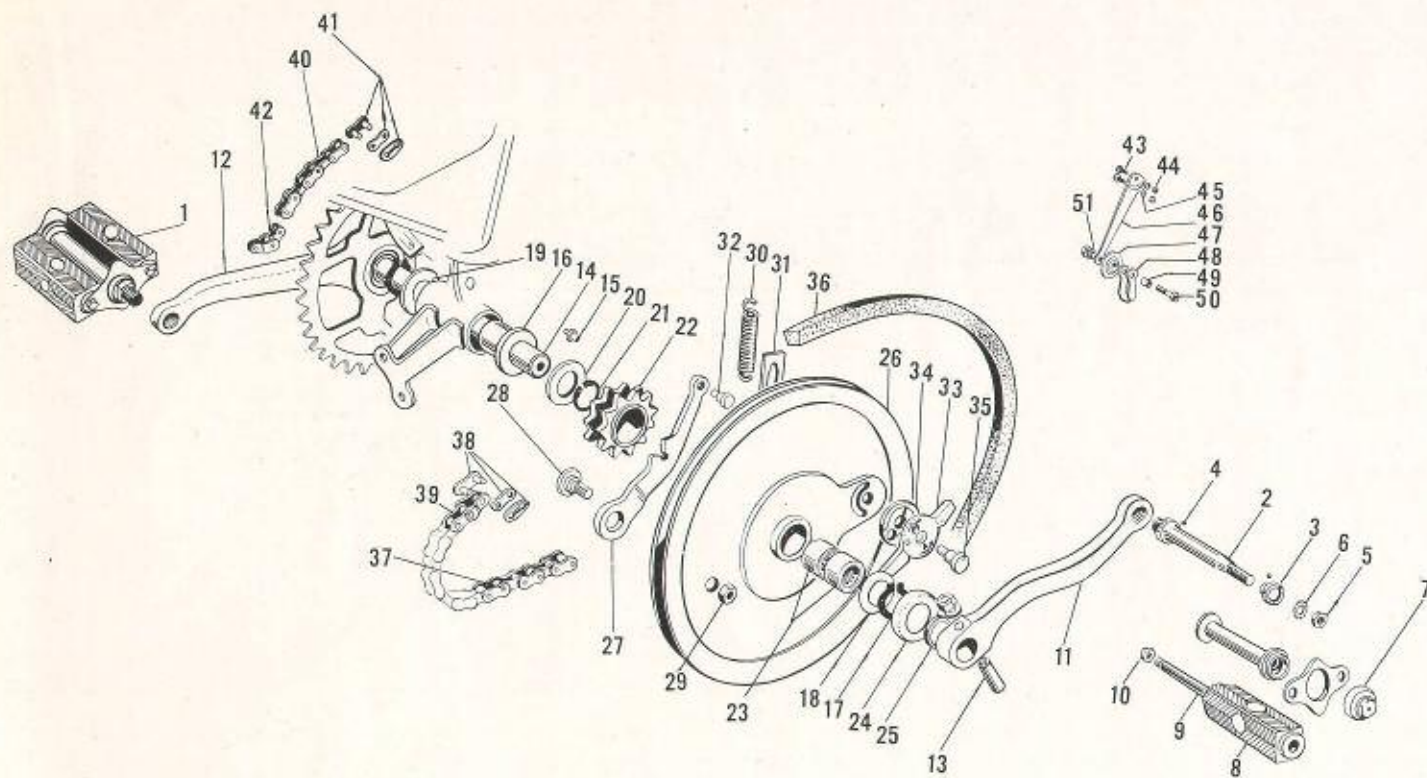
ILLUST. No.	PART No.	DESCRIPTION	No. OFF
1	6200200	Stator plate, bare ... ..	1
S.A.	6200199	Stator plate, complete ... ..	1
2	4000348	Stud, stator plate securing ... ..	2
3	6200197	Lighting coil ... ..	1
4	6200347	Ignition coil (L.T.) ... ..	1
5	6200343	Terminal tag, internal coils ... ..	2
6	6200191	Locking tab, coil securing screw ... ..	2
7	6200190	Screw, coil securing ... ..	2
8	6200195	Hollow screw, coil securing ... ..	2
9	6200194	Belleville washer, ø 5 mm. ... ..	4
10	6200193	Self locking nut, ø 5 x 75 mm. ... ..	2
11	6200187	Condenser ... ..	1
12	6200188	Screw, ø 4 x 75 x 10 mm. ... ..	4
13	6200189	Spring washer, ø 4 mm. ... ..	4
14	6200348	Adjusting clip, contact breaker ... ..	1
15	6200186	Contact breaker, complete ... ..	1
16	4533157	Sealing ring, stator plate ... ..	1
17	6200196	Lighting terminal, complete ... ..	1
18	6200185	Cam ... ..	1
19	6200183	Magneto flywheel ... ..	1
20	6200184	Nut, flywheel retaining ... ..	1
21	4533011	Terminal tag ... ..	2
22	4533012	Plastic cover, terminal tag ... ..	2
23	6200351	Ignition L.T. lead, complete ... ..	1
24	6200344	Grommet ... ..	1
25	6200350	H.T. ignition coil, external ... ..	1
26	6200342	Cap, H.T. lead to coil ... ..	1
27	6200345	Terminal, H.T. lead ... ..	1
28	6200349	H.T. lead, c/w terminal ... ..	1
29	4533179	Waterproof cover, sparking plug ... ..	1
30	6200346	Coil centralising ring ... ..	1
S.A.	6200533	Flywheel magneto, c/w external coil ... ..	1
S.A.	4533156	Flywheel magneto, complete, less external H.T. coil ... ..	1
N.I.	4533180	Suppressor, H.T. lead ... ..	1

S.A. = Sub assembly (not illustrated)

N.I. = Not illustrated

ø = Diameter





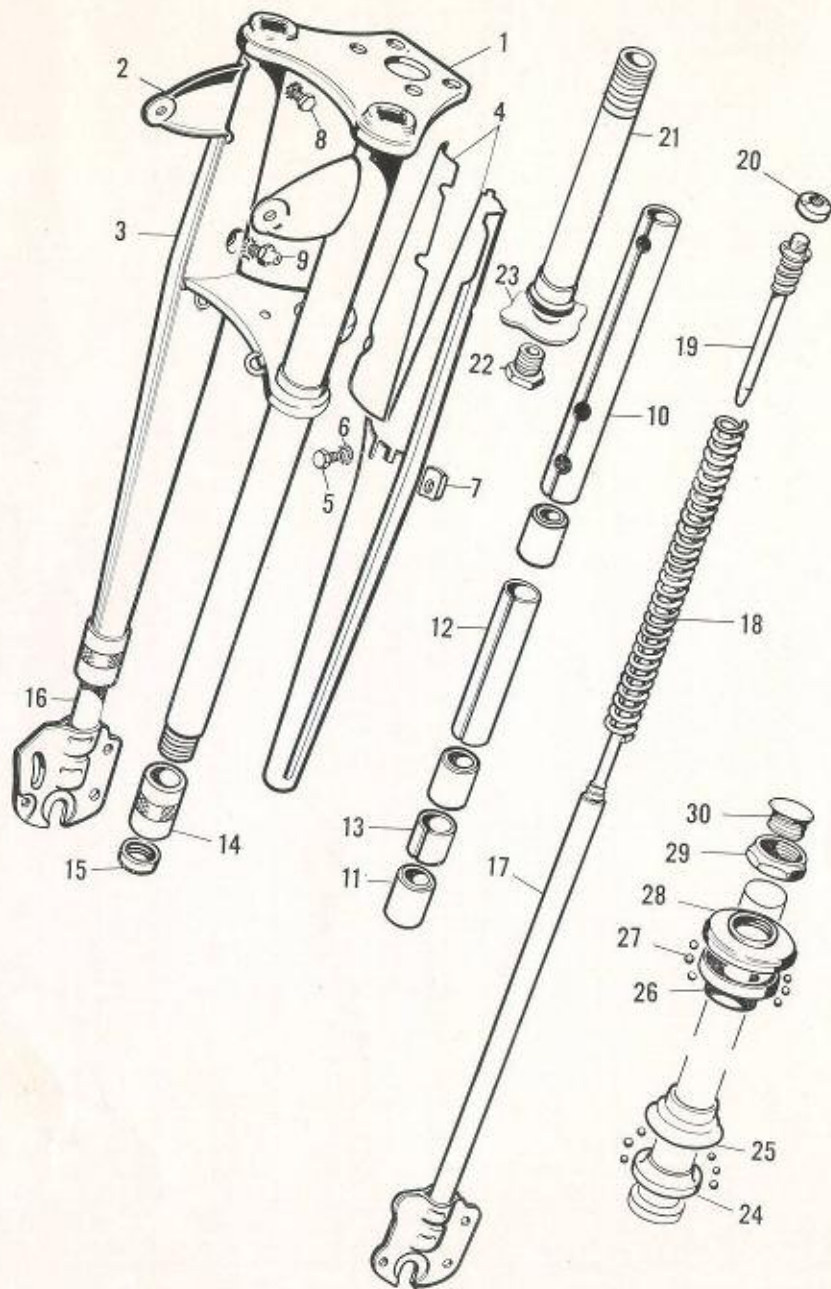
ILLUST. No.	PART No.	DESCRIPTION	No. OFF
N.I.	6200522	Pedals, R.I. 4 1/4" ... ..	1 pr.
1	6245014	Pedal, R.H., R.I. 4 1/4" ... ..	1
N.I.	6245015	Pedal, L.H., R.I. 4 1/4" ... ..	1
N.I.	2930677	Pedal spindle, R.H. ... ..	1
2	2920677	Pedal spindle, L.H. ... ..	1
3	2920380	Bearing cone, pedal ... .. per pedal	1
4	4510377	Ball bearing, 5/8" ... .. per pedal	22
5	2920381	Locknut, pedal cone ... .. per pedal	1
6	2661092	Keyed washer, pedal cone ... .. per pedal	1
7	2660707	Dust cap, pedal ... .. per pedal	1

ILLUST. No.	PART No.	DESCRIPTION	No. OFF
8	4010051	Pedal rubber ... .. per pedal	2
9	2930052	Stretcher bar, pedal ... .. per pedal	2
10	2920443	Nut, stretcher bar ... .. per pedal	4
N.I.	6200583	Pedals, 4" solid rubber ... ..	1 pr.
N.I.	4533177	Pedal, R.H., solid rubber ... ..	1
N.I.	4533178	Pedal, L.H., solid rubber ... ..	1
11	4020111	Pedal crank, L.H. ... ..	1
12	6245018	Pedal crank and 32 t. chainwheel, R.H. ... ..	1
13	6200126	Cotter pin 'A', c/w nut and washer ... ..	2
or 13	6200127	Cotter pin 'B', c/w nut and washer ... ..	2
14	4020112	Axle, bottom bracket ... ..	1
15	4512194	Grease nipple ... ..	1
16	4020116	Bush, bottom bracket ... ..	2
16	6200367	Bush, bottom bracket (for repair use) ... ..	2
17	4533033	Outer circlip, B/B axle ... ..	2
18	4020136	Spacing washer, ø 16.5 x 27 x 2.0 mm. ... ..	1
19	4020115	Spacing washer, ø 16.5 x 27 x 1.0 mm. ... ..	1
20	4020117	Spacing washer, ø 16.5 x 33 x 0.8 mm. ... ..	1
21	4533032	Inner circlip, B/B axle ... ..	1
22	4020166	Sprocket, 12 t. ... ..	1
23	4533034	Needle roller bearing, B/B pulley ... ..	2
24	4020138	End cap, pulley hub ... ..	1
25	4020137	Spacer, L.H. crank ... ..	1
26	6200534	B/B pulley, c/w sprocket, lock lever and bearing ... ..	1
27	4020172	Arm, lock lever ... ..	1
28	6200317	Fulcrum bolt, c/w nut, lock lever ... ..	1
29	4020134	Nut, fulcrum bolt ... ..	1
30	4020129	Spring, lock lever ... ..	1
31	4020130	Guide plate, lock lever spring ... ..	1
32	4020132	Rivet pin, lock lever spring ... ..	1
S.A.	6245013	Lock lever and spring assembly ... ..	1
33	6245005	Turn button, lock lever ... ..	1
34	4020127	Spring disc, turn button ... ..	1
35	4020128	Fulcrum rivet, turn button ... ..	1
36	4533037	Drive belt ... ..	1
37	4533035	Drive chain, 1/2" x 3/8" x .305" roller x 96 pitches ... ..	1
38	4512274	Spring link, drive chain ... ..	1
39	6200596	Cranked link, drive chain ... ..	1
40	4533036	Pedal chain, 1/2" x 3/8" x .305" roller x 93 pitches ... ..	1
41	4518183	Spring link, pedal chain ... ..	1
42	6200159	Cranked link, pedal chain ... ..	1
43	4020148	Locking screw, chain tensioner ... ..	2
44	4020149	Nut, locking screw ... ..	2
45	4010159	Spring washer, locking screw ... ..	2
46	4020142	Arm, chain tensioner ... ..	1
47	4020146	Wheel, chain tensioner ... ..	1
48	4020143	Chain guide ... ..	1
49	4020144	Bush, tensioner wheel ... ..	1
50	6200368	Securing screw, c/w nut, tensioner wheel ... ..	1
51	4020150	Shakeproof washer, securing screw ... ..	1
N.I.	6200369	Chain tensioner, complete ... ..	1

S.A. = Sub assembly (not illustrated)  
 N.I. = Not illustrated  
 ø = Diameter



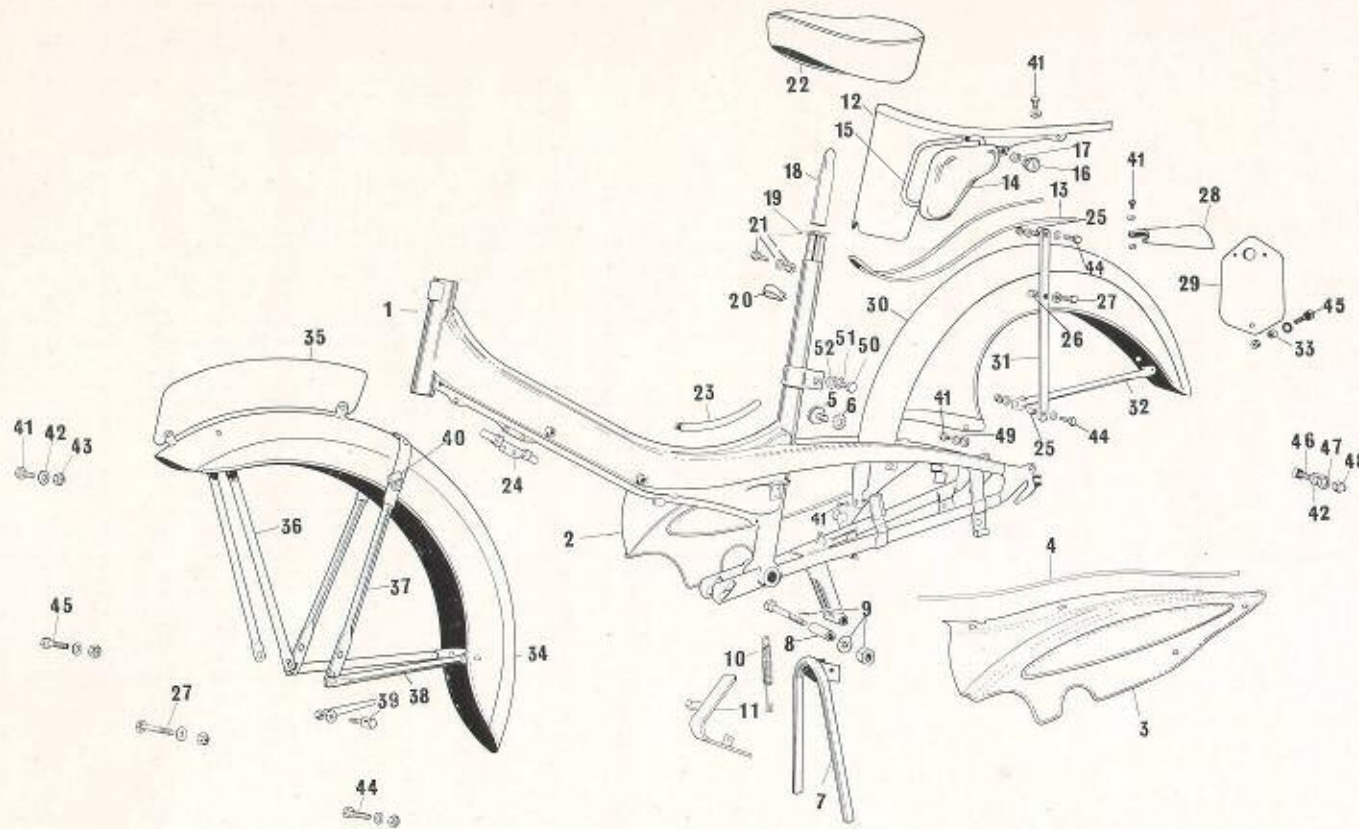
**TELESCOPIC FORK AND STEERING HEAD BEARINGS } GROUP F**



ILLUST. No.	PART No.	DESCRIPTION	No. OFF
1	6200535	Fork tube assembly, c/w covers	1
2	4010448	Bracket, headlamp mounting	2
3	6200399	Fork tube cover, R.H.	1
4	6200400	Fork tube cover, L.H.	1
5	4010735	Bolt, lower cover, $\varnothing 6 \times 1.0 \times 9$ mm.	2
6	4020150	Shakeproof washer, $\varnothing 6$ mm.	6
7	4010731	Spacer, lower fork cover	2
8	4010736	Bolt, upper cover, $\varnothing 6 \times 1.0 \times 5.5$ mm.	2
9	4010732	Grease nipple, $\varnothing 6 \times 1.0$ mm.	2
10	4010447	Upper spacing sleeve, fork tube	2
11	4010431	Bush, fork tube	6
12	4010445	Centre spacing sleeve, fork tube	2
13	4010446	Lower spacing sleeve, fork tube	2
14	4010437	Screwed end cap, fork tube	2
15	4010436	Oil seal, fork tube	2
16	6200581	Telescopic leg, R.H.	1
17	6200580	Telescopic leg, L.H.	1
N.I.	4010982	Stop ring	2
18	4010432	Fork spring	2
19	4010444	Spring retaining rod	2
20	4010429	Slotted nut, retaining rod	2
N.I.	6200175	Front fork assembly, complete	1
21	6235158	Steering stem	1
22	4010911	Bolt, steering stem	1
23	4010912	Lockwasher, stem bolt	1
24	4010369	Lower bearing cone, steering head	1
25	4010368	Lower bearing cup, steering head	1
26	4010367	Upper bearing cup, steering head	1
27	4510377	Ball bearing, $\varnothing \frac{3}{8}$ "	50
28	4010366	Adjustable bearing cone, steering head	1
29	4010914	Locknut, steering head	1
30	4010910	End plug, steering head	1
N.I.	6200352	Steering bearings, complete	1

N.I. = Not illustrated  
 $\varnothing$  = Diameter





ILLUST. No.	PART No.	DESCRIPTION	No. OFF
1	6235048	Frame ... ..	1
2	4010322	Fairing, R.H. ... ..	1
3	4010323	Fairing, L.H. ... ..	1
4	4010330	Plastic edging strip, fairing ... ..	2
5	4010388	Fairing screw ... ..	8
6	4010737	Shakeproof washer, fairing screw ... ..	8
7	6235052	Centre stand ... ..	1
8	4010384	Distance piece, centre stand ... ..	1
9	6200354	Bolt, c/w nut and washer, centre stand ... ..	1

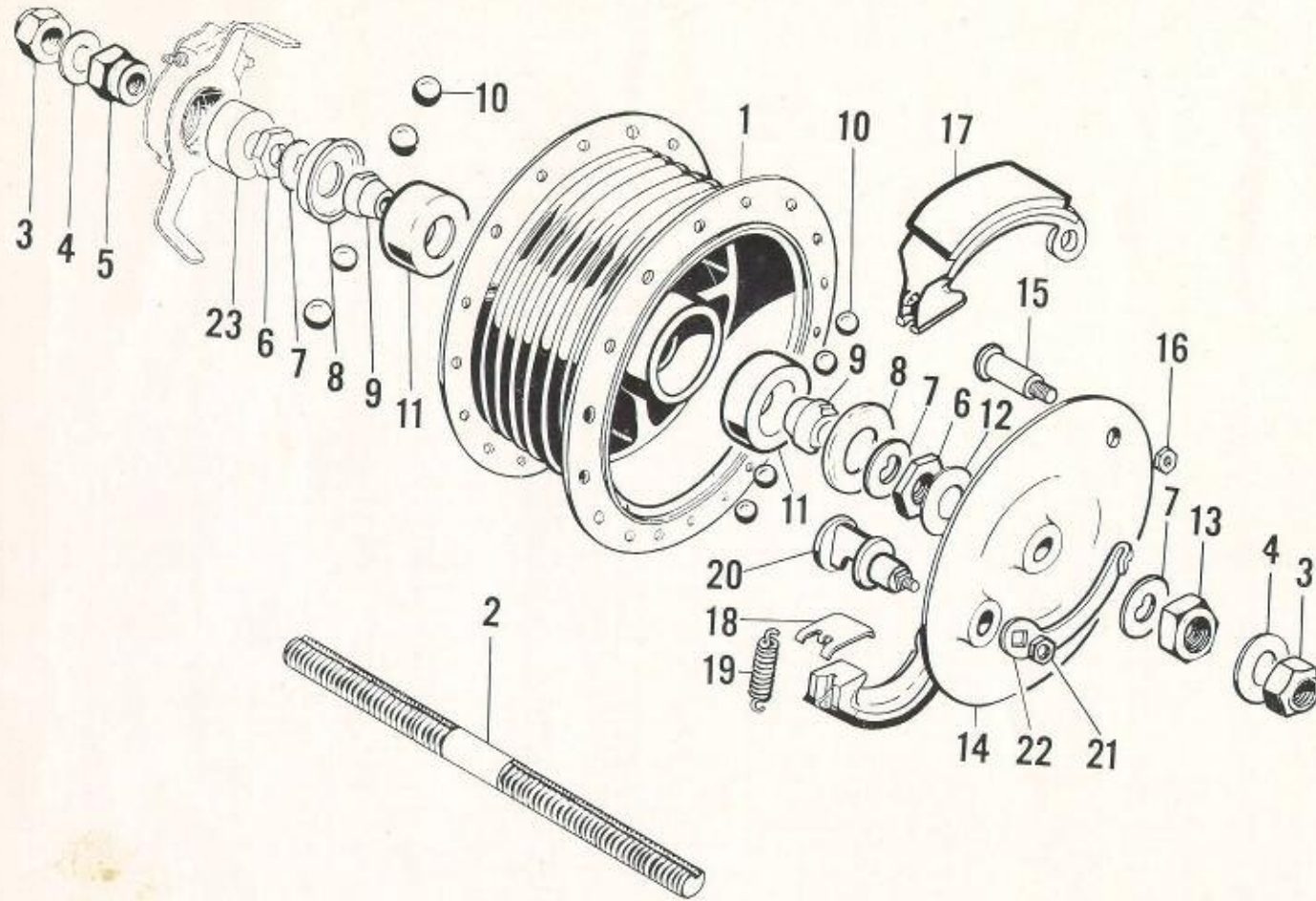
ILLUST. No.	PART No.	DESCRIPTION	No. OFF
10	4010984	Return spring, centre stand ... ..	1
11	6225017	Guard assembly, Vee belt ... ..	1
12	6235035	Carrier pressing assembly ... ..	1
13	4010329	Plastic edging strip, carrier ... ..	1
14	6235038	Toolbox lid, L.H. ... ..	1
N.I.	6235039	Toolbox lid, R.H. ... ..	1
15	4010307	Plastic edging strip, toolbox lid ... ..	2
16	4010308	Fastening screw, toolbox lid ... ..	2
17	4533016	Circlip, toolbox lid screw ... ..	2
18	3040433	Seat pillar ... ..	1
19	4010377	Liner, seat tube ... ..	1
20	4010378	Clip, seat pillar ... ..	1
21	6200353	Bolt, c/w nut and washer, seat pillar clip ... ..	1
22	4533017	Saddle, complete ... ..	1
N.I.	6200589	Saddle cover ... ..	1
23	4010336	Metallic trim strip ... ..	1
24	4010363	Bracket, cable retaining ... ..	1
25	4010424	Distance piece, upper and lower, carrier stay ... ..	4
26	4010302	Distance piece, centre, carrier stay ... ..	2
27	4010201	Bolt, $1\frac{1}{2}'' \times \frac{3}{16}'' \times 28$ T.P.I. ... ..	2
28	6235003	Tailpiece ... ..	1
29	6235053	Rear number plate ... ..	1
N.I.	6200536	Number plate for four figure registration ... ..	1
30	6235045	Rear mudguard ... ..	1
31	4010272	Carrier stay ... ..	2
32	4010294	Support stay, rear mudguard ... ..	2
33	2670089	Spacing washer, $\frac{1}{8}''$ thick, rear No. plate ... ..	1
34	6235040	Front mudguard ... ..	1
35	4010284	Front number plate ... ..	1
36	4010281	Support stay, front mudguard, front ... ..	1
37	6235034	Support stay, front mudguard, centre ... ..	1
38	4010280	Support stay, front mudguard, rear ... ..	1
39	6200537	Stop screw, c/w nut and washer, front brake outer cable ... ..	1
40	4010060	Cable clip ... ..	2
41	4010225	Bolt, $\frac{1}{2}'' \times \frac{3}{16}'' \times 28$ T.P.I. ... ..	22
42	2661056	Plain washer, $\phi \frac{3}{8}''$ ... ..	65
43	4010241	Self-locking nut, $\phi \frac{3}{8}'' \times 28$ T.P.I. ... ..	30
44	2990193	Bolt, $\frac{7}{8}'' \times \frac{3}{16}'' \times 28$ T.P.I. ... ..	2
45	3490653	Bolt, $\frac{3}{8}'' \times \frac{1}{8}'' \times 28$ T.P.I. ... ..	6
46	2990540	Square head bolt, $\frac{3}{8}'' \times \frac{7}{32}'' \times 28$ T.P.I. ... ..	2
47	2661036	Spring washer, $\phi \frac{3}{32}''$ ... ..	2
48	4010324	Cap nut, $\phi \frac{7}{32}'' \times 28$ T.P.I. ... ..	2
49	4010159	Spring washer, $\phi \frac{1}{8}''$ ... ..	2
50	4000060	Bolt, $\frac{9}{16}'' \times \frac{1}{2}''$ B.S.F. ... ..	2
51	2380208	Spring washer, $\phi \frac{1}{8}''$ ... ..	2
52	2660070	Plain washer, $\phi \frac{1}{8}''$ ... ..	2
N.I.	4010449	'Raleigh' badge (plastic) ... ..	2
N.I.	2380391	'Raleigh' trademark transfer ... ..	1
N.I.	4010456	Transfer for fairing ... ..	2
N.I.	4010180	Fuel ratio transfer ... ..	1

N.I. = Not illustrated  
 $\phi$  = Diameter



# RALEIGH Automatic MOPED MODEL RM 4

## FRONT WHEEL – GROUP H



ILLUST. No.	PART No.	DESCRIPTION	No. OFF
N.I.	6235050	Front wheel, complete ... ..	1
N.I.	4010371	Rim, front wheel, 23" x 2" ... ..	1
N.I.	4010370	Spoke ... ..	36
N.I.	4533014	Nipple ... ..	36
N.I.	4533004	Tyre, 23" x 2" ... ..	1
N.I.	4533005	Inner tube, 23" x 2" ... ..	1
N.I.	4533006	Rim tape ... ..	1
1	6200150	Hub shell, front ... ..	1
S.A.	4533013	Hub complete, front ... ..	1
2	6200134	Wheel spindle, front ... ..	1
3	4010373	Nut, wheel spindle ... ..	2
4	4010372	Plain washer, wheel spindle ... ..	2
5	6200279	Shouldered nut, wheel spindle ... ..	1
6	6200137	Locknut, cone ... ..	2
7	6200136	Keyed washer, cone ... ..	3
8	6200133	Dust cap ... ..	2
9	6200135	Bearing cone ... ..	2
10	4510374	Ball bearing, $\phi \frac{1}{4}$ " ... ..	20
11	6200132	Bearing cup ... ..	2
12	6200138	Spacing washer, brake plate ... ..	1
13	6200148	Locknut, brake plate ... ..	1
14	6200139	Brake plate, bare ... ..	1
S.A.	6200357	Brake plate, complete ... ..	1
15	6200145	Pivot pin, brake shoes ... ..	1
16	6200146	Nut, pivot pin ... ..	1
17	6200149	Brake shoe, c/w lining ... ..	2
18	6200140	End plate, brake shoe ... ..	2
19	6200459	Return spring, brake shoe ... ..	1
20	6200142	Brake cam ... ..	1
21	6200144	Nut, brake cam ... ..	1
22	6200356	Lever, brake cam ... ..	1
23	6200582	Spacer, speedometer drive unit ... ..	1
N.I.	6200358	Front axle, c/w bearings etc. ... ..	1

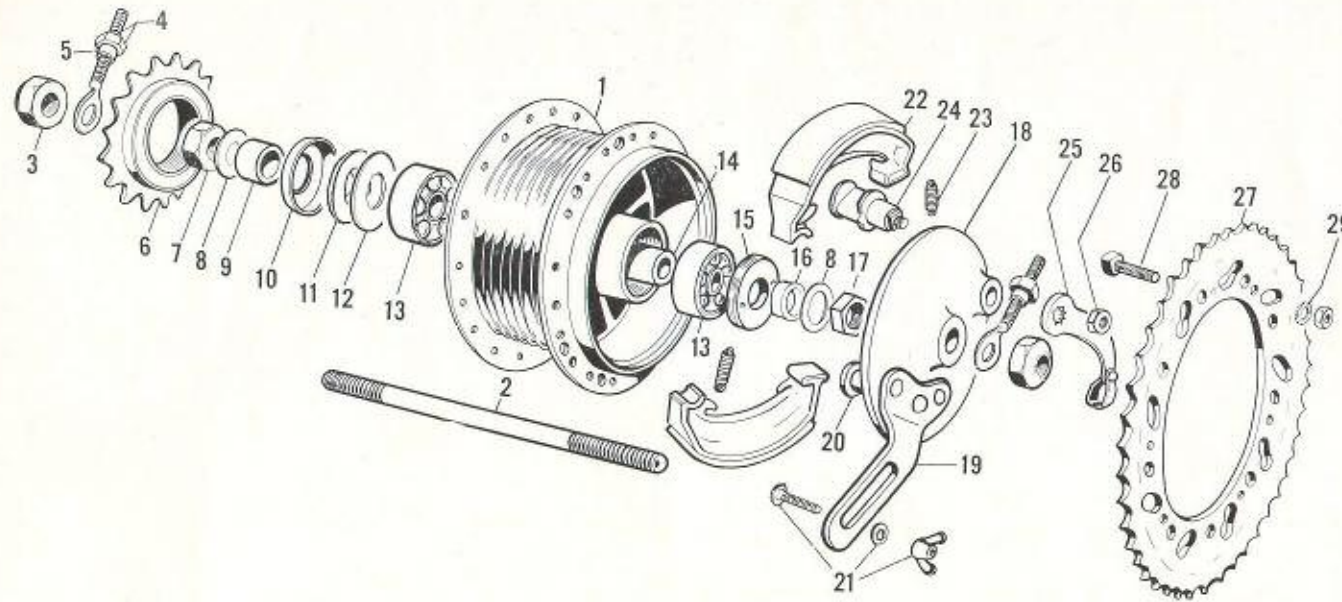
S.A. = Sub assembly (not illustrated)

N.I. = Not illustrated

$\phi$  = Diameter



# REAR WHEEL – GROUP I



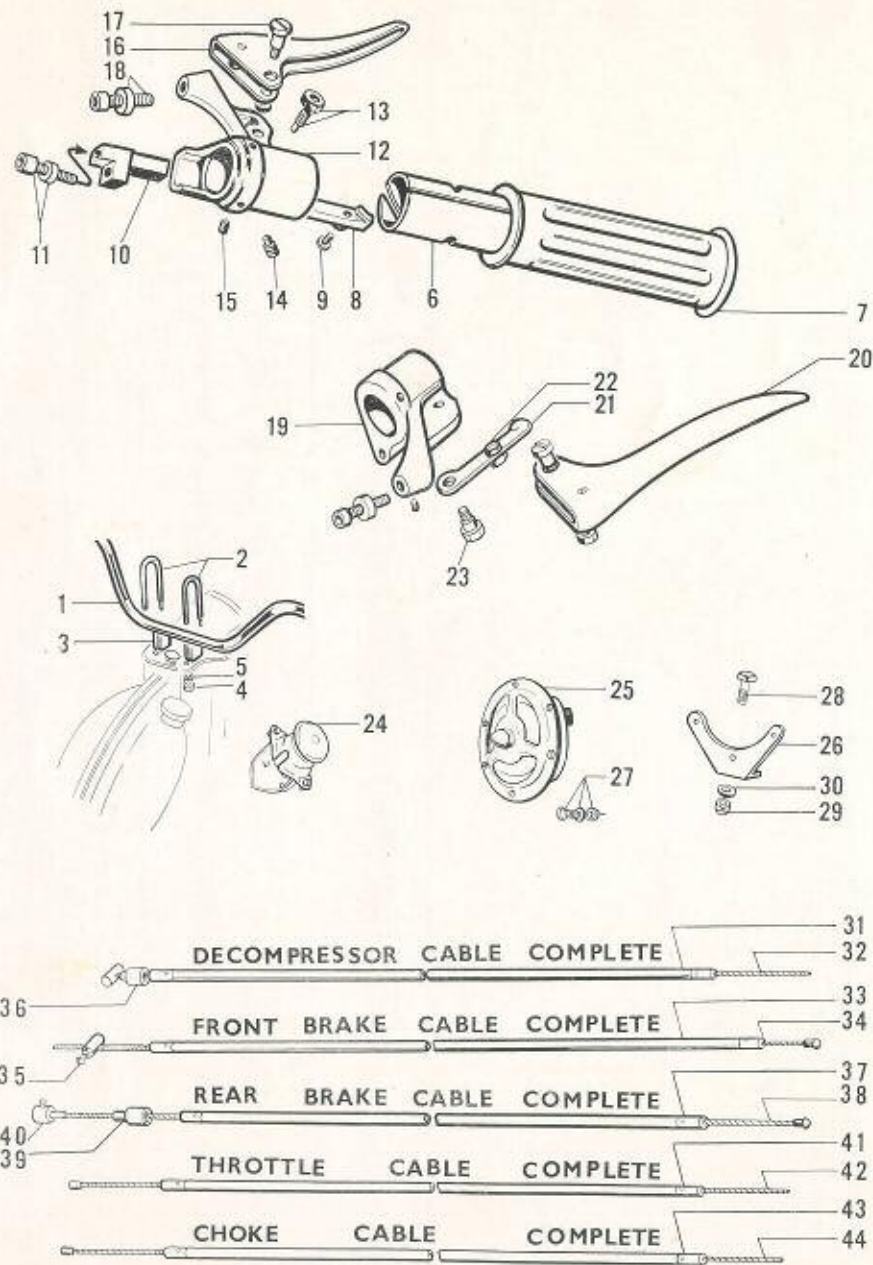
ILLUST. No.	PART No.	DESCRIPTION	No. OFF
N.I.	6200359	Rear wheel, c/w sprocket ... ..	1
N.I.	4010371	Rim, 23" x 2" ... ..	1
N.I.	4010374	Spoke ... ..	36
N.I.	4533014	Nipple ... ..	36
N.I.	4533004	Tyre, 23" x 2" ... ..	1
N.I.	4533005	Inner tube, 23" x 2" ... ..	1
N.I.	4533006	Rim tape ... ..	1
1	6200171	Hub shell, rear ... ..	1
S.A.	6200365	Rear hub, complete, with sprocket ... ..	1
S.A.	4533015	Rear hub, complete, less sprocket ... ..	1
2	6200151	Wheel spindle, rear ... ..	1
3	4010738	Nut, wheel spindle ... ..	2
4	6200362	Chain adjuster, c/w nut ... ..	2
5	4010376	Nut, chain adjuster ... ..	2
6	4533028	Freewheel ... ..	1
7	6200164	Nut, hub, 8 mm. thick ... ..	1
8	6200155	Plain washer, hub ... ..	2
9	6200154	Distance piece, 11 mm. long ... ..	1
10	6200163	Retainer, felt seal ... ..	1
11	6200157	Felt seal ... ..	1
12	6200162	Shield washer, bearing ... ..	1
13	6200168	Ball journal bearing ... ..	2
14	6200152	Distance piece, bearings ... ..	1
15	6200156	Screwed bearing retainer ... ..	1
16	6200153	Distance piece, 6 mm. long ... ..	1
17	6200161	Nut, hub, 5 mm. thick ... ..	1
18	6200366	Brake plate, bare ... ..	1
S.A.	6200158	Brake plate, complete ... ..	1
19	6200361	Torque arm, brake plate ... ..	1
20	6200364	Fixed pivot, brake shoes ... ..	1
21	6200360	Screw, c/w washer and wingnut, torque arm ... ..	1
22	6200174	Brake shoe, c/w lining ... ..	2
23	6200160	Return spring, brake shoe ... ..	2
24	6200166	Brake cam, c/w nut ... ..	1
25	6200167	Lever, brake cam ... ..	1
26	6200146	Nut, brake cam ... ..	1
27	4020139	Sprocket, rear wheel ... ..	1
28	6200394	Bolt, c/w nut, rear sprocket ... ..	6
29	4020141	Shakeproof washer, sprocket bolt ... ..	6

S.A. — Sub assembly (not illustrated)  
 N.I. — Not illustrated



**HANDLEBARS, CONTROL CABLES  
AND ELECTRIC HORN**

**GROUP J**



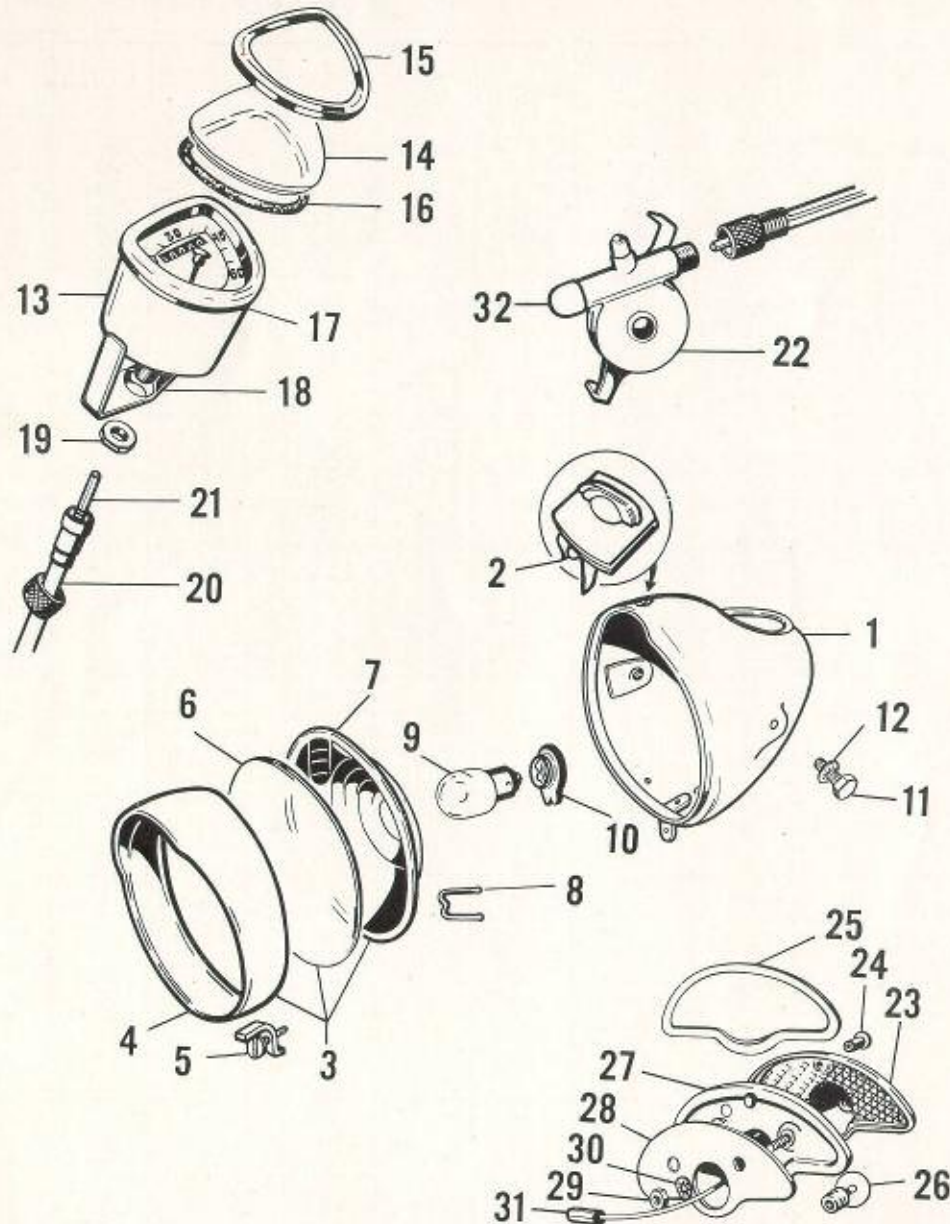
ILLUST. No.	PART No.	DESCRIPTION	No. OFF
1	4010881	Handlebar bend ... ..	1
S.A.	6200371	Handlebar, complete ... ..	1
2	4010907	U-bolt, handlebar bend ... ..	2
3	4010906	Spacer, handlebar bend ... ..	2
4	4010909	Nut, U-bolt ... ..	4
5	4010908	Shakeproof washer, U-bolt nut ... ..	4
S.A.	6200372	Set of U-bolts and spacers, c/w nuts and washers ... ..	1
6	4010885	Twistgrip sleeve ... ..	1
7	4010890	Handlebar grip ... ..	2
8	4010891	Throttle cursor ... ..	1
9	4010895	Clamp screw, throttle and decompressor cables ... ..	2
10	4010892	Decompressor cursor ... ..	1
11	4010894	Adjuster, c/w nut, decompressor cable ... ..	1
12	4010883	Twistgrip body ... ..	1
13	6200375	Sleeve retaining screw, c/w locknut ... ..	1
14	4010896	Grubscrew, twistgrip body locating ... ..	1
15	4010897	Grubscrew, grip body securing ... ..	4
S.A.	6200376	Twistgrip, complete ... ..	1
16	4010898	Handlebar lever, R.H. ... ..	1
17	6200370	Pivot screw, c/w nut, handlebar lever ... ..	2
18	4010905	Adjuster, c/w nut, brake cables ... ..	2
19	4010884	Grip body, L.H. ... ..	1
20	4010899	Handlebar lever, L.H. ... ..	1
S.A.	6200374	Grip body, complete, L.H. ... ..	1
21	4010886	Choke lever ... ..	1
22	6200497	Clamp, complete, choke cable ... ..	1
23	4010901	Pivot screw, choke lever ... ..	1
S.A.	6200373	Choke lever, complete ... ..	1
24	6200507	Horn button, complete ... ..	1
25	4533070	Electric horn kit, complete ... ..	1
26	4010714	Bracket, horn mounting ... ..	1
27	6200508	Screw, c/w nut and washer, horn to bracket ... ..	3
28	4010977	Bolt, horn bracket mounting ... ..	1
29	4533008	Nut, mounting bolt ... ..	1
30	2660070	Washer, mounting bolt ... ..	1
31	6235157	Decompressor cable, complete ... ..	1
32	6200380	Decompressor inner cable ... ..	1
33	6235153	Front brake cable, complete ... ..	1
34	6200382	Front brake inner cable ... ..	1
35	6200377	Solderless nipple, front brake cable ... ..	1
36	6200576	Cable ferrule ... ..	1
37	6235155	Rear brake cable, complete ... ..	1
38	6200383	Rear brake inner cable ... ..	1
39	6200381	Ferrule, rear brake cable ... ..	1
40	6200530	Solderless nipple, rear brake cable ... ..	1
41	6235159	Throttle cable, complete ... ..	1
42	6200378	Throttle inner cable ... ..	1
43	6235160	Choke cable, complete ... ..	1
44	6200577	Choke inner cable ... ..	1
N.I.	4010333	Sheath, control cables ... ..	2

S.A. = Sub assembly (not illustrated)  
N.I. = Not illustrated



**HEADLAMP, REARLAMP  
AND SPEEDOMETER**

**GROUP K**



ILLUST. No.	PART No.	DESCRIPTION	No. OFF
1	6235074	Headlamp shell ... ..	1
2	6200386	Lighting switch, complete ... ..	1
3	6200385	Optical assembly ... ..	1
4	4010467	Headlamp rim ... ..	1
5	6200384	Clip, c/w screw, rim securing ... ..	1
6	4010469	Headlamp glass ... ..	1
7	4010468	Headlamp reflector ... ..	1
8	4010482	Spring clip, reflector securing ... ..	4
9	4533068	Headlamp bulb ... ..	1
10	6235075	Bulb holder ... ..	1
11	4010465	Bolt, headlamp securing ... ..	2
12	4010464	Shakeproof washer, securing bolt ... ..	2
S.A.	6235072	Headlamp, complete ... ..	1
13	6200395	Speedometer head ... ..	1
14	6200392	Speedometer lens ... ..	1
15	6200393	Speedometer bezel ... ..	1
16	6200387	Joint, speedometer lens ... ..	1
17	6200388	Joint, speedometer housing ... ..	1
18	6200389	Bracket, speedometer head ... ..	1
19	6200390	Nut, speedometer head securing ... ..	1
20	6200396	Speedometer cable, complete ... ..	1
21	6200397	Speedometer inner cable ... ..	1
22	6200398	Speedometer drive unit ... ..	1
S.A.	4533069	Speedometer kit, complete ... ..	1
23	4561166	Rearlamp lens ... ..	1
24	4561168	Securing screw, rearlamp lens ... ..	1
25	4561169	Joint, rearlamp lens ... ..	1
26	4561167	Rearlamp bulb ... ..	1
27	4561141	Baseplate, rearlamp ... ..	1
28	4010066	Mounting joint, rearlamp ... ..	1
29	4561142	Nut, rearlamp securing ... ..	2
30	4561143	Shakeproof washer, rearlamp securing ... ..	2
31	4533010	Snap connector, rearlamp ... ..	1
S.A.	4519423	Rearlamp, complete ... ..	1
N.I.	6235046	Wire, magneto to headlamp ... ..	1
N.I.	6235047	Wire, rearlamp ... ..	1
N.I.	4010705	Plastic sleeve, wiring ... ..	1
N.I.	6200592	Sponge seal ... ..	1
32	6200597	Plastic cap, speedometer drive unit ... ..	1

S.A. = Sub assembly (not illustrated)  
N.I. = Not illustrated



**TOOLS – GROUP L**

ILLUST. No.	PART No.	DESCRIPTION	No. OFF
N.I.	4533030	Inflator ... ..	1
N.I.	4010428	Tool Wallet ... ..	1
or N.I.	4010979	Plastic tool wallet ... ..	1
N.I.	2661658	Spanner, $\frac{1}{8} \times \frac{3}{8} \times \frac{1}{2}$ " B.S.F. ... ..	1
N.I.	4010461	Spanner, cylinder head nuts ... ..	1
N.I.	4000074	Spanner, sparking plug ... ..	1
N.I.	4010462	Spanner, 8 mm. x 10 mm. ... ..	1
N.I.	4000076	Ring spanner, $\frac{3}{8} \times \frac{1}{2}$ " B.S.F. ... ..	1
N.I.	4010463	Combination spanner, 12 mm. x 14 mm. ... ..	1
N.I.	2662048	Combination spanner ... ..	1

N.I. = Not illustrated

**ACCESSORIES – GROUP M**

ILLUST. No.	PART No.	DESCRIPTION	No. OFF
N.I.	4533190	Legshield kit ... ..	1
N.I.	4533192	Windscreen ... ..	1
N.I.	4519456	Pannier ... ..	2

N.I. = Not illustrated

**PARTS LIST**

PART No.	GROUP	ILLUST. No.	PART No.	GROUP	ILLUST. No.	PART No.	GROUP	ILLUST. No.
2380208	G	51	4000338	A	12	4010322	G	2
2380391	G	N.I.	4000339	A	13	4010323	G	3
2660070	G	52	4000340	A	14	4010324	G	48
2660070	J	30	4000341	A	8	4010327	C	7
2660707	E	7	4000342	A	11	4010329	G	13
2661036	G	47	4000343	A	22	4010330	G	4
2661056	G	42	4000344	A	19	4010331	C	6
2661092	E	6	4000345	A	52	4010333	J	N.I.
2661658	L	N.I.	4000346	A	26	4010336	G	23
2662048	L	N.I.	4000348	D	2	4010363	G	24
2670089	G	33	4000352	A	21	4010366	F	28
2920380	E	3	4000353	A	24	4010367	F	26
2920381	E	5	4000370	A	56	4010368	F	25
2920443	E	10	4000371	A	58	4010369	F	24
2920677	E	2	4000372	A	57	4010370	H	N.I.
2930052	E	9	4000373	A	59	4010371	H	N.I.
2930677	E	N.I.	4000380	A	62	4010371	I	N.I.
2990193	G	44	4000381	A	64	4010372	H	4
2990540	G	46	4000382	A	63	4010373	H	3
3040433	G	18	4000392	B	12	4010374	I	N.I.
3490653	G	45	4000393	B	9	4010376	I	5
3620173	A	4	4000395	B	6	4010377	G	19
4000060	G	50	4000396	B	20	4010378	G	20
4000074	L	N.I.	4000397	B	19	4010384	G	8
4000076	L	N.I.	4000398	B	13	4010388	G	5
4000151	A	46	4000399	B	3	4010393	C	10
4000271	A	39	4000400	B	1	4010424	G	25
4000272	A	28	4000401	B	N.I.	4010428	L	N.I.
4000274	A	23	4000402	B	N.I.	4010429	F	20
4000301	A	18	4000403	B	N.I.	4010431	F	11
4000306	A	41	4000404	B	5	4010432	F	18
4000307	A	40	4000405	B	15	4010436	F	15
4000308	A	28	4000407	B	23	4010437	F	14
4000310	A	29	4000409	B	16	4010444	F	19
4000312	A	33	4010051	E	8	4010445	F	12
4000313	A	35	4010060	G	40	4010446	F	13
4000314	A	39	4010066	K	28	4010447	F	10
4000315	A	39	4010155	C	5	4010448	F	2
4000316	A	39	4010157	C	3	4010449	G	N.I.
4000317	A	48	4010159	E	45	4010456	G	N.I.
4000318	A	47	4010159	G	49	4010460	C	11
4000319	A	49	4010180	G	N.I.	4010461	L	N.I.
4000320	A	50	4010192	C	3	4010462	L	N.I.
4000322	A	43	4010201	G	27	4010463	L	N.I.
4000324	A	44	4010225	G	41	4010464	K	12
4000325	A	53	4010241	G	43	4010465	K	11
4000327	A	54	4010272	G	31	4010467	K	4
4000328	A	7	4010280	G	38	4010468	K	7
4000329	A	6	4010281	G	36	4010469	K	6
4000330	A	2	4010284	G	35	4010482	K	8
4000331	A	1	4010294	G	32	4010705	K	N.I.
4000335	A	15	4010302	G	26	4010706	A	3
4000336	A	10	4010307	G	15	4010714	J	26
4000337	A	9	4010308	G	16	4010731	F	7



PART No.	GROUP	ILLUST. No.	PART No.	GROUP	ILLUST. No.	PART No.	GROUP	ILLUST. No.	PART No.	GROUP	ILLUST. No.	PART No.	GROUP	ILLUST. No.	PART No.	GROUP	ILLUST. No.	PART No.	GROUP	ILLUST. No.
4010732	F	9	4020144	E	49	4533067	B	17	6200164	I	7	6200326	A	36	6200383	J	38	6235045	G	30
4010735	F	5	4020146	E	47	4533068	K	9	6200166	I	24	6200327	A	5	6200384	K	5	6235046	K	N.I.
4010736	F	8	4020148	E	43	4533069	K	S.A.	6200167	I	25	6200328	A	55	6200385	K	3	6235047	K	N.I.
4010737	G	6	4020149	E	44	4533070	J	25	6200168	I	13	6200329	A	S.A.	6200386	K	2	6235048	G	1
4010738	I	3	4020150	E	51	4533086	A	25	6200171	I	1	6200330	A	51	6200387	K	16	6235050	H	N.I.
4010881	J	1	4020150	F	6	4533156	D	S.A.	6200174	I	22	6200331	A	20	6200388	K	17	6235052	G	7
4010883	J	12	4020166	E	22	4533157	D	16	6200175	F	N.I.	6200332	A	S.A.	6200389	K	18	6235053	G	29
4010884	J	19	4020172	E	27	4533177	E	N.I.	6200177	A	S.A.	6200333	A	32	6200390	K	19	6235072	K	S.A.
4010885	J	6	4510374	H	10	4533178	E	N.I.	6200178	C	36	6200334	A	N.I.	6200392	K	14	6235074	K	1
4010886	J	21	4510377	E	4	4533179	D	N.I.	6200183	D	19	6200335	A	N.I.	6200393	K	15	6235075	K	10
4010890	J	7	4510377	F	27	4533180	D	N.I.	6200184	D	20	6200336	A	S.A.	6200394	I	28	6235077	C	2
4010891	J	8	4512194	E	15	4533185	C	N.I.	6200185	D	18	6200337	A	60	6200395	K	13	6235153	J	33
4010892	J	10	4512274	E	38	4533190	M	N.I.	6200186	D	15	6200338	B	S.A.	6200396	K	20	6235155	J	37
4010894	J	11	4518183	E	41	4533192	M	N.I.	6200187	D	11	6200339	C	29	6200397	K	21	6235157	J	31
4010895	J	9	4519408	C	1	4561141	K	27	6200188	D	12	6200340	C	30	6200398	K	22	6235158	F	21
4010896	J	14	4519423	K	S.A.	4561142	K	29	6200189	D	13	6200341	C	28	6200399	F	3	6235159	J	41
4010897	J	15	4519456	M	N.I.	4561143	K	30	6200190	D	7	6200342	D	26	6200400	F	4	6235160	J	43
4010898	J	16	4519505	C	4	4561166	K	23	6200191	D	6	6200343	D	5	6200401	A	17	6245004	E	26
4010899	J	20	4533004	H	N.I.	4561167	K	26	6200193	D	10	6200344	D	24	6200459	H	19	6245005	E	33
4010901	J	23	4533004	I	N.I.	4561168	K	24	6200194	D	9	6200345	D	27	6200497	J	22	6245013	E	S.A.
4010905	J	18	4533005	H	N.I.	4561169	K	25	6200195	D	8	6200346	D	30	6200507	J	24	6245014	E	1
4010906	J	3	4533005	I	N.I.	6200126	E	13	6200196	D	17	6200347	D	4	6200508	J	27	6245015	E	N.I.
4010907	J	2	4533006	H	N.I.	6200127	E	13	6200197	D	3	6200348	D	14	6200522	E	N.I.	6245018	E	12
4010908	A	45	4533006	I	N.I.	6200132	H	11	6200199	D	S.A.	6200349	D	28	6200530	J	40			
4010908	J	5	4533008	C	9	6200133	H	8	6200200	D	1	6200350	D	25	6200532	D	29			
4010909	A	42	4533008	J	29	6200134	H	2	6200206	C	S.A.	6200351	D	23	6200533	D	S.A.			
4010909	J	4	4533010	K	31	6200135	H	9	6200207	C	21	6200352	F	N.I.	6200534	E	S.A.			
4010910	F	30	4533011	D	21	6200136	H	7	6200208	C	37	6200353	G	21	6200535	F	1			
4010911	F	22	4533012	D	22	6200137	H	6	6200209	C	38	6200354	G	9	6200536	G	N.I.			
4010912	F	23	4533013	H	S.A.	6200138	H	12	6200210	C	35	6200356	H	22	6200537	G	39			
4010914	F	29	4533014	H	N.I.	6200139	H	14	6200211	C	34	6200357	H	S.A.	6200541	A	16			
4010977	J	28	4533014	I	N.I.	6200140	H	18	6200213	C	22	6200358	H	N.I.	6200576	J	36			
4010979	L	N.I.	4533015	I	S.A.	6200141	B	22	6200214	C	23	6200359	I	N.I.	6200577	J	44			
4010982	F	N.I.	4533016	G	17	6200142	H	20	6200215	C	25	6200360	I	21	6200580	F	17			
4010983	C	8	4533017	G	22	6200144	H	21	6200216	C	24	6200361	I	19	6200581	F	16			
4010984	G	10	4533028	I	6	6200145	H	15	6200217	C	26	6200362	I	4	6200582	H	23			
4020111	E	11	4533030	L	N.I.	6200146	H	16	6200218	C	27	6200364	I	20	6200583	E	N.I.			
4020112	E	14	4533032	E	21	6200146	I	26	6200219	C	17	6200365	I	S.A.	6200589	G	N.I.			
4020115	E	19	4533033	E	17	6200148	H	13	6200220	C	18	6200366	I	18	6200591	A	27			
4020116	E	16	4533034	E	23	6200149	H	17	6200221	C	20	6200367	E	16	6200596	E	39			
4020117	E	20	4533035	E	37	6200150	H	1	6200222	C	19	6200368	E	50	6200597	K	32			
4020127	E	34	4533036	E	40	6200151	I	2	6200223	C	14	6200369	E	N.I.	6225008	A	S.A.			
4020128	E	35	4533037	E	36	6200152	I	14	6200224	C	15	6200370	J	17	6225014	B	21			
4020129	E	30	4533045	A	30	6200153	I	16	6200225	C	16	6200371	J	S.A.	6225015	B	14			
4020130	E	31	4533046	B	11	6200154	I	9	6200226	C	12	6200372	J	S.A.	6225016	B	4			
4020132	E	32	4533047	B	10	6200155	I	8	6200227	C	13	6200373	J	S.A.	6225017	G	11			
4020134	E	29	4533048	A	34	6200156	I	15	6200228	C	32	6200374	J	S.A.	6225018	B	S.A.			
4020136	E	18	4533049	A	31	6200157	I	11	6200229	C	33	6200375	J	13	6225021	A	61			
4020137	E	25	4533050	B	8	6200158	I	S.A.	6200230	C	31	6200376	J	S.A.	6235003	G	28			
4020138	E	24	4533051	A	38	6200159	E	42	6200231	C	31	6200377	J	35	6235034	G	37			
4020139	I	27	4533052	A	37	6200160	I	23	6200232	C	31	6200378	J	42	6235035	G	12			
4020141	I	29	4533057	B	7	6200161	I	17	6200233	C	31	6200380	J	32	6235038	G	14			
4020142	E	46	4533058	B	2	6200162	I	12	6200279	H	5	6200381	J	39	6235039	G	N.I.			
4020143	E	48	4533059	B	18	6200163	I	10	6200317	E	28	6200382	J	34	6235040	G	34			



**ISSUED BY RALEIGH INDUSTRIES LIMITED**



This price list comes into effect on 10th July, 1961, and supersedes all previous lists.  
 We reserve the right to alter or vary the prices and specifications of any parts listed herein without prior notice.  
 All parts are sold subject to the general terms and conditions of sale and guarantee of our Motorised Division.

Part No.	Grp.	Fig.	Price £ s. d.
2380208	G	51	1
2380391	G	NI	3
2660070	G	52	1
070	J	30	1
2660707	E	7	5
2661036	G	47	1
2661056	G	42	1
2661092	E	6	1
2661658	L	NI	1 3
2662048	L	NI	2 2
2670089	G	33	2
2920380	E	3	5
2920381	E	5	1
2920443	E	10	1
2920677	E	2	2 3
2930052	E	9	4
2930677	E	NI	2 3
2990193	G	44	4
2990540	G	46	4
3040433	G	18	2 7
3490653	G	45	4
3620173	A	4	1
4000060	G	50	4
4000074	L	NI	1 3
4000076	L	NI	1 10
4000151	A	46	1
4000271	A	39	2
4000272	A	28	2 0
4000274	A	23	7 5
4000301	A	18	1 4 9
4000306	A	41	1 9 6
4000307	A	40	1 7 6
4000308	A	28	2 0
4000310	A	29	3 5
4000312	A	33	5 8
4000313	A	35	8
4000314	A	39	2
4000315	A	39	2
4000317	A	48	9
4000318	A	47	1 4
4000319	A	49	7
4000320	A	50	10
4000322	A	43	1
4000324	A	44	1 6
4000325	A	53	2 5
4000327	A	54	6
4000328	A	7	2
4000329	A	6	2
4000330	A	2	1 10
4000331	A	1	1 10
4000335	A	15	1 9
4000336	A	10	1 2
4000337	A	9	1
4000338	A	12	8
4000339	A	13	1 3

Part No.	Grp.	Fig.	Price £ s. d.
4000340	A	14	5
4000341	A	8	4
4000342	A	11	1
4000343	A	22	6
4000344	A	19	1 6
4000345	A	52	6
4000346	A	26	4
4000348	D	2	8
4000352	A	21	4
4000353	A	24	1
4000370	A	56	10
4000371	A	58	9 6
4000372	A	57	5 2
4000373	A	59	9
4000380	A	62	2 3
4000381	A	64	2
4000382	A	63	2
4000392	B	12	1 4
4000393	B	9	8
4000395	B	6	1 5
4000396	B	20	2
4000397	B	19	1 8
4000398	B	13	6
4000399	B	3	8
4000400	B	1	6
4000401	B	NI	3
4000402	B	NI	3
4000403	B	NI	3
4000404	B	5	9
4000405	B	15	1
4000407	B	23	1
4000409	B	16	3
4010051	E	8	9
4010060	G	40	6
4010066	K	28	9
4010155	C	5	6
4010157	C	3	3
4010159	E	45	1
159	G	49	1
4010180	G	NI	2
4010192	C	3	3
4010201	G	27	5
4010225	G	41	3
4010241	G	43	3
4010272	G	31	3 5
4010280	G	38	4 11
4010281	G	36	4 8
4010284	G	35	3 1
4010294	G	32	1 11
4010302	G	26	10
4010307	G	15	10
4010308	G	16	2 3
4010322	G	2	19 7
4010323	G	3	19 7
4010324	G	48	6

Part No.	Grp.	Fig.	Price £ s. d.
4010327	C	7	1 0
4010329	G	13	2 5
4010330	G	4	1 6
4010331	C	6	1 4
4010333	J	NI	10
4010336	G	23	1 2
4010363	G	24	1 9
4010366	F	28	3 3
4010367	F	26	2 1
4010368	F	25	2 7
4010369	F	24	1 10
4010370	H	NI	2
4010371	H	NI	19 8
371	I	NI	19 8
4010372	H	4	2
4010373	H	3	7
4010374	I	NI	2
4010376	I	5	4
4010377	G	19	1 10
4010378	G	20	2 7
4010384	G	8	9
4010388	G	5	1 4
4010393	C	10	3
4010424	G	25	7
4010428	L	NI	5 0
4010429	F	20	8
4010431	F	11	1 0
4010432	F	18	2 6
4010436	F	15	2 3
4010437	F	14	6 2
4010444	F	19	2 0
4010445	F	12	1 10
4010446	F	13	9
4010447	F	10	3 0
4010448	F	2	1 6
4010449	G	NI	4 3
4010456	G	NI	8
4010460	C	11	1 8
4010461	L	NI	2 0
4010462	L	NI	1 4
4010463	L	NI	1 5
4010464	K	12	1
4010465	K	11	6
4010467	K	4	16 3
4010468	K	7	6 10
4010469	K	6	4 2
4010482	K	8	3
4010705	K	NI	1 1
4010706	A	3	8
4010714	J	26	Maker's list
4010731	F	7	4
4010732	F	9	7
4010735	F	5	4
4010736	F	8	3
4010737	G	6	1

Part No.	Grp.	Fig.	Price £ s. d.
4010738	I	3	6
4010881	J	1	15 6
4010883	J	12	9 10
4010884	J	19	8 4
4010885	J	6	4 5
4010886	J	21	6
4010890	J	7	1 9
4010891	J	8	2 3
4010892	J	10	2 1
4010894	J	11	9
4010895	J	9	2
4010896	J	14	3
4010897	J	15	2
4010898	J	16	4 0
4010899	J	20	4 0
4010901	J	23	5
4010905	J	18	11
4010906	J	3	1 8
4010907	J	2	3 2
4010908	A	45	2 7
908	J	5	1
4010909	A	42	2
909	J	4	2
4010910	F	30	10
4010911	F	22	4 8
4010912	F	23	4
4010914	F	29	2 3
4010977	J	28	8
4010979	L	NI	2 11
4010982	F	NI	7
4010983	C	8	2
4010984	G	10	1 2
4020111	E	11	10 3
4020112	E	14	7 3
4020115	E	19	9
4020116	E	16	3 6
4020117	E	20	9
4020127	E	34	2
4020128	E	35	4
4020129	E	30	10
4020130	E	31	1 8
4020132	E	32	4
4020134	E	29	4
4020136	E	18	9
4020137	E	25	5
4020138	E	24	6
4020139	I	27	15 6
4020141	I	29	1
4020142	E	46	1 10
4020143	E	48	8
4020144	E	49	4
4020146	E	47	1 0
4020148	E	43	3
4020149	E	44	2
4020150	E	51	1

Part No.	Grp.	Fig.	Price £ s. d.
150	F	6	1
4020166	E	22	12 2
4020172	E	27	6 5
4510374	H	10	gross 4 6
4510377	E	4	gross 2 0
377	F	27	gross 2 0
4512194	E	15	5
4512274	E	38	Maker's list
4518183	E	41	Maker's list
4519408	C	1	6 5
4519423	K	SA	13 0
4519456	M	NI	pr. 2 11 0
4519505	C	4	13 2
4533004	H	NI	Maker's list
004	I	NI	Maker's list
4533005	H	NI	Maker's list
005	I	NI	Maker's list
4533006	H	NI	1 3
006	I	NI	1 3
4533008	C	9	7
008	J	29	7
4533010	K	31	4
4533011	D	21	5
4533012	D	22	4
4533013	H	SA	3 17 10
4533014	H	NI	1
014	I	NI	1
4533015	I	SA	3 17 6
4533016	G	17	3
4533017	G	22	2 5 0
4533028	I	6	9 0
4533030	L	NI	5 3
4533032	E	21	6
4533033	E	17	5
4533034	E	23	5 6
4533035	E	37	Maker's list
4533036	E	40	Maker's list
4533037	E	36	9 0
4533045	A	30	2
4533046	B	11	8
4533047	B	10	5
4533048	A	34	15 9
4533049	A	31	9 3
4533050	B	8	12 2
4533051	A	38	17 3
4533052	A	37	2 10
4533057	B	7	4
4533058	B	2	3
4533059	B	18	3
4533067	B	17	8
4533068	K	9	3/- + 6 purchase tax
4533069	K	SA	1 19 6
4533070	J	25	Maker's list
4533086	A	25	5



# RALEIGH Automatic MOPED MODEL RM.4. SPARE PARTS PRICE LIST

Part No.	Grp.	Fig.	Price £ s. d.
4533156	D	SA	7 8 7
4533157	D	16	4
4533177	E	NI	5 6
4533178	E	NI	5 6
4533179	D	29	Makers list
4533180	D	NI	1 9
4533185	C	NI	2
4533190	M	NI	3 9 6
4533192	M	NI	3 9 6
4561141	K	27	10 6
4561142	K	29	2
4561143	K	30	1
4561166	K	23	4 6
4561167	K	26	1/1 + 2
4561168	K	24	purchase tax
4561169	K	25	9
6200126	E	13	7
6200127	E	13	7
6200132	H	11	1 10
6200133	H	8	4
6200134	H	2	2 10
6200135	H	9	2 3
6200136	H	7	2
6200137	H	6	4
6200138	H	12	3
6200139	H	14	9 3
6200140	H	18	3
6200141	B	22	3 10
6200142	H	20	3 8
6200144	H	21	2
6200145	H	15	1 4
6200146	H	16	3
6200146	I	26	3
6200148	H	13	6
6200149	H	17	pr. 8 6
6200150	H	1	2 7 9
6200151	I	2	3 7
6200152	I	14	11
6200153	I	16	5
6200154	I	9	6
6200155	I	8	2
6200156	I	15	2 2
6200157	I	11	3
6200158	I	SA	1 6 9
6200159	E	42	Makers list
6200160	I	23	4
6200161	I	17	6
6200162	I	12	2
6200163	I	10	5
6200164	I	7	6
6200166	I	24	3 7
6200167	I	25	2 3
6200168	I	13	14 0
6200171	I	1	2 15 5

Part No.	Grp.	Fig.	Price £ s. d.
6200174	I	22	pr. 10 2
6200175	F	NI	8 10 4
6200177	A	SA	3 0
6200178	C	36	2
6200183	D	19	4 17 9
6200184	D	20	3 10
6200185	D	18	16 3
6200186	D	15	15 0
6200187	D	11	7 6
6200188	D	12	2
6200189	D	13	1
6200190	D	7	5
6200191	D	6	2
6200193	D	10	4
6200194	D	9	2
6200195	D	8	1 0
6200196	D	17	2 4
6200197	D	3	13 0
6200199	D	SA	3 18 3
6200200	D	1	1 9 2
6200206	C	SA	4 7 6
6200207	C	21	1 16 9
6200208	C	37	6 11
6200209	C	38	2 0
6200210	C	35	10
6200211	C	34	9
6200213	C	22	6 4
6200214	C	23	2
6200215	C	25	5 6
6200216	C	24	3 7
6200217	C	26	1
6200218	C	27	9
6200219	C	17	7
6200220	C	18	4 2
6200221	C	20	1 2
6200222	C	19	6
6200223	C	14	3 8
6200224	C	15	4
6200225	C	16	1
6200226	C	12	8
6200227	C	13	2
6200228	C	32	1 0
6200229	C	33	8
6200230	C	31	2 6
6200231	C	31	2 6
6200232	C	31	2 6
6200233	C	31	2 6
6200279	H	5	8
6200317	E	28	1 0
6200326	A	36	1 5
6200327	A	5	1 3
6200328	A	55	1 2
6200329	A	SA	5 6
6200330	A	51	2 19 6
6200331	A	20	6 2 6

Part No.	Grp.	Fig.	Price £ s. d.
6200332	A	SA	1 13 8
6200333	A	32	2 14 6
6200334	A	NI	9
6200335	A	NI	9
6200336	A	SA	5 6
6200337	A	60	8
6200338	B	SA	5 17 6
6200339	C	29	1 2
6200340	C	30	1 0
6200341	C	28	2 6
6200342	D	26	9
6200343	D	5	2
6200344	D	24	6
6200345	D	27	3
6200346	D	30	1 3 6
6200347	D	4	13 0
6200348	D	14	3
6200349	D	28	1 8
6200350	D	25	1 17 6
6200351	D	23	3 8
6200352	F	NI	12 3
6200353	G	21	1 2
6200354	G	9	1 0
6200356	H	22	1 10
6200357	H	SA	1 1 0
6200358	H	NI	10 6
6200359	I	NI	7 14 6
6200360	I	21	1 0
6200361	I	19	2 8
6200362	I	4	1 4
6200364	I	20	1 3
6200365	I	SA	5 6 6
6200366	I	18	8 3
6200367	E	16	3 6
6200368	E	50	8
6200369	E	NI	5 8
6200370	J	17	7
6200371	J	SA	2 19 4
6200372	J	SA	10 3
6200373	J	SA	1 0
6200374	J	SA	16 10
6200375	J	13	4
6200376	J	SA	1 3 11
6200377	J	35	6
6200378	J	42	1 3
6200380	J	32	1 0
6200381	J	39	6
6200382	J	34	1 6
6200383	J	38	1 9
6200384	K	5	1 4
6200385	K	3	1 7 5
6200386	K	2	4 6
6200387	K	16	9
6200388	K	17	9
6200389	K	18	1 0

Part No.	Grp.	Fig.	Price £ s. d.
6200390	K	19	9
6200392	K	14	1 3
6200393	K	15	1 9
6200394	I	28	7
6200395	K	13	1 2 6
6200396	K	20	7 6
6200397	K	21	4 6
6200398	K	22	12 6
6200399	F	3	12 6
6200400	F	4	12 6
6200401	A	17	2
6200459	H	19	4
6200497	J	22	7
6200507	J	24	Makers list
6200508	J	27	Makers list
6200522	E	NI	11 0
6200530	J	40	6
6200533	D	SA	9 4 8
6200534	E	26	2 5 0
6200535	F	1	4 7 3
6200536	G	NI	3 6
6200537	G	39	1 5
6200541	A	16	Makers list
6200576	J	36	4
6200577	J	44	10
6200580	F	17	1 2 5
6200581	F	16	1 3 3
6200582	H	23	7
6200583	E	NI	pr. 11 0
6200589	G	NI	8 0
6200591	A	27	1 1 0
6200592	K	NI	9
6200596	E	39	Makers list
6200597	K	32	4
6225008	A	SA	5 10 3
6225014	B	21	2 15 7
6225015	B	14	pr. 8 6
6225016	B	4	3 9 8
6225017	G	11	4 3
6225018	B	SA	8 16 3
6225021	A	61	1 2 6
6235003	G	28	3 11
6235034	G	37	8 4
6235035	G	12	2 18 8
6235038	G	14	7 9
6235039	G	NI	7 9
6235040	G	34	2 3 3
6235045	G	30	2 14 2
6235046	K	NI	11
6235047	K	NI	1 7
6235048	G	1	15 7 5
6235050	H	NI	5 12 9
6235052	G	7	12 5
6235053	G	29	4 7
6235072	K	SA	1 17 9

Part No.	Grp.	Fig.	Price £ s. d.
6235074	K	1	16 3
6235075	K	10	2 8
6235077	C	2	3 8 3
6235153	J	33	4 3
6235155	J	37	4 9
6235157	J	31	3 9
6235158	F	21	18 11
6235159	J	41	4 0
6235160	J	43	3 7
6245005	E	33	1 3
6245013	E	SA	8 11
6245014	E	1	5 6
6245015	E	NI	5 6
6245018	E	12	19 4



PURCHASE TAX REVISION 25th July, 1961.

Price alterations to Lighting Bulbs for the R.M.4 Automatic and R.M.5 Supermatic Mopeds.

4533068	Headlamp bulb 6v 15w (3/- + 7d P.T.)	3 7d
4561167	Rearlamp bulb 6v 3w (1/1d + 3½d P.T.)	1 4½d

---



# IceniCAM Information Service

