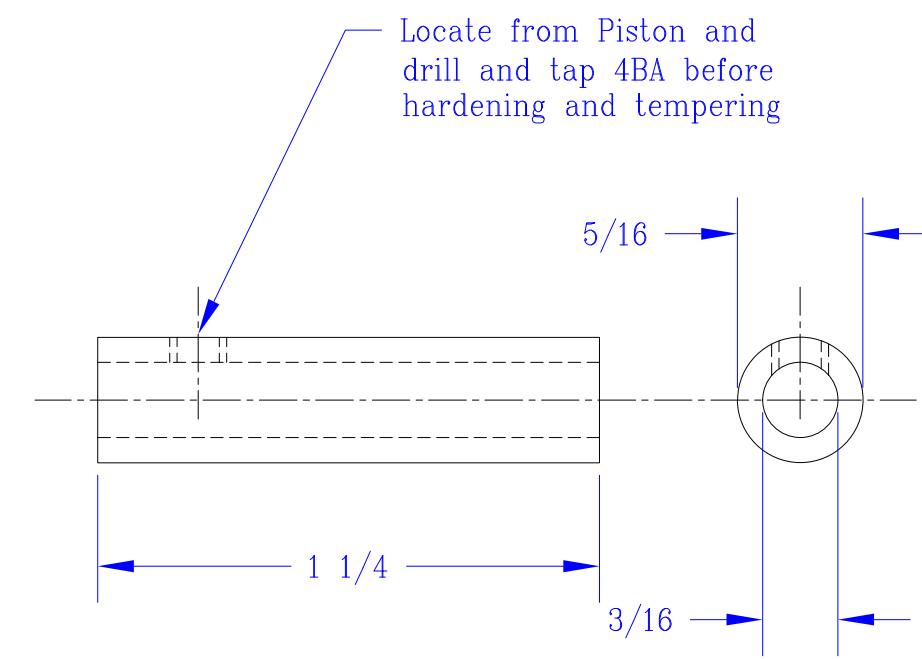
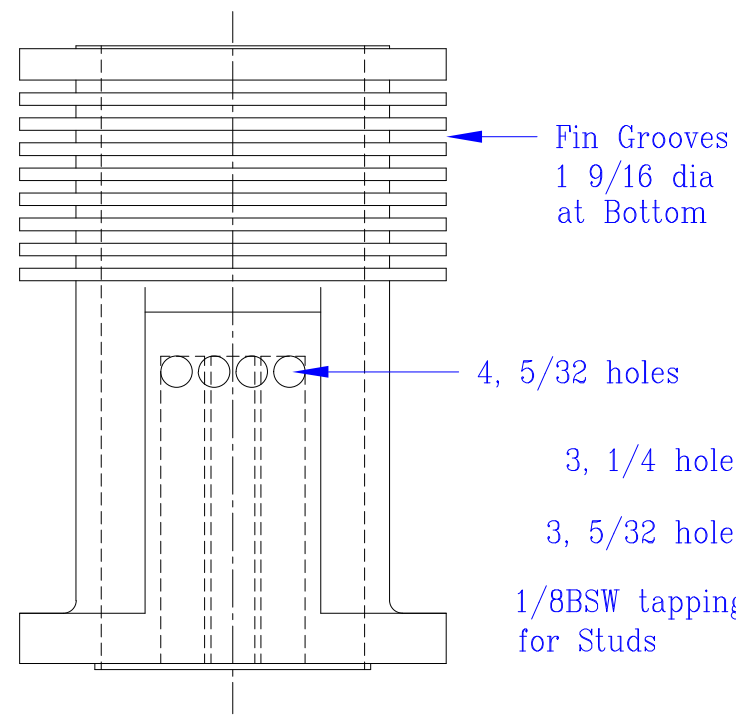
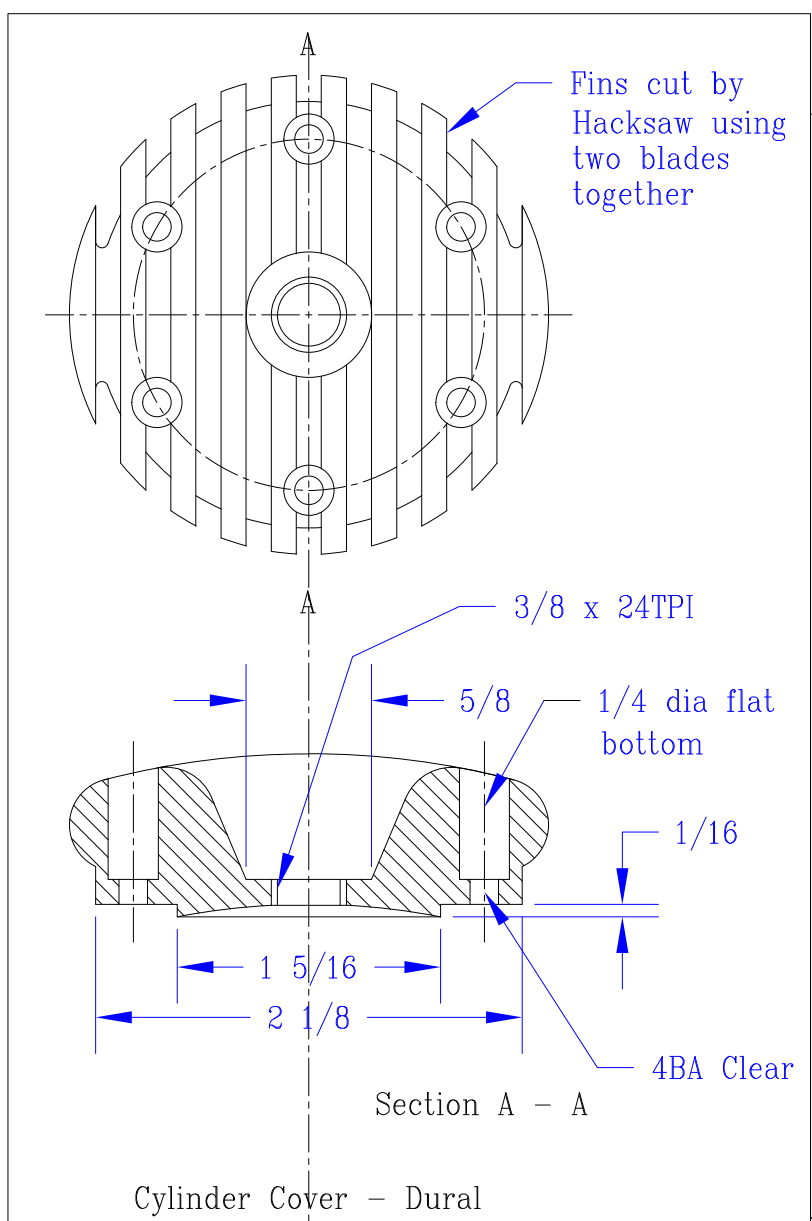
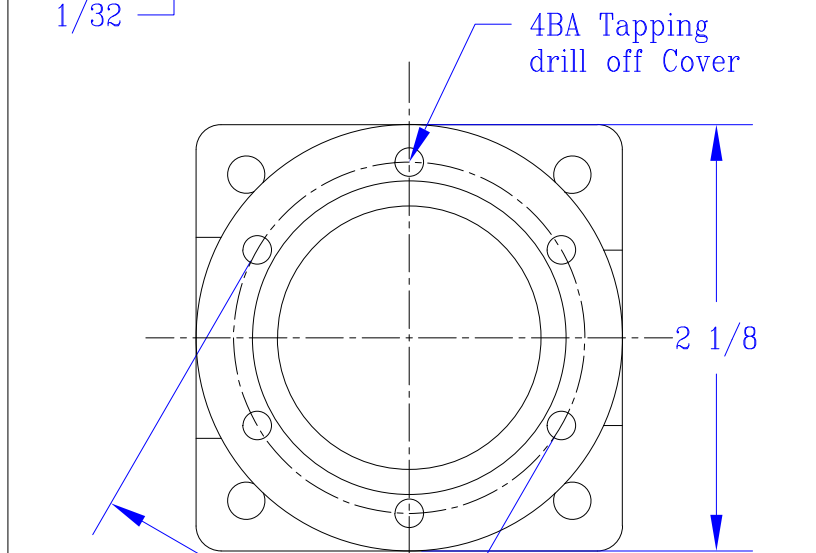


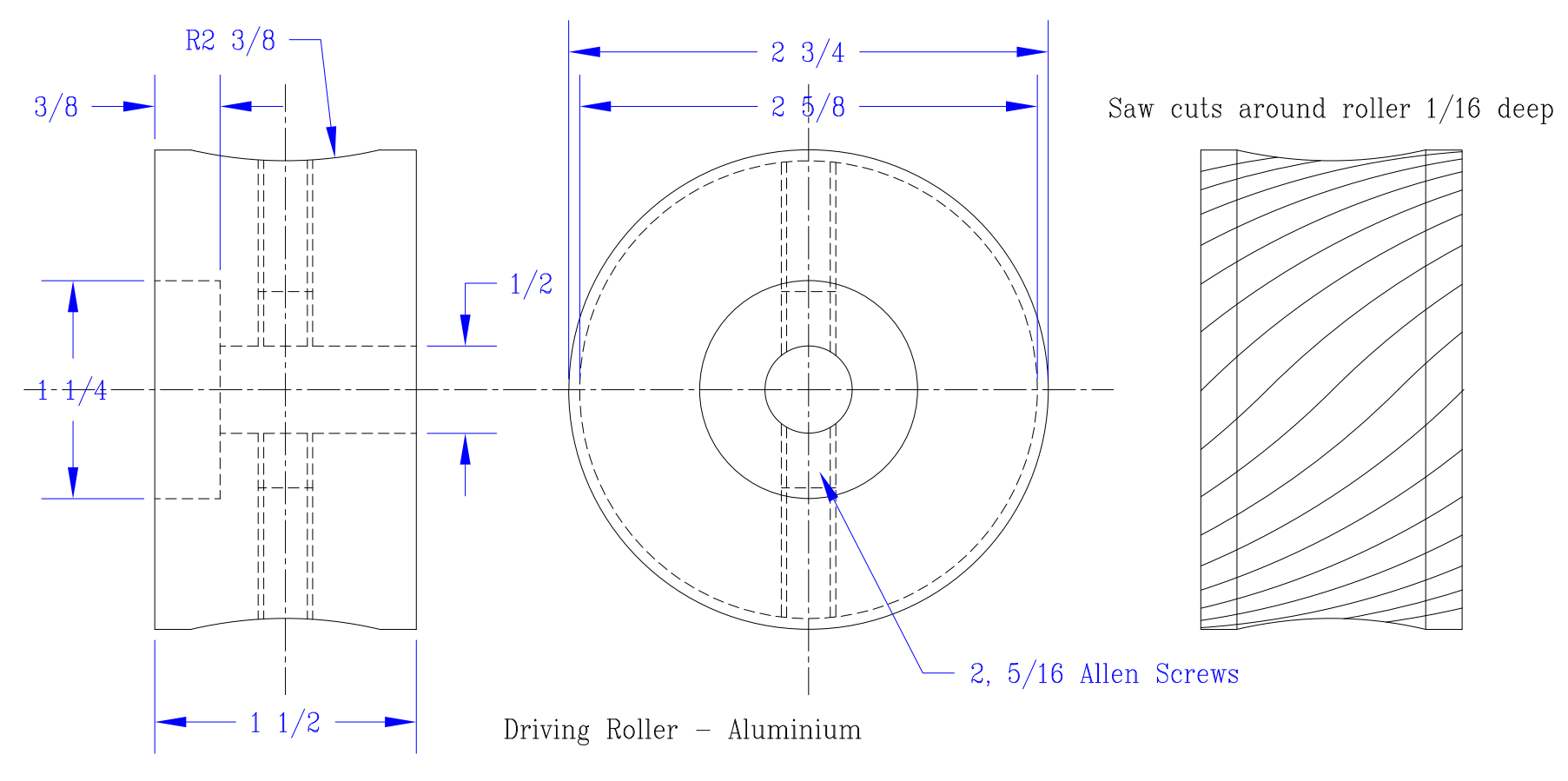
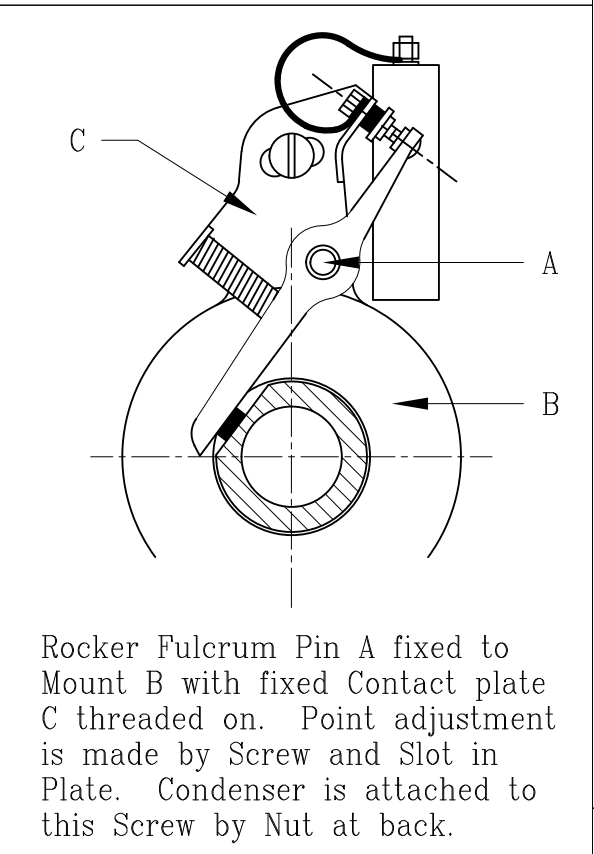
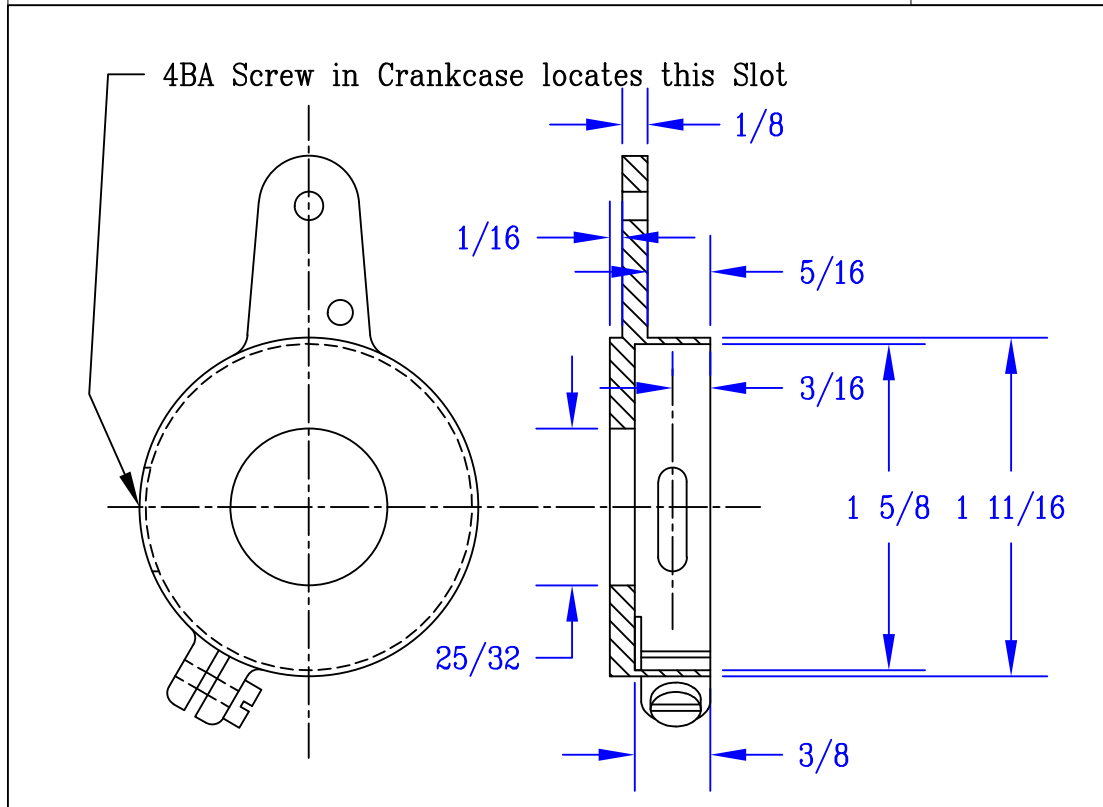
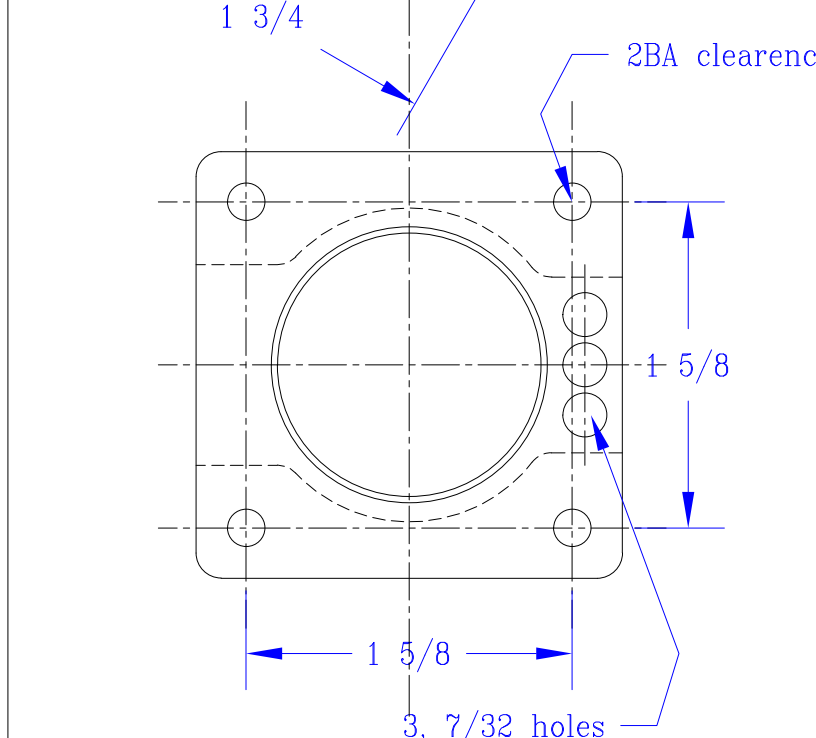
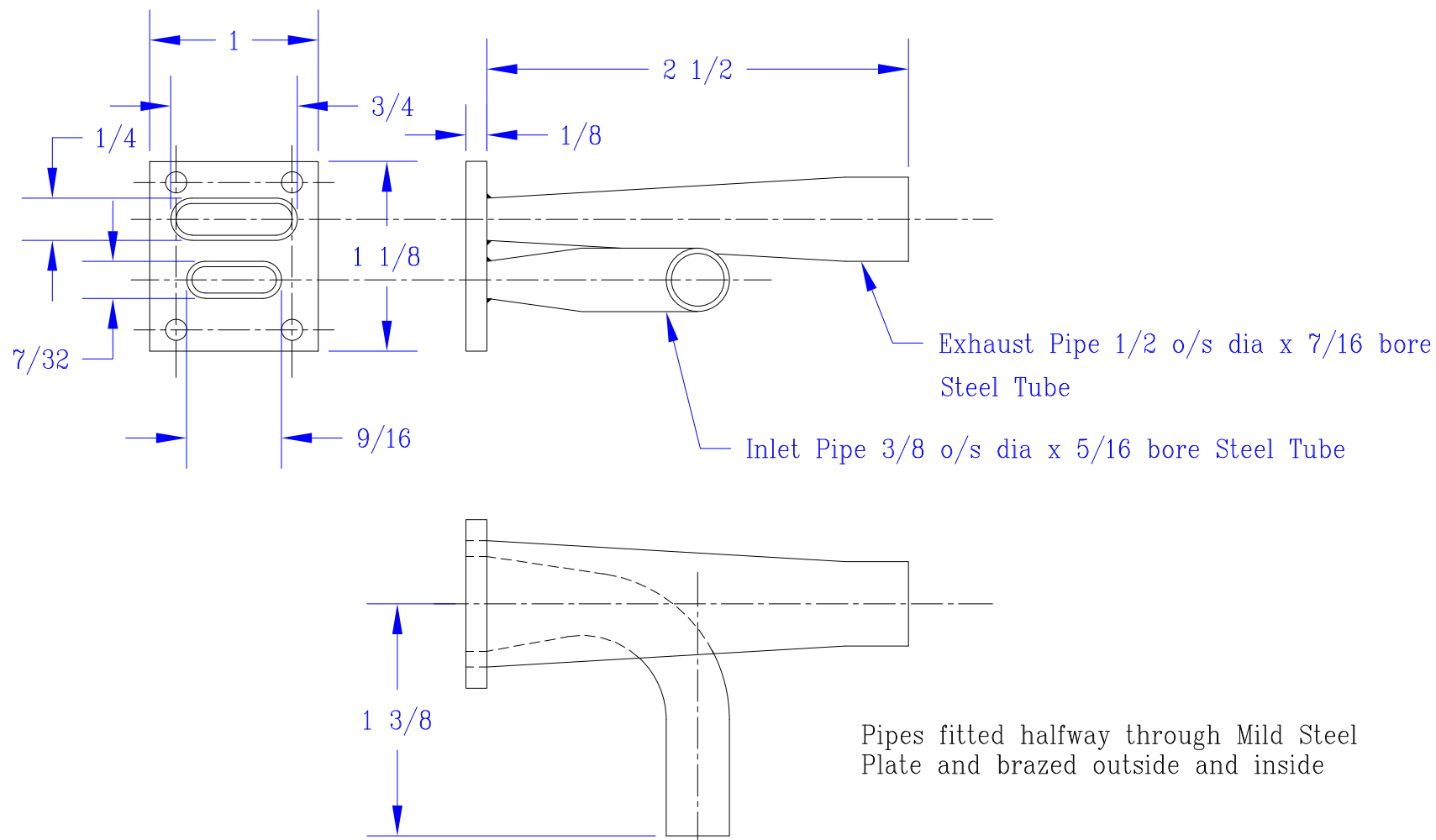
Cylinder - Cast Iron



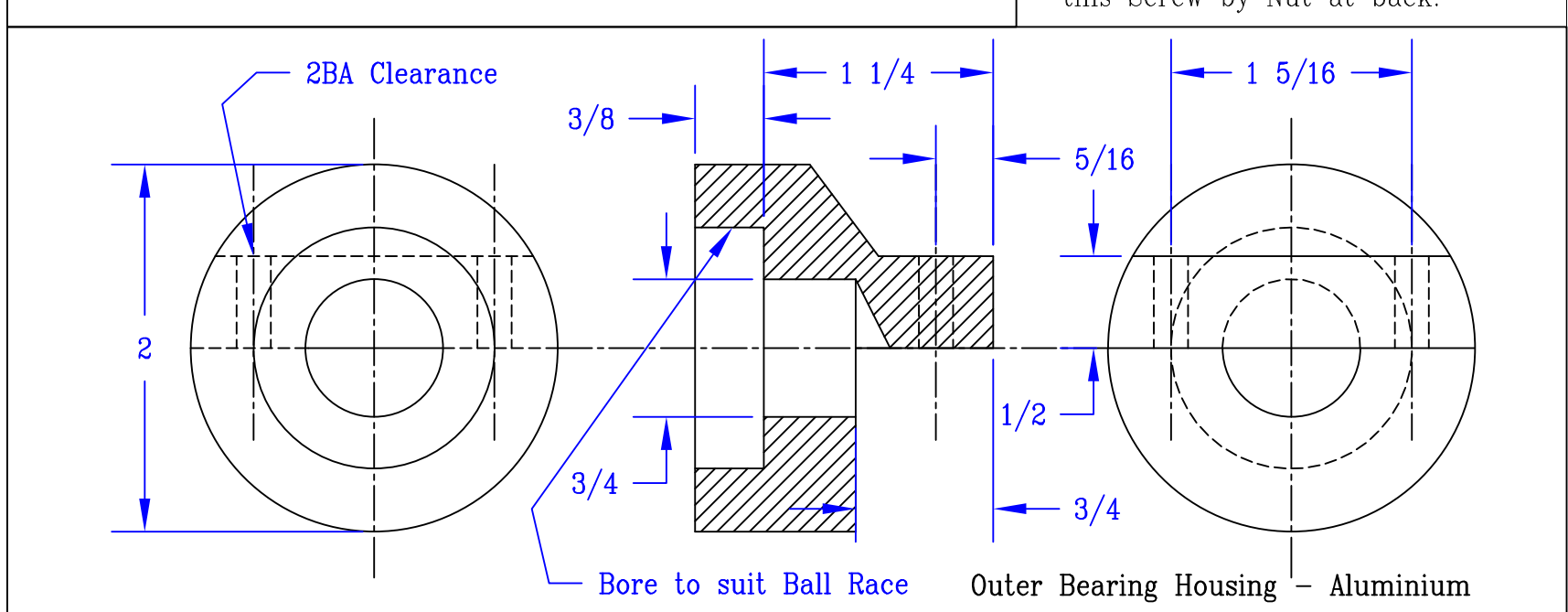
Gudgeon Pin - Silver Steel
Twice full size



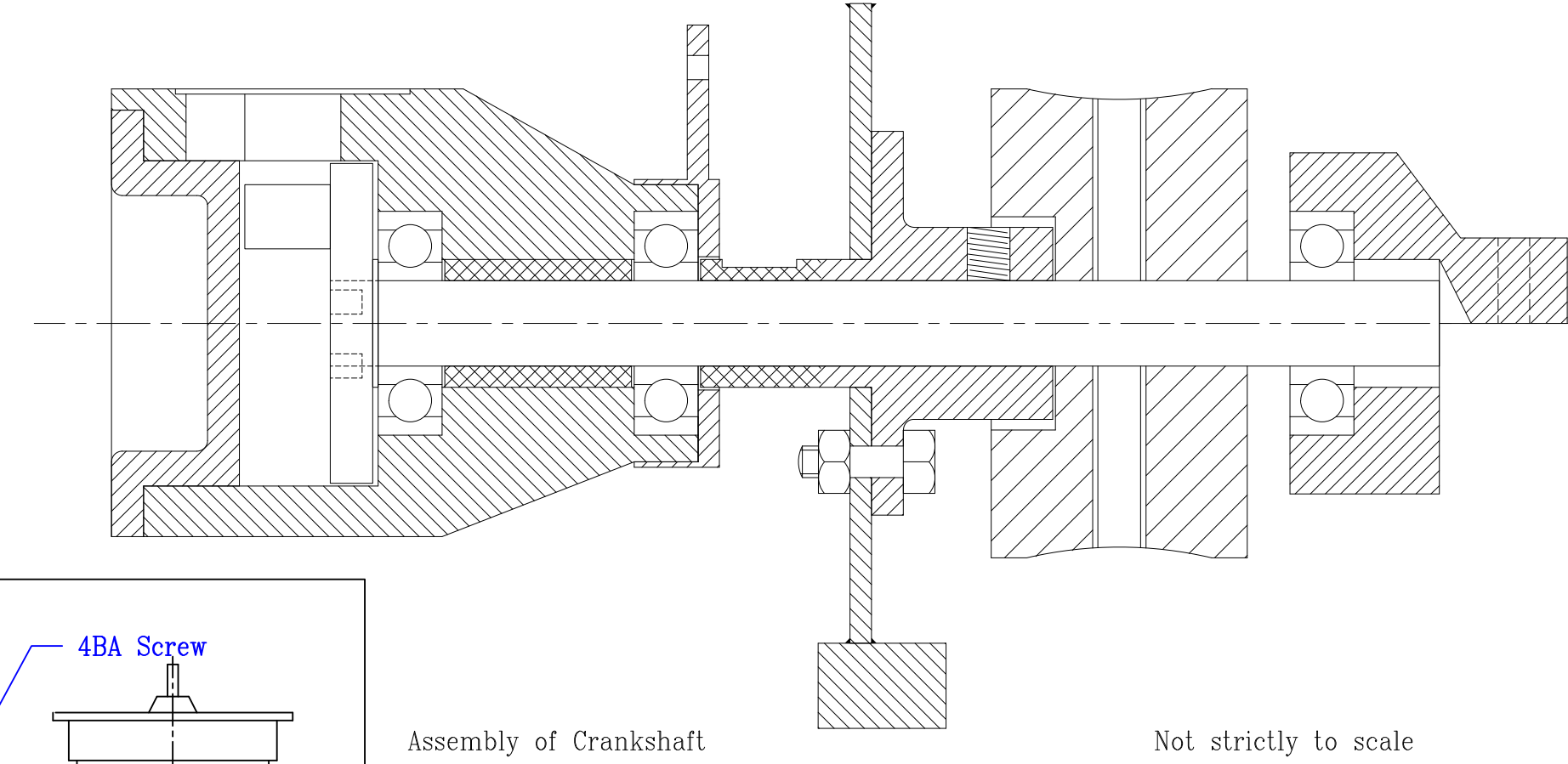
Cylinder Cover - Dural



Driving Roller - Aluminium

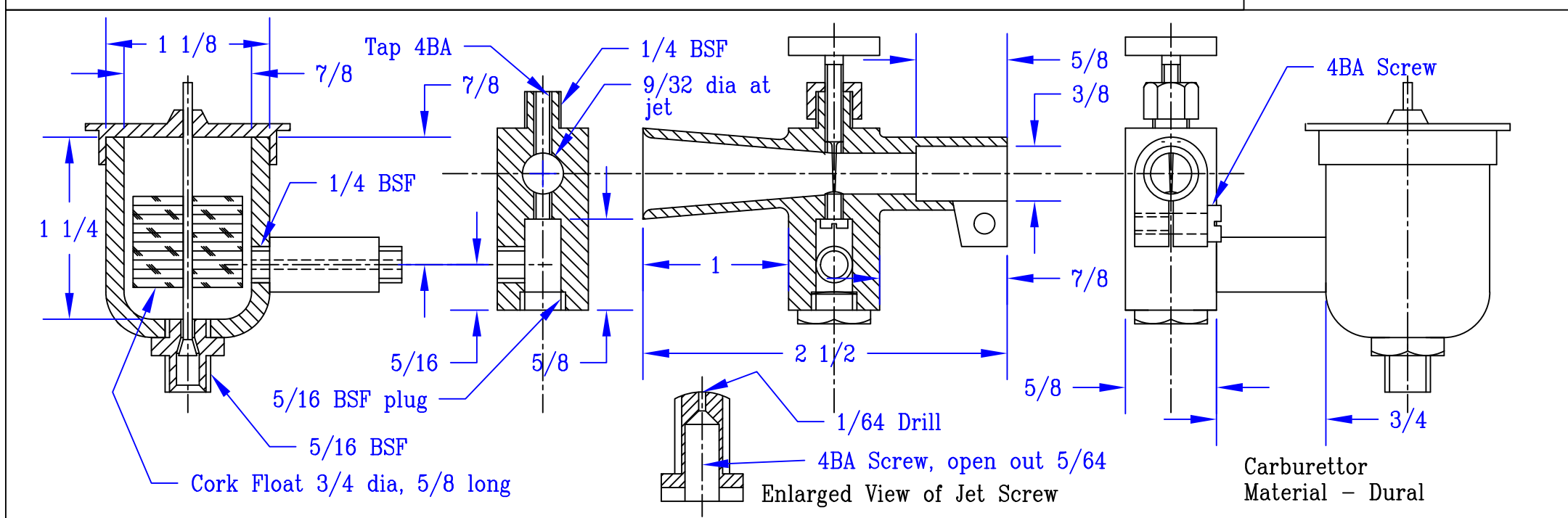


Outer Bearing Housing - Aluminium



Assembly of Crankshaft

Not strictly to scale



Carburettor Material - Dural

The 'Ostler' Mini-Auto

Plans redrawn with corrections in November 2002 for the

Iceni CAM Library