

M0515K
20

ENGLISH PUBLICATION

Mobylette



Type AV 89

With automatic clutch

DIMOBY

and automatic gear change

MOBYMATIC



Mobylette

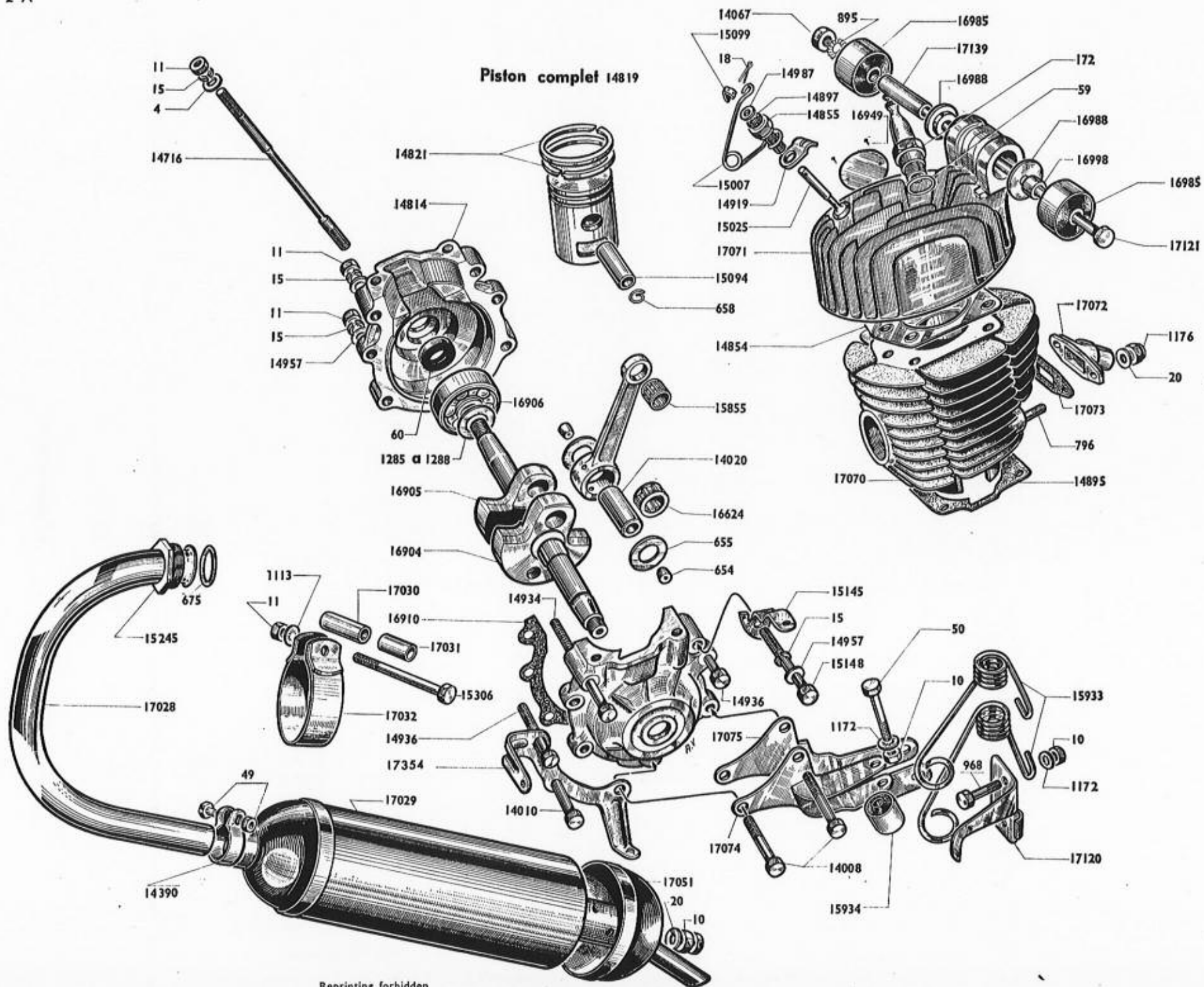
S U M M A R Y

Type AV 89 or AU 89

DESCRIPTION	SHEET	DESCRIPTION	SHEET
Engine - Attachment - Exhaust	2 A	Rear suspension shock absorbers	9 A
Gear change	3 A	Front wheel and hub "PRIOR"	10 A
Carburettor - Petrol tap	4 A	Rear wheel and hub "PRIOR"	11 A
Flywheel magneto	5 A	Saddles (REYDEL, VIDAL) single spring....	12 A
Front fork - Head Races	6 A	Handlebars - Controls - Electric bell "TIM- BRELEC"	13 A
Frame - Mudguards - Chainguards - Luggage carrier - Propstand - Front hood - Rear swing- ing arm - Cycle bolt Attachment	7 A	"LUXOR" Lighting Equipment - Speedometer 70 km	14 A
Pedal Unit - Chains - Chain tensioner.....	8 A	"SOUBITEZ" Lighting Equipment - "HURET" speedometer 90 km	15 A
		Legshield and Fixattor.....	16 A

Numbers of mechanical units are not mentioned on the drawings. For your information every unit is preceded with the letters S.A. in thick print.

At the time of modification in parts or mechanical units, we shall issue a corresponding sheet to be slipped in the present catalogue. It will bear the same sheet number as the concerned part or unit but with a different letter, for instance 2 B, 2C, 2D, in case of three successive modifications.



MOBYLETTE Type AV 89 or AU 89

ENGINE UNIT - SWIVELLING ATTACHMENT - EXHAUST

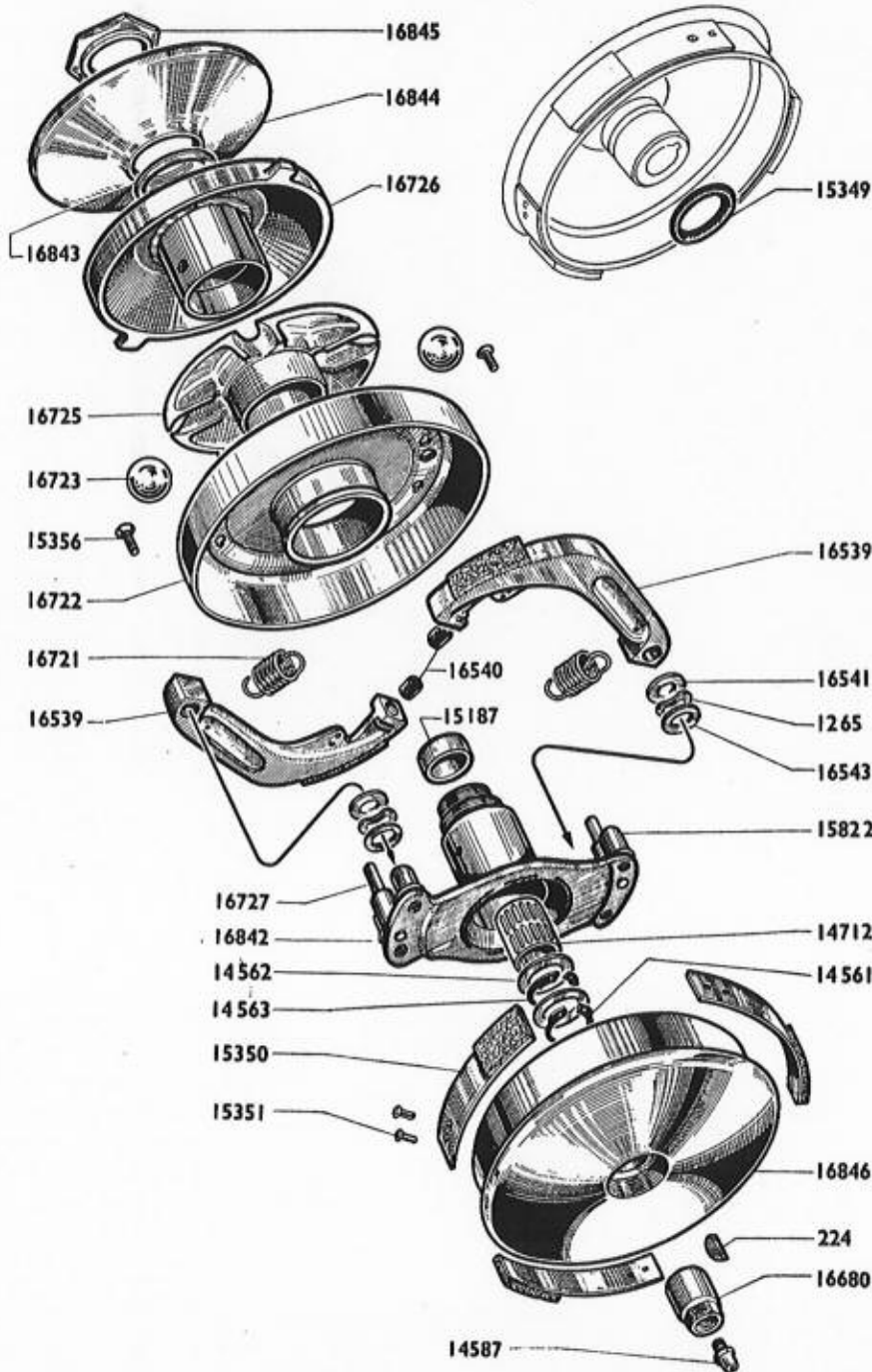
Part N°	Group	Quantity per machine	DESCRIPTION	Part N°	Group	Quantity per machine	DESCRIPTION
4	5	4	Flat washer $\varnothing 7 \frac{m}{m}$	15855	3	1	Small end needle cartridge
10	5		Nut of $6 \frac{m}{m} \times 100$	15933	5	1	Set of 2 tensioner springs
11	5		Nut of $7 \frac{m}{m} \times 100$	15934	4	1	Spring silentblock $6 \times 20 \times 22 \times 16$
15	5		Grower washer $\varnothing 7 \frac{m}{m}$	16623	3	S.A.	Connecting rod assembly complete
18	5	1	Decompressor split pin	16624	3	1	Big end roller cage
20	5	2	Flat washer $\varnothing 6 \frac{m}{m}$	16772	5	1	MOTOBECANE engine number plate
50	5	1	Axle bolt $\varnothing 6 \frac{m}{m} \times 100 \times 32$ for spring silentbloc	16773	5	1	MOTOCONFORT engine number plate
59	3	1	Sparkplug gasket	16903	3	S.A.	Crankshaft complete (shaft $\varnothing 16 \frac{m}{m}$)
60	5	2	Leakproof gasket (engine crankcase)	16904	3	1	Crankshaft weight, clutch side
172	3	1	Sparkplug size $14 \frac{m}{m}$ with gasket	16905	3	1	Crankshaft weight, flywheel side
654	5	2	Crankpin plug	16906	5	2	Crankshaft bearing $16 \times 42 \times 13$
655	5	2	Big end flange	16910	5	1	Crankcase gasket
658	3	2	Gudgeon pin circlips	16912	2	S.A.	Set of engine gaskets
796	5	2	Inlet pipe stud	16949	5	2	Grooved nail $\varnothing 2,5 \frac{m}{m}$
895	3	1	Blocfor washer of $\varnothing 8 \frac{m}{m}$	16967			Cylinder aluminium wedge 2/10
968	5	2	Bolt securing the springs $6/100 \times 20 \frac{m}{m}$	16968			Cylinder aluminium wedge 4/10
1172	5	3	Nomel washer $\varnothing 6 \frac{m}{m}$	16985	4	2	Upper articulation silentblock $8 \times 32 \times 17,2 \times 18$
1176	5	2	Nylstop nut $\varnothing 6 \frac{m}{m} \times 100$	16988	5	2	Upper articulation shouldered washer
1285			Crankshaft adjusting wedge $\varnothing 18,9 \times 24 \times 1/10$	16998	5	1	Upper articulation L.H. distance piece $L = 4 \frac{m}{m}$
1286			Crankshaft adjusting wedge $\varnothing 18,9 \times 24 \times 2/10$	17070	3	1	Cylinder with piston complete matched
1287			Crankshaft adjusting wedge $\varnothing 18,9 \times 24 \times 3/10$	17071	3	1	Cylinderhead stripped with articulation embossment
1288			Crankshaft adjusting wedge $\varnothing 18,9 \times 24 \times 5/10$	17072	5	1	Inlet pipe inner $\varnothing 15 \frac{m}{m}$ - Outer $\varnothing 22 \frac{m}{m}$
14008	5	2	Bolt $7 \times 100 \times 47 \frac{m}{m}$	17073	5	1	Inlet pipe gasket
14010	5	1	Bolt $7 \times 100 \times 41 \frac{m}{m}$	17074	5	1	L.H. lower engine support
14020	3	1	Crankpin	17075	5	1	R.H. lower engine support
14067	5	1	Swivel axle nut $\varnothing 8 \frac{m}{m} \times 100$	17120	5	1	Tensioner springs stop lug
14716	5	4	Stud holding cylinder and cylinderhead	17121	5	1	Engine upper articulation bolt $8 \times 100 \times 165 \frac{m}{m}$
14721	5	S.A.	Decompressor complete	17139	5	1	Upper articulation R.H. distance piece $L = 41 \frac{m}{m}$
14814	1	1	Engine crankcase with leakproof gaskets	17196		S.A.	Cylinderhead complete
14819	3	S.A.	Piston complete	17354		1	Double lug holding pulley guard
14821	3	2	Piston ring width $2 \frac{m}{m}$				
14854	5	1	Cylinderhead gasket				
14855	5	1	Decompressor body				
14895	5	1	Cylinder gasket	10	5	2	Nut $6 \frac{m}{m} \times 100$
14897	5	1	Decompressor valve gasket	20	5	1	Flat washer $\varnothing 6 \frac{m}{m}$
14919	4	1	Anchoring lug (decompressor cable)	49	5	1	Clip bolt $7 \frac{m}{m} \times 100 \times 25$
14934	5	1	Bolt $7 \frac{m}{m} \times 100 \times 70$	675	5	1	Exhaust gasket
14936	5	2	Bolt $7 \frac{m}{m} \times 100 \times 30$	1113	5	2	Nomel washer $\varnothing 7 \frac{m}{m}$
14957	5	1	Bolt flat washer $\varnothing 7 \frac{m}{m}$	14390	5	1	Silencer clip
14987	5	1	Valve gasket washer	15245	5	1	Exhaust nut
15007	5	1	Decompressor spring	15306	5	2	Clip bolt $\varnothing 7 \frac{m}{m} \times 100 \times 68,5$
15025	5	1	Decompressor valve	17028	6	1	Exhaust pipe
15094	3	1	Piston pin	17029	4	S.A.	Exhaust silencer complete
15099	5	1	Valve link	17030	4	2	Silencer set washer $L = 27 \frac{m}{m}$
15145	2	1	Crankcase upper lug	17031	4	2	Silencer set washer $L = 22 \frac{m}{m}$
15148	5	1	Screw $7 \frac{m}{m} \times 125 \times 45$	17032	4	2	Clip securing exhaust silencer on engine
15175	5	S.A.	Set of crankcase screws	17051	4	1	Exhaust tail cover

EXHAUST

MOBYLETTE

Type AV 89 or AU 89

AUTOMATIC GEAR CHANGE "MOBYMATIC" with "DIMOBY" CLUTCH



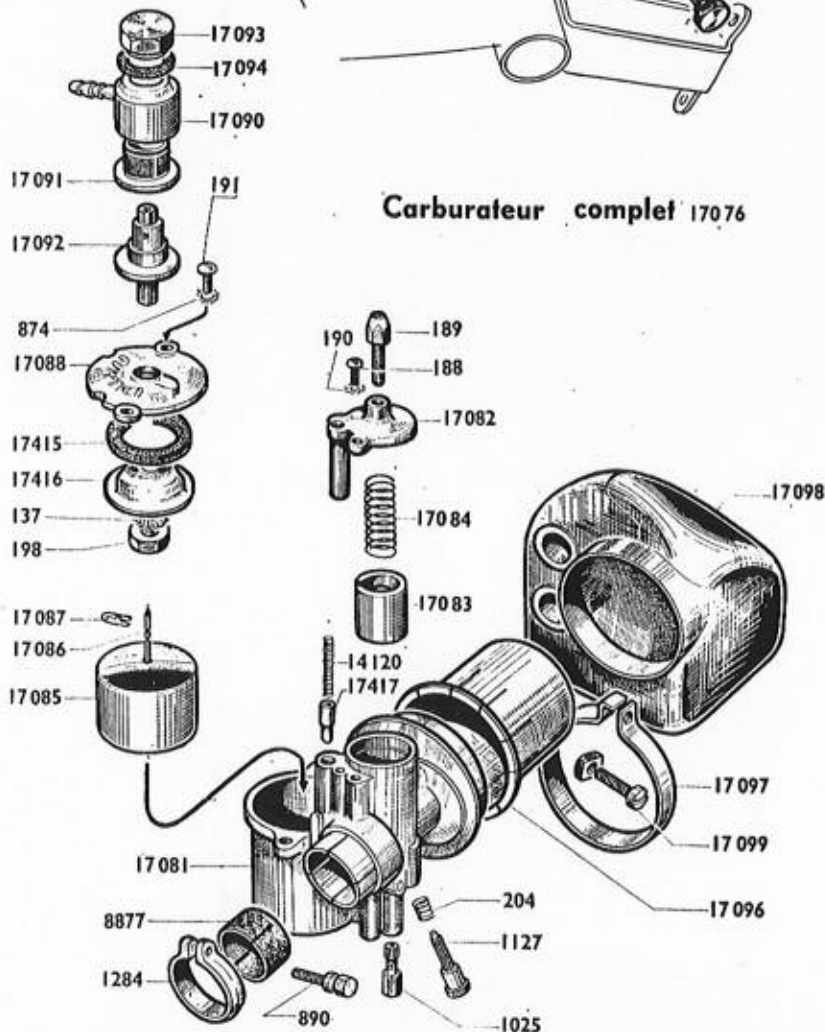
Part N°	Group	Quantity per machine	DESCRIPTION
224	6	1	Clutch drum cotter pin.....
1265	5	2	Small column spring washer inner $\varnothing = 10 \frac{m}{m}$
14561	6	1	Outer circlips $\varnothing 15 \frac{m}{m}$
14562	6	2	Clutch lateral flange.....
14563	6	1	Inner circlips $\varnothing 22 \frac{m}{m}$
14587	5	1	Grease nipple.....
14712	5	1	Needle cartridge $15 \times 19 L = 22 \frac{m}{m}$
15187	2	1	Clutch hub plug.....
15349	2	1	Drum gasket.....
15350	2	3	Spring with ferodo.....
15351	6	6	Spring rivet.....
15356	2	4	Flange securing screw $4 \times 75 \times 14$
15822	2	4	Small column to be rivetted, length under flange $13,5 \frac{m}{m}$
16539	2	2	Clutch riser with lining.....
16540	6	2	Clup riser stop.....
16541	6	2	Small column washer $\varnothing 8 \times 15 \times 1$
16543	6	2	Small column washer $\varnothing 10 \times 15 \times 1$
16680	2	1	Drum lock nut (new model).....
16721	6	2	Clutch riser spring.....
16722	2	1	Flange with drum and oil deflector.....
16723	6	4	Gear change ball $\varnothing 13,49 \frac{m}{m}$
16725	2	1	Cage for balls (nylon).....
16726	2	1	Stripped pulley mobile flange.....
16727	2	2	Mobile flange stop $\varnothing 6 \frac{m}{m} L = 33 \frac{m}{m}$
16840	2	S.A.	Gear change complete.....
16842	2	1	Clutch hub.....
16843	2	1	Fixed flange washer.....
16844	2	1	Pulley fixed flange (screwed) F. IT = 27×100 (right hand thread).....
16845	2	1	Fixed flange locknut $\varnothing 25 \times 100$ (left hand thread).....
16846	2	1	Drum with springs.....

S.A. = Sub-assembly (not illustrated).

Robinet essence 15550

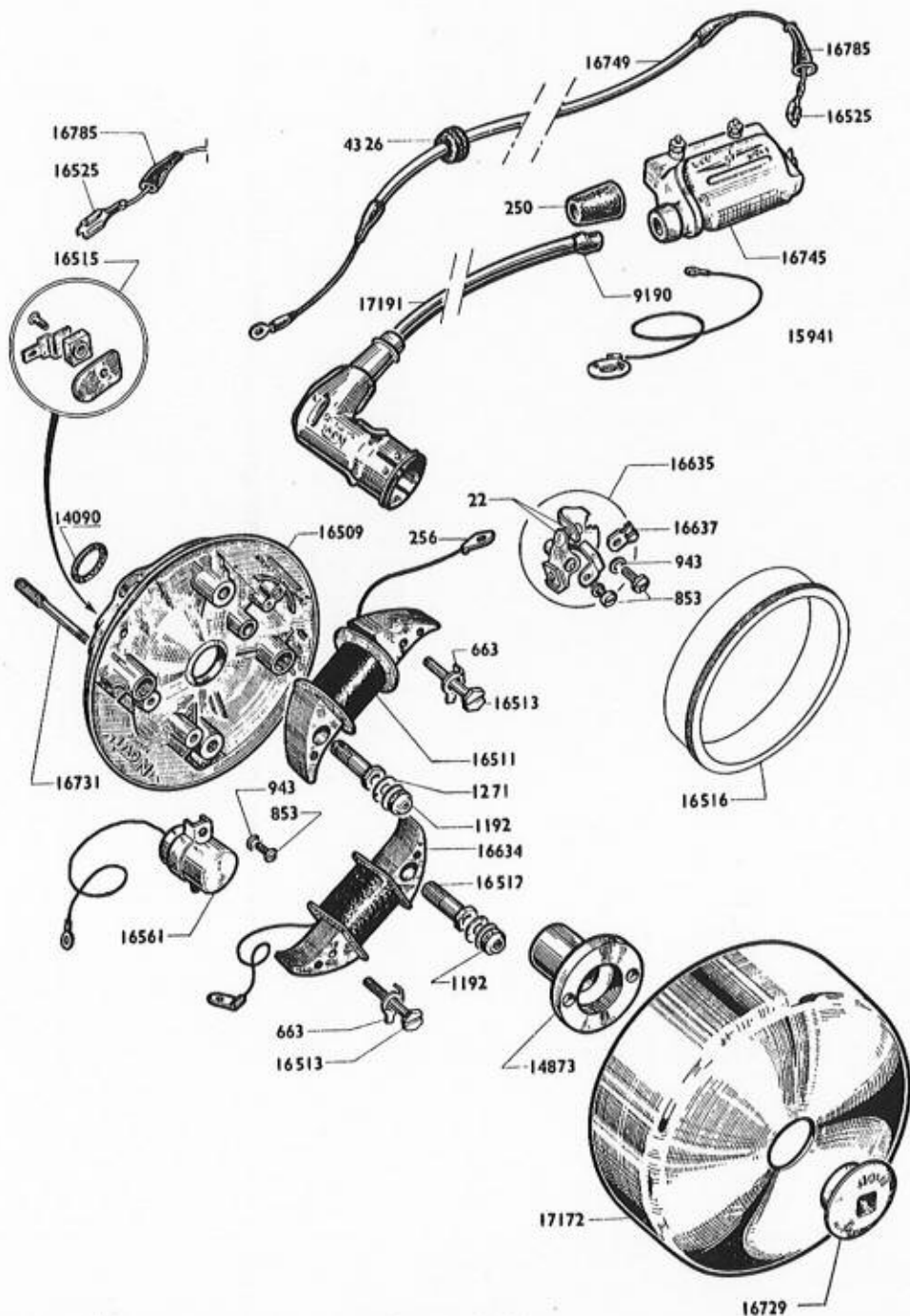


CARBURETTOR H 14 (Adjustment 569)



Carburateur complet 17076

Part N°	Group	Quantity per machine	DESCRIPTION
PETROL TAP			
14837	5	1	Nylon petrol pipe
15497	5	1	Rubber petrol pipe
15514	4	2	Clip of petrol pipe on tap
15550	S.A.	1	Petrol tap with fastening screw and pipe
15551	4	1	Screw with filter holding tap
15552	4	2	Fastening screw gasket
15553	4	1	Tap plastic knob
CARBURETTOR			
137	3	1	Fan washer $\varnothing 8 \frac{m}{m}$
188	6	1	Chamber cover screw $\varnothing 4 \frac{m}{m}$
189	6	1	Tensioner screw (on chamber cover) $\varnothing 6 \frac{m}{m} \times 76$
190	3	1	Fan washer $\varnothing 4 \frac{m}{m}$
191	6	2	Bowl cover screw $\varnothing 5 \frac{m}{m}$
198	3	1	Nut $\varnothing 8 \frac{m}{m} \times 100$ secur. decant. filter on chamber cover
199	3	1	Throttle guide screw
204	3	1	Idle screw spring
874	6	2	Fan washer $\varnothing 5 \frac{m}{m}$
890	3	1	Carburettor clip screw
1025	3	1	Jet size 25
1127	3	1	Idle stop screw
1284	3	1	Carburettor clip
8877	3	1	Reduction fiber bush
14120	3	1	Choke valve spring
17076	S.A.	3	Carburettor complete clip type (adjustment 569) ..
17081	3	1	Carburettor body (float chamber)
17082	3	1	Float chamber cover
17083	3	1	Throttle
17084	3	1	Throttle spring
17085	3	1	Float
17086	3	1	Float needle
17087	3	1	Needle pin
17088	3	1	Bowl cover
17090	3	1	Union screw
17091	3	1	Petrol filter
17092	3	1	Needle seat
17093	3	1	Union screw cap
17094	6	1	Cap upper fiber washer
17095	S.A.	3	Air intake silencer complete
17096	3	1	Air filter cartridge with wire mesh
17097	3	1	Clip with air intake silencer bolt
17098	3	1	Nylon cap for air intake silencer
17099	3	1	Silencer clip bolt
17147	3	1	Choke valve
17415	3	1	Cover gasket
17416	3	1	Disk of steel for cover gasket



FLYWHEEL MAGNETO

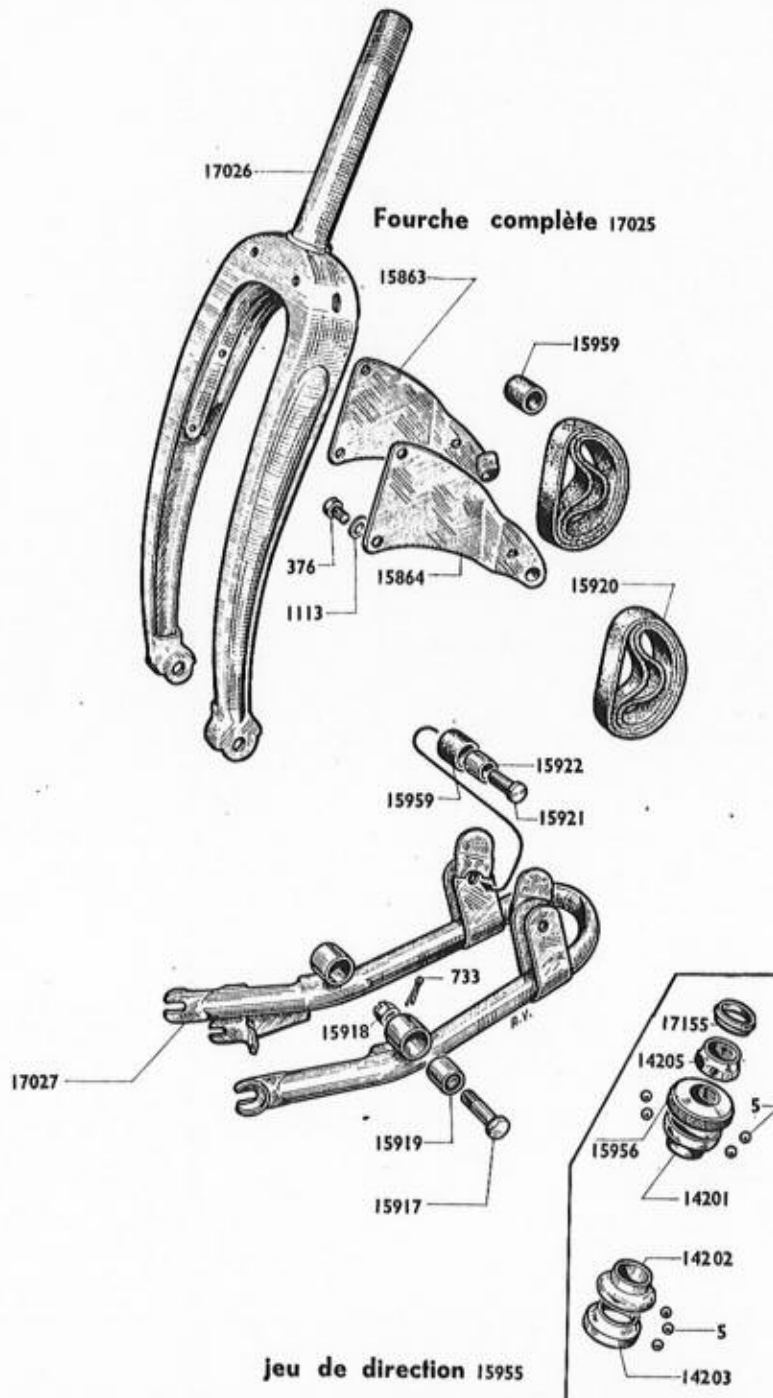
TYPE 120 X WITH OUTER COIL

Part N°	Group	Quantity per machine	DESCRIPTION
22	6	2	Tungsten contact point to be rivetted
250	6	1	Wire socket cap
256	6	3	Coil shell
663	6	2	Locking tab of coil securing screw
853	3	4	Screw fixing condenser & breaker $4\frac{7}{8} \times 75 \times 10\frac{7}{8}$ long.
943	6	3	Grower washer $\varnothing 4\frac{7}{8}$
1192	6	2	NYLSTOP nut $\varnothing 5\frac{7}{8} \times 75$
1271	6	4	Belleville washer $\varnothing 5\frac{7}{8}$
4326	5	1	Rubber ring for wire
9190	3	1	H.T. lead rubber tip
14090	6	1	Flywheel leakproof washer
14873	3	1	Cam
15941	3	1	Complete wiring for earth putting
16509	3	1	Flywheel stator stripped
16511	3	1	Lighting coil
16512	3	2	Hollow screw $\varnothing 7,5\frac{7}{8} \times 100 \times 24\frac{7}{8}$ long securing the coil
16513	3	2	Screw $\varnothing 4 \times 75 \times 23$ securing the coil
16515	3	1	Lighting terminal complete
16516	3	1	Centring ring for coils (SEE NOTE)
16525	6	1	Shell for lighting terminal
16561	3	1	Condenser
16632	1	S.A.	Flywheel magneto complete 120 X
16633	1	S.A.	Stator complete
16634	3	1	Feeding coil
16635	3	1	Breaker complete
16637	3	1	Adjusting lever
16729	3	1	Flywheel lock nut
16731	6	2	Stator securing stud
16745	3	1	Outer ignition coil complete
16749	3	1	Connecting wire breaker/coil
16785	3	2	Rubber tip
17172	3	1	Rotor thickness complete = 43%
17191			Radio-suppressor with lead

NOTE. - CENTRING RING N° 16.516 Special tool indispensable for centring the coils when remounting the latter.

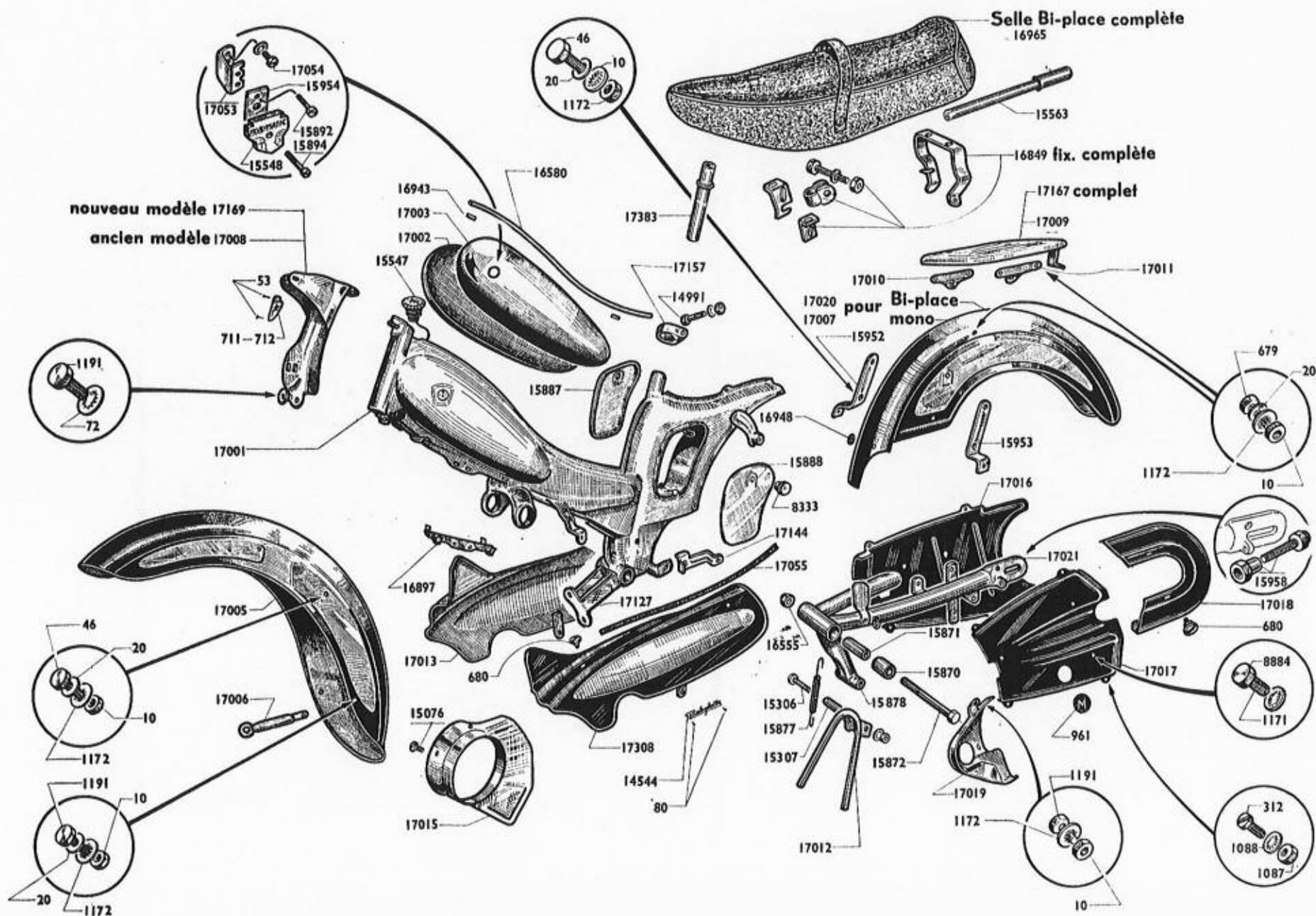
S.A. = Sub-assembly (not illustrated).

FRONT FORK - HEAD RACES



Part N°	Group	Quantity per machine	DESCRIPTION
FRONT FORK			
376	5	4	Bolts securing upper lugs to fork $\varnothing 7/100 \times 13 \frac{m}{m}$..
733	5	2	Split pin
1113	5	4	Nomel washer $\varnothing 7$
15863	4	1	Upper lug holding Neiman rubber band (RH) ...
15864	4	1	Upper lug holding Neiman rubber band (L.H.) ...
15917	4	2	Bridge axle bolt with nut $\varnothing 10/125 \times 38 \frac{m}{m}$
15918	4	2	Nut for axle bolt $10/125 \times 14 \frac{m}{m} \times 8 \frac{m}{m}$
15919	4	2	Flexibloc $10 \times 22 \times 20 \times 23 \frac{m}{m}$
15920	4	2	Neiman rubber band
15921	5	2	Hollow rivet $\varnothing 8 \times 28 \frac{m}{m}$
15922	4	2	Fort bridge link distance piece
15959	4	4	Rubber bush for Neiman band
17025	1	S.A.	Front fork complete
17026	1	1	Front fork stripped
17027	1	1	Front fork bridge complete
STEERING HEAD RACES			
5	5	48	Balls of $3,96 \frac{m}{m}$ ($5/32''$)
14201	4	1	Top cone
14202	4	1	Bottom cup
14203	4	1	Bottom cone
14205	4	1	Lock nut
15955	4	S.A.	Steering head races complete
15956	4	1	Top cup
17155	6	1	Guard of lock nut

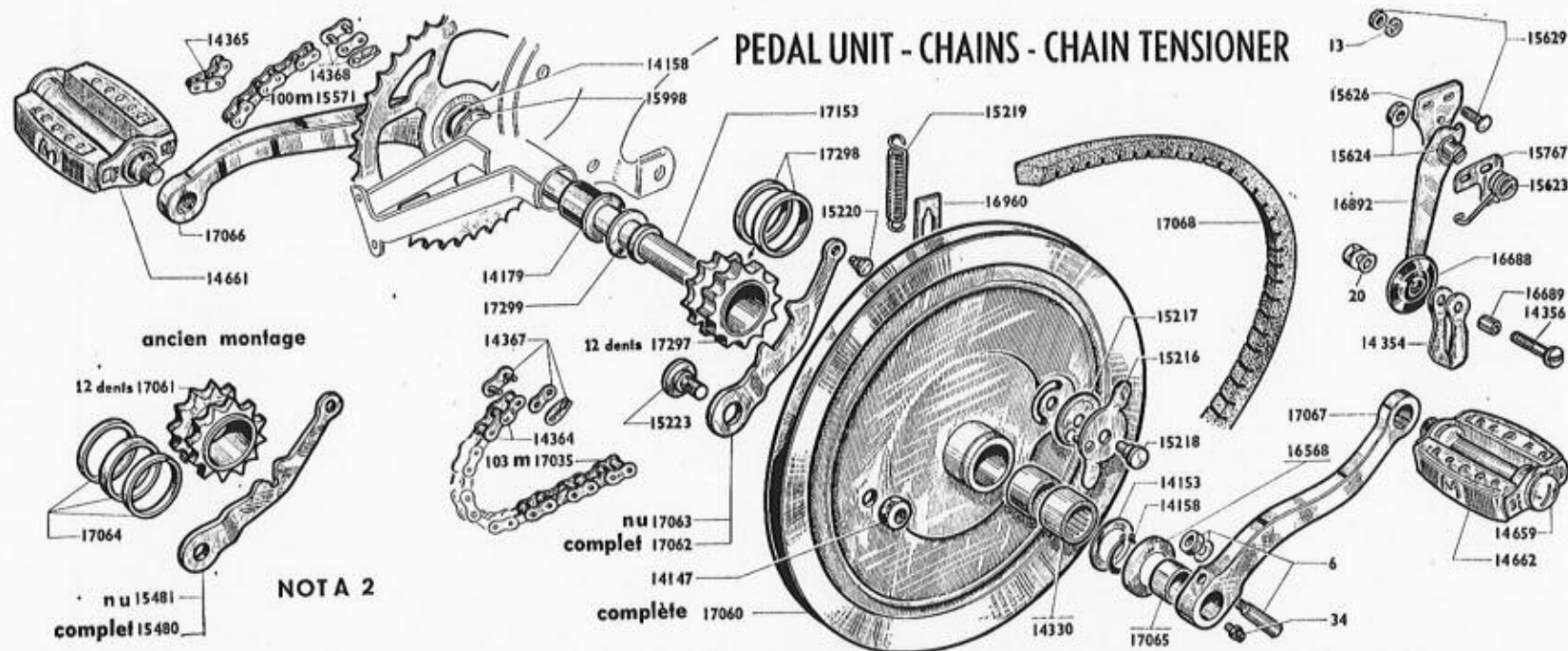
MOBYLETTE Type AV 89 or AU 89



MOBYLETTE Type AV 89 or AU 89

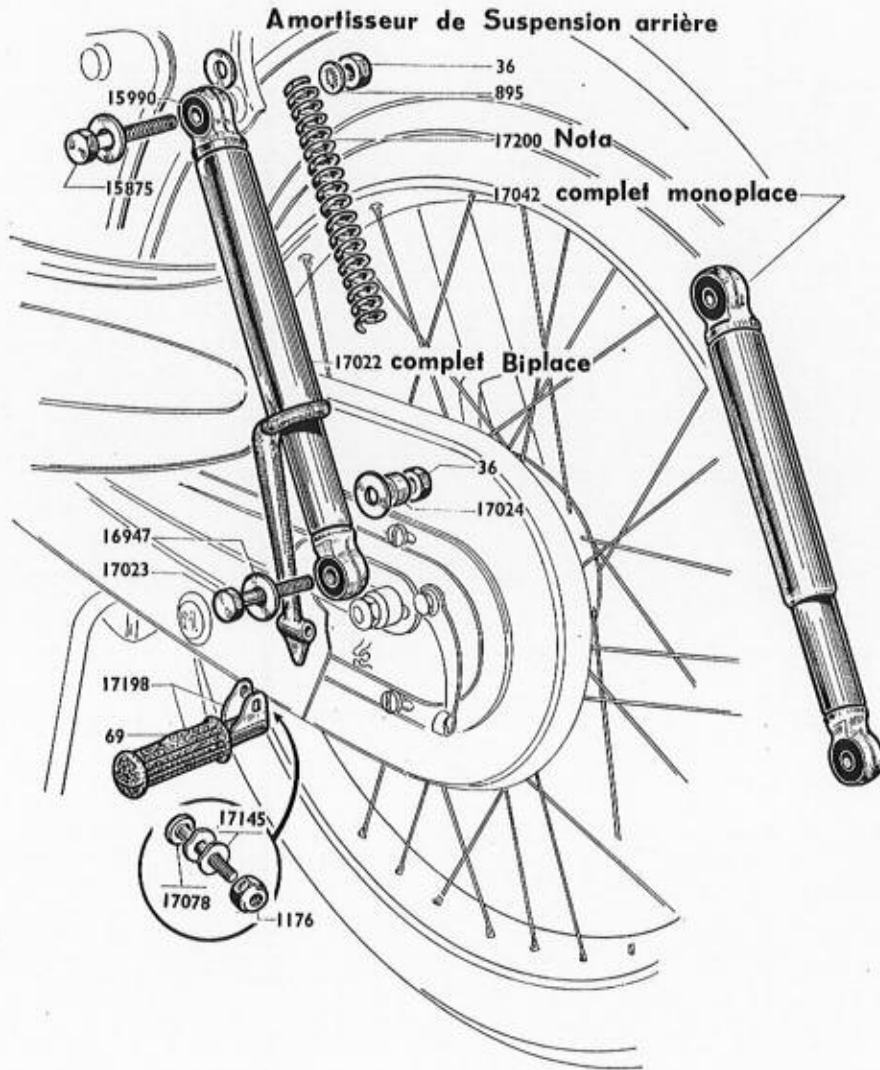
FRAME - MUDGUARDS - CHAINGUARDS - LUGGAGE CARRIER - PROPSTAND - FRONT HOOD
 REAR SWINGING ARM - CYCLE BOLT ATTACHMENT

Part N°	Group	Quantity per machine	DESCRIPTION		Part N°	Group	Quantity per machine	DESCRIPTION
FRAME FORMING TANK					15953	1	1	Upper lug for L.H. chainguard
53	5	2	Grooved nail		17013	1	1	R.H. chainguard
711	5	1	MB nameplate		17015	1	1	"DIMOBY" clutch shield
712	5	1	MC nameplate		17016	1	1	Inside chainguard
8333	4	4	Silentbloc with distance piece		17017	1	1	Outside chainguard
15547	4	1	Tank plug with dip line		17018	1	1	Lid of the motor chainguard
15548	5	2	"MOBYMATIC" tank badge		17019	1	1	Dimoby clutch shield
15563	4	1	Inflator 250 ^{mm} / _m long		17055	6	2	Chainguard beading L = 520 ^{mm} / _m
15887	1	1	R.H. tool box lid		17144	5	1	Lower lug for L.H. chainguard
15888	1	1	L.H. tool box lid		17308	1	1	L.H. chainguard
15892	5	2	Screw for locating plate (fixing embellisher)					LUGGAGE CARRIER
15894	5	2	Screw securing the badge					for AV 89 or AU 89 one seat
15954	5	2	Locating plate (for tank embellisher)		17009	1	1	Luggage carrier plate
16580	2	1	Tank beading with screws L = 545 ^{mm} / _m		17010	1	1	Luggage carrier R.H. stay
16897	1	1	Clip for tank beading		17011	1	1	Luggage carrier L.H. stay
16943	2	2	Clamp the tank beading		17167	1	S.A.	Luggage carrier complete
17001	1	1	Frame tank					REAR SWINGING ARM
17002	1	1	R.H. tank embellisher					
17003	1	1	L.H. tank embellisher		15870	4	2	Silentbloc for rear swinging arm
17008	1	1	Front hood		15871	4	1	Silentbloc distance piece
17053	4	2	Locating plate for tank embellisher on frame		15872	4	1	Articulation axle
17054	6	4	Plate securing screw Ø 3×60 L = 6 ^{mm} / _m		15958	5	2	Rear wheel adjuster 5/90×30
17157	5	1	Saddle tube clip		16555	4	1	"NYLSTOP" nut Ø 10×100 (articulation axle)
17169	6	1	Front hood		17021	1	1	Rear swinging arm
PROPSTAND								
15306	5	1	Propstand axle bolt with nut		14991	5	1	Bolt securing the saddle tube clip 8×100×46
15307	5	1	Propstand axle bolt distance piece		16849	1	S.A.	Fastening complete for dual seat
15877	5	1	Propstand spring		16965	1	S.A.	Dual seat complete
15878	1	1	Propstand support (to be welded)		17157	5	1	Saddle tube clip
17012	1	1	Propstand		17383	5	1	Saddle tube
MUDGUARDS								CYCLE BOLT ATTACHMENT
16948	6	1	Rubber ring for wiring on rear mudguard		10	6	20	Nut 6×100
17004	1	S.A.	Front mudguard complete		20	6	10	Flat washer Ø 6 ^{mm} / _m
17005	1	1	Front mudguard stripped		46	6	4	Bolt 6×100×11
17006	1	2	Front mudguard stay		137	6	1	"BLOCFOR" washer Ø 8
17007	1	1	Rear mudguard for luggage carrier		312	5	4	Screw of 4×75×6 for fastening the chainguard ..
17020	1	1	Rear mudguard for dual seat		679	6	10	Bolt 6×100×16
CHAINGUARDS					1087	6	4	Nut Ø 4×75
80	5	4	Rivet for "MOBYLETTE" badge on chainguard ..		1088	6	4	"NOMEL" washer Ø 4
680	4	6	Chainguard screw		1171	6	5	"NOMEL" washer Ø 5
961	5	1	Rubber plug visualysing		1172	6	16	"NOMEL" washer Ø 6
14544	5	2	"MOBYLETTE" badge on chainguards		1191	6	6	Bolt 6×100×8
15076	5	3	Screw securing the "DIMOBY" clutch shield		8884	5	7	Screw of 5×90×8 fastening the engine chainguard
15952	1	1	Upper lug for R.H. chainguard		14067	6	1	Nut 8×100
					14991	6	1	Bolt securing the saddle tube clip 8×100×46



Part N°	Group	Quantity per machine	DESCRIPTION	Part N°	Group	Quantity per machine	DESCRIPTION
PEDAL UNIT							
6	5	2	Bracket cotter pin	17298	S.A.	2	Set of rubber rings (2).....
34	6	1	Nipple	17299	1	1	Bracket thrust washer \varnothing 16,5x25x10/10
14147	2	1	Lever screw nut.....	15480	2	S.A.	Lock lever complete.....
14153	6	1	Outer bracket washer	15481	2	1	Lock lever stripped
14158	6	2	Bracket circlips	17061	2	1	Bracket sprocket 12 teeth bore $29\frac{3}{8}$
14179	5	2	Bracket bush	17064	6	1	Set of rubber rings (for 12 teeth sprocket)
14330	5	2	Needle cartridge (Length $12\frac{3}{8}$).....	CHAIN TENSIONER (RILSAN)			
14659	4	2	Pedal cap.....	13	6	2	Grower washer \varnothing $5\frac{3}{8}$
14661	4	1	R.H. pedal	20	6	1	Flat washer \varnothing $6\frac{3}{8}$
14662	4	1	L.H. pedal	14354	5	1	Roller bridge
14744	4	S.A.	Pair of pedals	14356	2	1	Roller axle with nut
15216	2	1	Lock button	15623	4	1	Chain tensioner spring
15217	2	1	Button friction washer.....	15624	4	1	Tensioner axle with nut.....
15218	2	1	Button axle.....	15626	4	1	Chain tensioner support
15219	6	1	Lock lever spring	15629	5	2	Bolt securing chain tensioner
15220	2	1	Lever spring axle	15767	5	1	Tensioner spring stop lug
15223	2	1	Axle with lock lever nut	16688	2	1	Chain tensioner roller complete
15998	6	1	Bracket thrust washer 16,5x25x10/10	16689	2	1	Roller distance piece \varnothing $8\frac{3}{8}$ - L. 10,5.....
16568	6	1	Bracket oil deflector	16891	4	S.A.	Chain tensioner complete
16960	6	1	Limiting of stroke	16892	4	1	Chain tensioner lever stripped
17060	2	S.A.	Bracket pulley compl. with sprocket needle cartridge	CHAINS (SEE NOTE)			
17062	6	S.A.	Lock lever complete	14364	4	1	Cranked link for transmission chain Yellow
17063	2	1	Lock lever stripped	14365	4	1	Cranked link for pedal chain
17065	6	1	L.H. crank distance piece, $10\frac{3}{8}$ thick.....	14367	4	1	Spring link for transmission chain Yellow
17066	6	1	R.H. crank arm with sprocket set in, 32 teeth	14368	4	1	Spring link for pedal chain
17067	4	1	L.H. crank arm.....	14565	4	1	Cranked link for engine transmission chain Brampton
17068	6	1	Notched belt 18x8	14875	4	1	Spring link for engine transmission chain Brampton
17153	4	1	Bracket axle	15571	1	1	Pedal unit transmission chain (100 links).....
17297	1	1	Bracket sprocket not reversible 12 teeth inner \varnothing 29	17035	1	1	Engine transmission chain (103 links)

REAR SUSPENSION SHOCK ABSORBERS

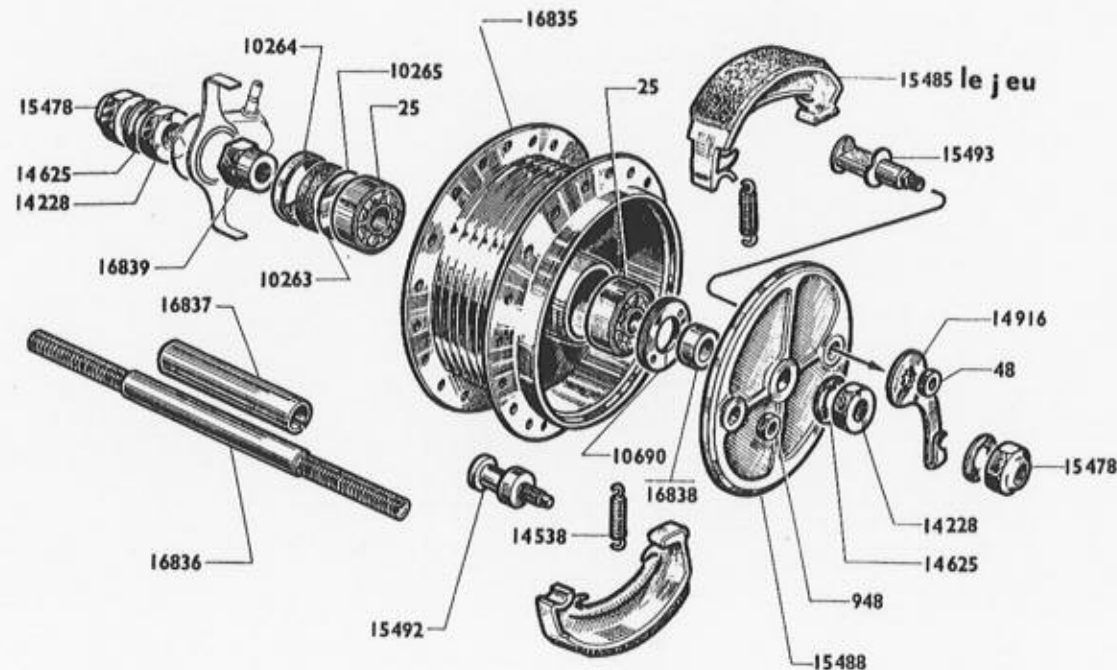


Part N°	Group	Quantity per machine	DESCRIPTION
REAR SUSPENSION SHOCK ABSORBERS			
36	5	4	Nut \varnothing 8/100.....
69	2	2	Elastic runner resting place
895	3	2	BLOCFOR washer \varnothing 8.....
1176	6	2	NYLSTOP nut \varnothing 6
15875	4	2	Shock absorber upper axle with nut \varnothing 8/100 \times 68.
15990	4	4	Silen bloc with distance piece
16947	6	8	Washer 8,5 \times 24 \times 1,5
17022	4	S.A.	Shock absorber complete dual seater type
17023	4	2	Shock absorber lower axle with nut 8 \times 100 \times 39 ...
17024	4	2	Lower axle distance piece
17042	4	S.A.	Shock absorber complete single-seater type
17078	2	2	Footrest axle \varnothing 6 \times 100 \times 30
17145	6	4	ONDUFLEX washer \varnothing 6,4 \times 12 thickness = 8/10...
17198	S.A.		Footrest complete (with runner and axle).....
17200	2	2	Shock absorber spring (twin seater type).....

S.A. = Sub-assembly (not illustrated).

MOBYLETTE Type AV 89 or AU 89

moyeu avant complet 16834



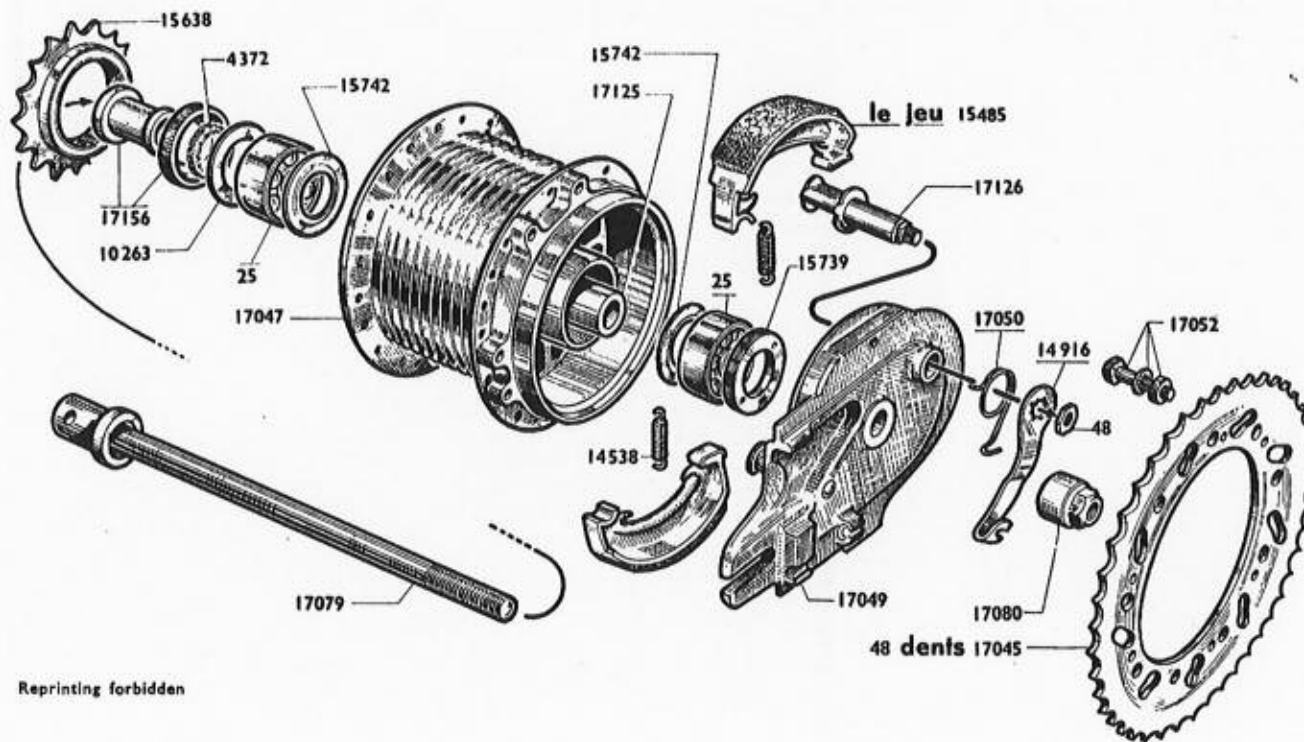
Reprinting forbidden

FRONT WHEEL AND FRONT HUB "PRIOR"

Part N°	Group	Quantity per machine	DESCRIPTION	Part N°	Group	Quantity per machine	DESCRIPTION
WHEEL							
15897	5	1	Inner tube 22,5×2,25	14228	4	2	Distance nut
15904	4	36	Spoke nipple French gauge 17	14538	6	2	Jaw spring
15977	6	36	Spoke French gauge 17×16×17 - 180 ^m / _m long.....	14625	4	2	Flat washer
16841	4	1	Rim tape	14916	4	1	Cam lever
16975	6	1	Rim for tyre 22,5×2,25	15478	4	2	Hub axle nut ø 11
17036	1	S.A.	Front wheel complete	15485	4	1	Pair of jaws ø 100 ^m / _m
17122	1	1	White wall tyre 18×2,25 (super reinforced)	15487	4	S.A.	Jaw flange complete
HUB							
25	5	2	Ball bearing 10×30×9 ^m / _m	15488	4	1	Jaw flange stripped
48	5	1	Cam nut 8×100	15492	4	1	Front brake fixed axle.....
948	5	1	Fixed point nut.....	15493	6	1	Jaw cam with nut
10263	4	2	Washer securing the ball bearing distance piece .	16834	4	S.A.	Front hub complete (ball bearing axle)
10264	4	1	Knurled dust deflector ø 32 ^m / _m	16835	4	1	Front hub body stripped
10265	4	1	Felt	16836	4	1	Hub axle ø 12 thread 11 ^m / _m
10690	4	1	Ball bearing lock nut (L.H. thread).....	16837	4	1	Ball bearing distance piece inner ø 12,5 length = 43 ^m / _m
				16838	4	1	Flange distance piece ø 11×17 - 6 ^m / _m thick.....
				16839	4	1	Hub lock nut thread 11 ^m / _m

MOBYLETTE Type AV 89 or AU 89

moyeu arrière complet 17044



Reprinting forbidden

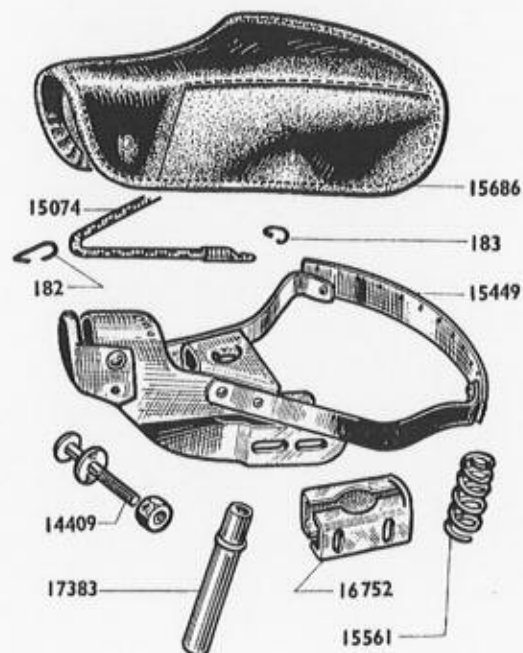
REAR WHEEL AND REAR HUB "PRIOR"

Part N°	Group	Quantity per machine	DESCRIPTION	Part N°	Group	Quantity per machine	DESCRIPTION
WHEEL							
15897	5	1	Inner tube 22,5×2,25	15485	4	1	Pair of jaws
15904	4	36	Spoke nipple, French gauge 17.....	15638	4	1	Free wheel 20 teeth \varnothing 38/100
15977	6	36	Spoke French gauge 17×18 - 180 ^m long.....	15739	4	1	Ball bearing lock nut (RH thread)
16841	4	1	Rim tape	15742	4	2	Washer securing the ball bearing distance piece
16975	6	1	Rim 18×1,42.....	17044	4	S.A.	Rear hub complete with sprocket 48 teeth
17043	1	S.A.	Rear wheel complete with 48 teeth sprocket bolted	17045	5	1	Rear transmission sprocket 48 teeth
17122	1	1	White wall tyre 18×2 (reinforced)	17046	4	S.A.	Rear hub body complete (without transmis. sprocket)
HUB							
25	5	2	Ball bearing 32×12×10	17047	4	1	Rear hub body stripped
48	5	1	Cam nut 8 ^m ×100	17048	4	S.A.	Rear hub flange complete
4372	4	1	Felt	17049	4	1	Rear hub flange stripped
10263	4	1	Washer securing the ball bearing	17050	6	1	Spring of cam lever
14538	6	2	Jaw spring	17052	6	6	Square head bolt secur. the transm. sprocket 6×100×27
14916	4	1	Cam lever	17079	4	1	Rear hub spindle \varnothing 12 L = 170 ^m
				17080	4	1	Spindle nut \varnothing 12.....
				17125	4	1	Bolt bearing distance piece inner \varnothing 12×16 L = 67
				17126	4	1	Cam rear brake.....
				17156	4	1	Knurled dust deflector with ball bearing

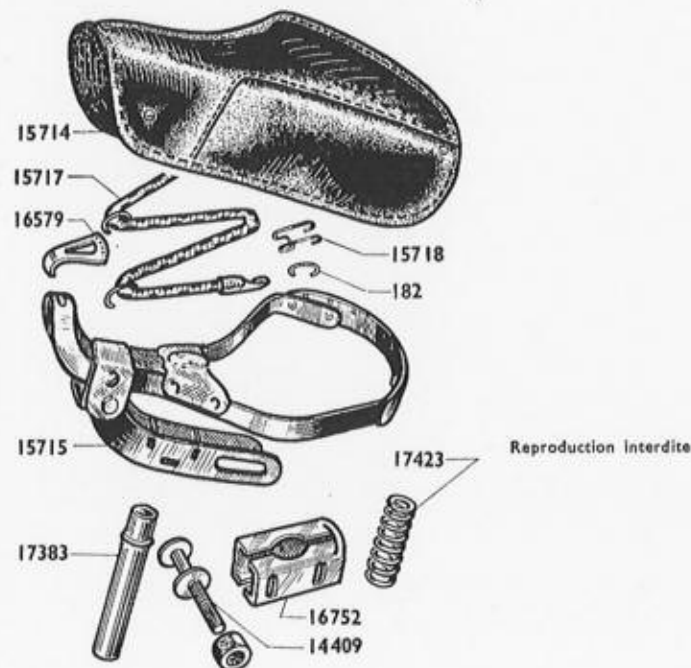
MOBYLETTE

Type AV 89 or AU 89

Selle complète 16798 Reydel



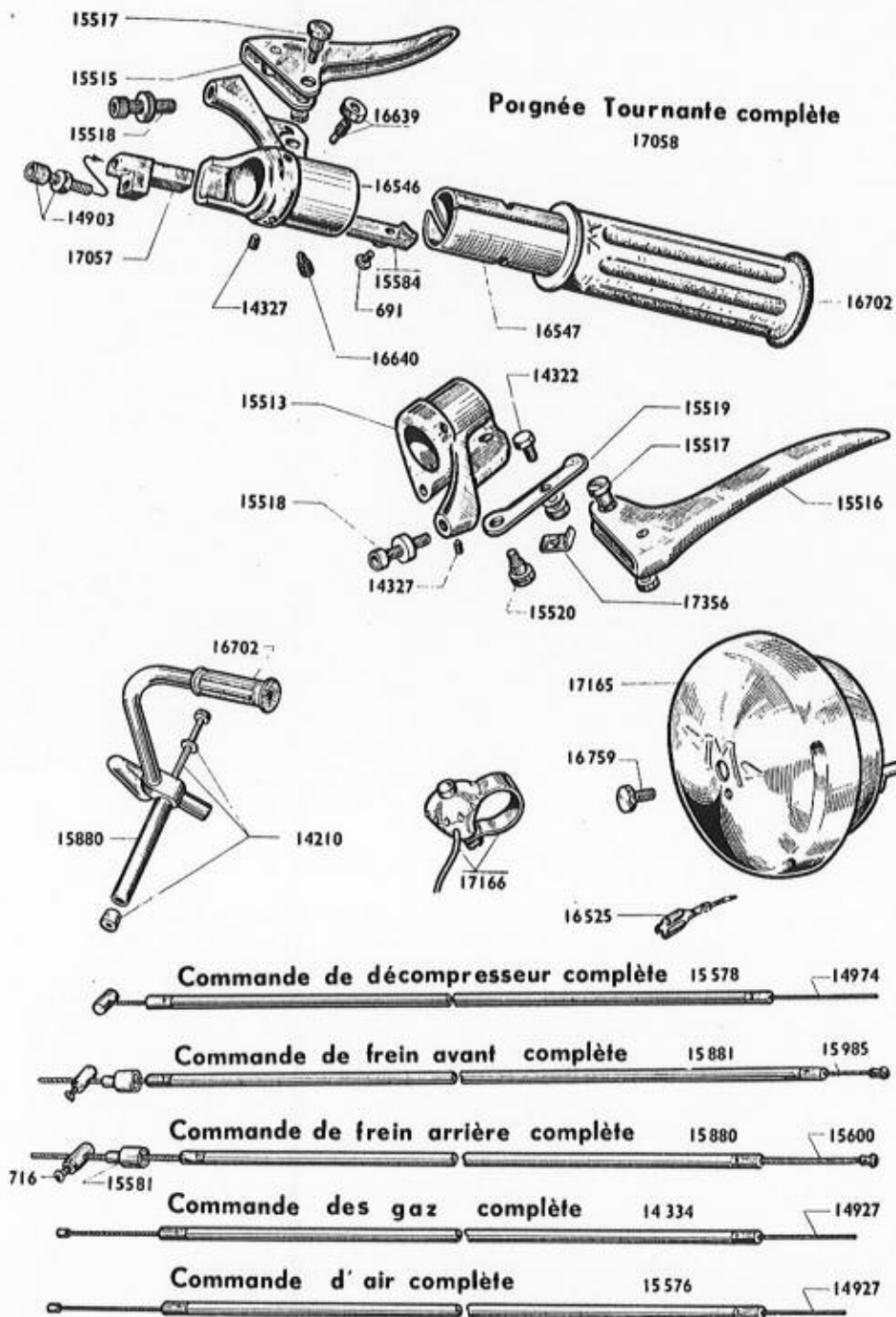
Selle complète 16798 Vidal



SADDLES (Vidal and Reydel)

Part N°	Group	Quantity per machine	DESCRIPTION	Part N°	Group	Quantity per machine	DESCRIPTION
SADDLE REYDEL				SADDLE VIDAL			
182	5	4	Long hook for elastic piece	182	5	6	Long hook of elastic piece
183	5	8	Short hook for elastic piece	14409	5	2	Saddle clip bolt
14409	5	2	Saddle clip bolt	15714	1	1	Saddle cover (grey)
15074	5	1	Set of elastic piece	15715	1	1	Saddle frame
15449	1	1	Saddle frame	15717	5	1	Elastic piece
15561	4	1	Saddle spring	15718	5	4	Rear hook for elastic piece
15686	1	1	Saddle cover (grey)	16579	5	1	Saddle nozzle distance piece
16752	5	1	Saddle clip	16752	5	1	Saddle clip \varnothing 25,8
16798	1	S.A.	Saddle complete Reydel (single spring) ... NOTE	16798	1	S.A.	Saddle complete Vidal (single spring)..... NOTE
17383	5	1	Saddle tube	17383	5	1	Saddle tube
				17423	1	1	Saddle spring \varnothing outer = 32 - Length complete 75 $\frac{m}{m}$

NOTE. - Saddle complete regarding N° 16798, it can be supplied a complete saddle other of Reydel or Vidal manufacture according to our supplies.

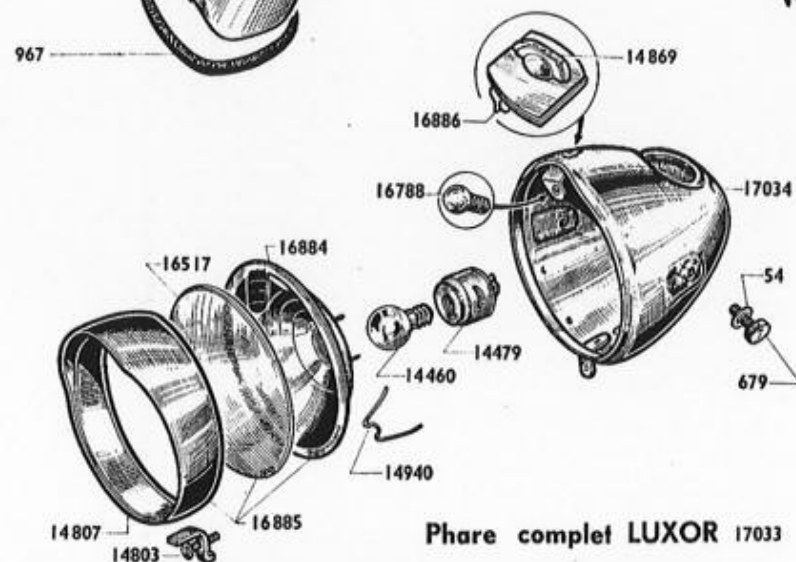
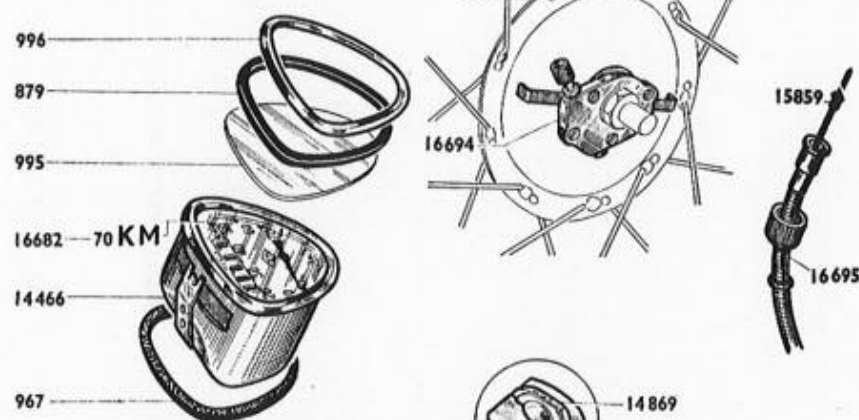


Reprinting forbidden

HANDLEBARS - CONTROLS - ELECTRIC BELL "TIMBRELEC"

Part N°	Group	Quantity per machine	DESCRIPTION
HANDLEBARS and TWIST GRIP			
11	6	3	Nut of 7 ³ / ₁₆ × 100 holding handlebars U clamp
691	6	2	Slide screw ø 4 ¹ / ₁₆ × 75 - 9 ¹ / ₁₆ long
1113	6	2	NOMEL washer ø 7
14210	5	1	Expander bolt with cone
14322	6	1	Choke cable bolt
14327	6	5	Set screw for twist grip body ø 5 ¹ / ₁₆ × 90 - 7 ¹ / ₁₆ long ...
14903	6	1	Decompressor adjuster
15513	4	1	L.H. grip body
15515	4	1	R.H. brake lever
15516	4	1	L.H. brake lever
15517	6	2	Lever axle with nut
15518	6	2	Adjuster nipple for brake lever with nut
15519	6	1	Choke lever
15520	6	1	Choke lever pin
15521	4	S.A.	Complete fastening of handlebars on front fork ...
15522	4	2	U clamp holding handlebars
15523	4	2	U clamp wedge
15584	4	1	Throttle slide
15712	4	S.A.	Choke lever complete
15880	4	1	Handlebars stripped
15991	4	S.A.	L.H. grip body complete with brake and choke levers
16546	4	1	Twist grip body
16547	4	1	Twist grip sleeve
16639	6	1	Securing screw with nut ø 5 ¹ / ₁₆ × 90, 12 ¹ / ₁₆ long ...
16640	6	1	Twist grip set screw ø 6 ¹ / ₁₆ × 100, 11 ¹ / ₁₆ long
16702	4	2	Rubber grip (grey)
17056	4	S.A.	Handlebars complete
17057	4	1	Decompressor slide
17058	4	S.A.	Twist grip complete (grey rubber)
17356	6	1	Protector of choke control
CONTROLS			
716	6	2	Front and rear brake cable clamp
14334	4	1	Throttle control complete
14762	5	3	Plastic outer casing
14927	6	1	Throttle cable
14927	6	1	Choke cable
14974	6	1	Decompressor cable
15576	4	1	Choke control complete
15578	4	1	Decompressor control complete
15581	6	2	Front brake control complete
15600	6	1	Rear brake cable
15880	4	1	Rear brake control complete
15881	4	1	Front brake control complete
15985	6	1	Front brake cable
ELECTRIC BELL "TIMBRELEC"			
16759	3	1	Bell screw ø 6 × 90 L = 7 ¹ / ₁₆
16525	6	2	Shell for Timbrelec
17164	6	S.A.	Timbrelec complete with 2 wire and switch
17165	3	1	Timbrelec without wire
17166	3	1	Together 2 wire and switch

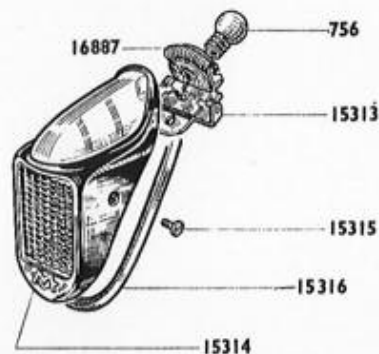
Compléur complet E D 15856



Phare complet LUXOR 17033

Eclairage arrière MANDUCHER

15312

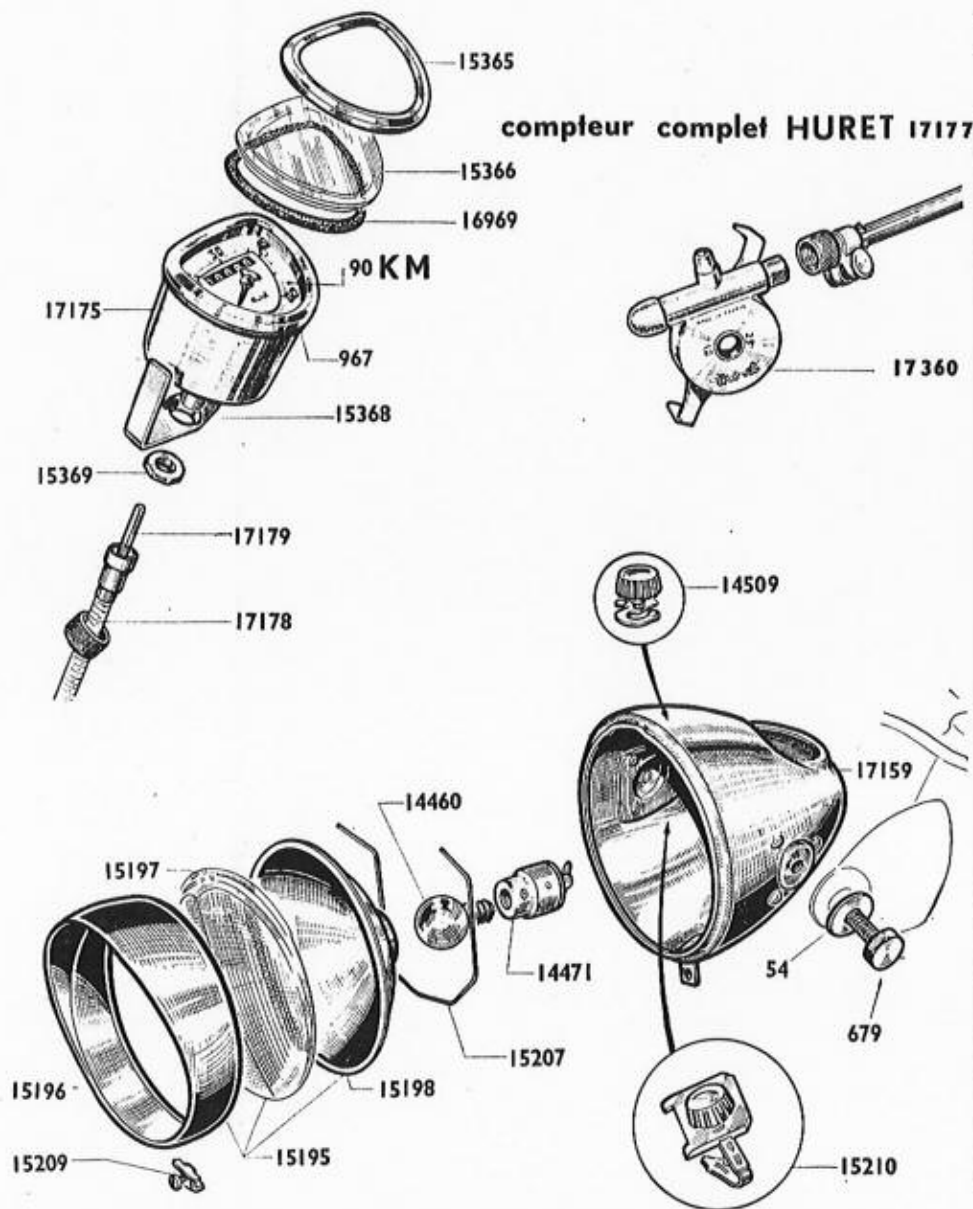


LIGHTING AND SPEEDOMETER E.D. (70 KM)

Part N°	Group	Quantity per machine	DESCRIPTION
"LUXOR" HEADLAMP			
54	3	2	Washer for the side securing screw
679	3	2	Side securing screw of the headlamp
14460	3	1	Yellow headlamp bulb 6 V. 1 Amp.
14464	3	1	Electrical wiring (3 cables)
14479	3	1	Bulb holder
14803	3	1	Clip holding headlamp rim with screw
14807	3	1	Visored headlamp rim
14869	3	1	Switch button
14940	3	3	Spring holding reflector
16517	3	1	Headlamp glass
16788	3	1	Spare bulb 12 V. 0,35 Amp.
16884	3	1	Headlamp reflector
16885	3	S.A.	Optical assembly
16886	3	S.A.	Switch complete
17033	3	S.A.	Complete headlamp for triangular speedometer ..
17034	3	1	Headlamp shell for triangular speedometer
"MANDUCHER" TAIL LIGHT			
756	3	1	Tail light bulb 12 V. 05 Amp.
853	6	1	Screw fixing socle tail light 4×75×10.....
1087	6	1	Nut 4×75 fixing tail light
15312	3	S.A.	Tail light complete
15313	3	1	Tail light support
15314	3	1	Tail light cover
15315	3	2	Cover screw \varnothing 3×60 L = 8 $\frac{3}{4}$ mm
15725	3	1	Rubber gasket
16887	3	1	Tail light spring
14464	3	1	Electrical wiring
SPEEDOMETER			
879	4	1	Glass gasket of triangular speedometer
967	4	1	Speedometer gasket
995	4	1	Triangular speedometer glass
996	4	1	Speedometer rim
14466	4	1	Triangular speedometer stripped without cable ..
15856	5	S.A.	Triangular speedometer complete with cable
15859	5	1	Speedometer cable stripped
16682	4	1	Triangular speedometer dial 70 km
16694	5	1	Front wheel drive
16695	5	1	Speedometer cable complete

S.A. = Sub-assembly (not illustrated).

LIGHTING "SOUBITEZ" - SPEEDOMETER "HURET" (90 km)

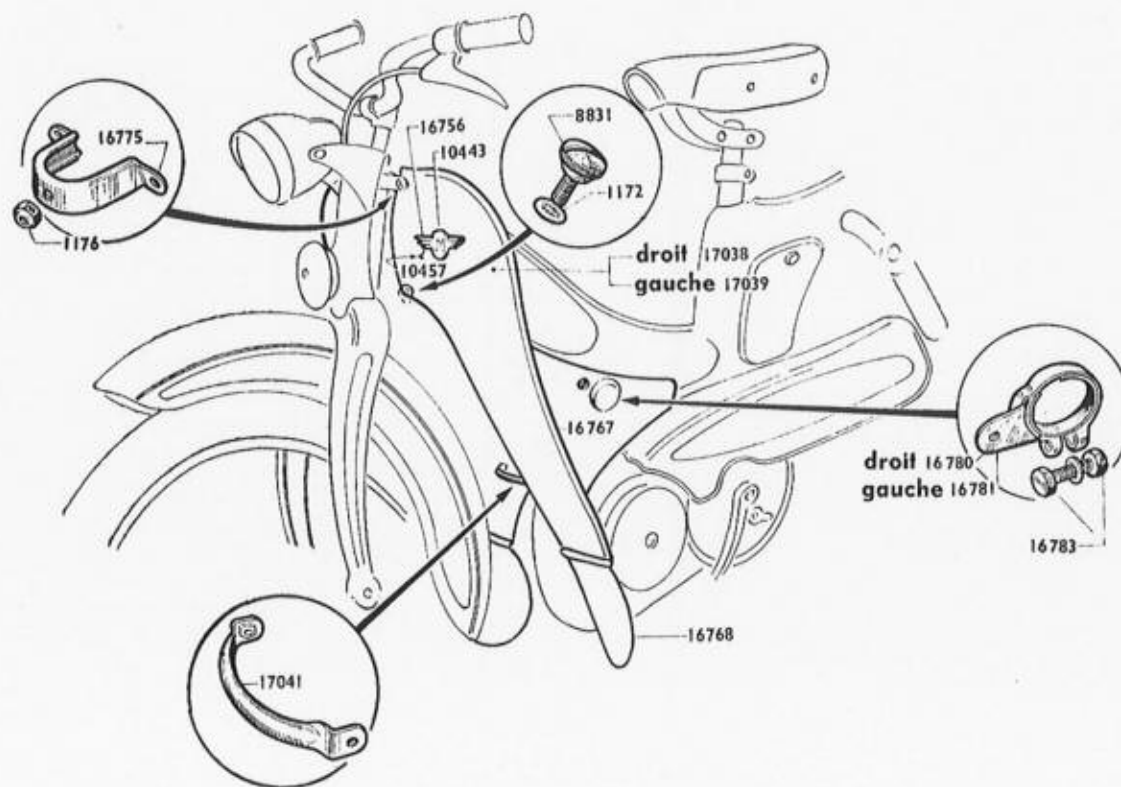


Part N°	Group	Quantity per machine	DESCRIPTION
"SOUBITEZ" HEADLAMP			
54	6	2	Washer for the side securing screw
679	6	2	Side securing screw of the headlamp $\varnothing 6 \times 100 L = 18$.
14460	3	1	Yellow headlamp bulb 6 V. Amp.
14464	3	1	Electric wiring
14471	3	1	Bulb holder
14509	3	1	Switch button
15195	3	S.A.	Optical assembly
15196	3	1	Chromium plated visored headlamp rim
15197	3	1	Headlamp glass
15198	3	1	Headlamp reflector
15207	6	1	Spring holding the reflector
15209	3	1	Clip securing the headlight rim with screw
15210	3	S.A.	Switch complete
17158	3	S.A.	Visored headlamp for triangular speedometer
17159	3	1	Headlamp shell for triangular speedometer
"MANDUCHER" TAIL LIGHT			
756	3	1	Tail light bulb 12 V. 0,5 Amp.
853	6	1	Screw fixing socle tail light $4 \times 75 \times 10$
1087	6	1	Nut 4×75 fixing tail light
15312	3	S.A.	Tail light complete
15313	3	1	Tail light support
15314	3	1	Tail light cover
15315	3	2	Cover screw $\varnothing 3 \times 60 L = 8 \frac{5}{8}$
15725	3	1	Rubber gasket
16887	3	1	Tail light spring
14464	3	1	Electrical wiring
"HURET" SPEEDOMETER			
967	4	1	Speedometer gasket
15365	4	1	Speedometer rim
15366	4	1	Speedometer glass
15368	4	1	Securing lug
15369	4	1	Securing lug nut
16969	4	1	Speedometer glass gasket
17175	4	1	Speedometer stripped, without cable
17177	4	S.A.	Speedometer complete with cable
17178	5	1	Speedometer control complete
17179	5	1	Speedometer cable stripped
17360	4	1	Front wheel drive
			Speedometer dial 90 kms (sub-assembly)

S.A. = Sub-assembly (not illustrated).

Phare SOUBITEZ complet 17158

MOBYLETTE Type AV 89 or AU 89

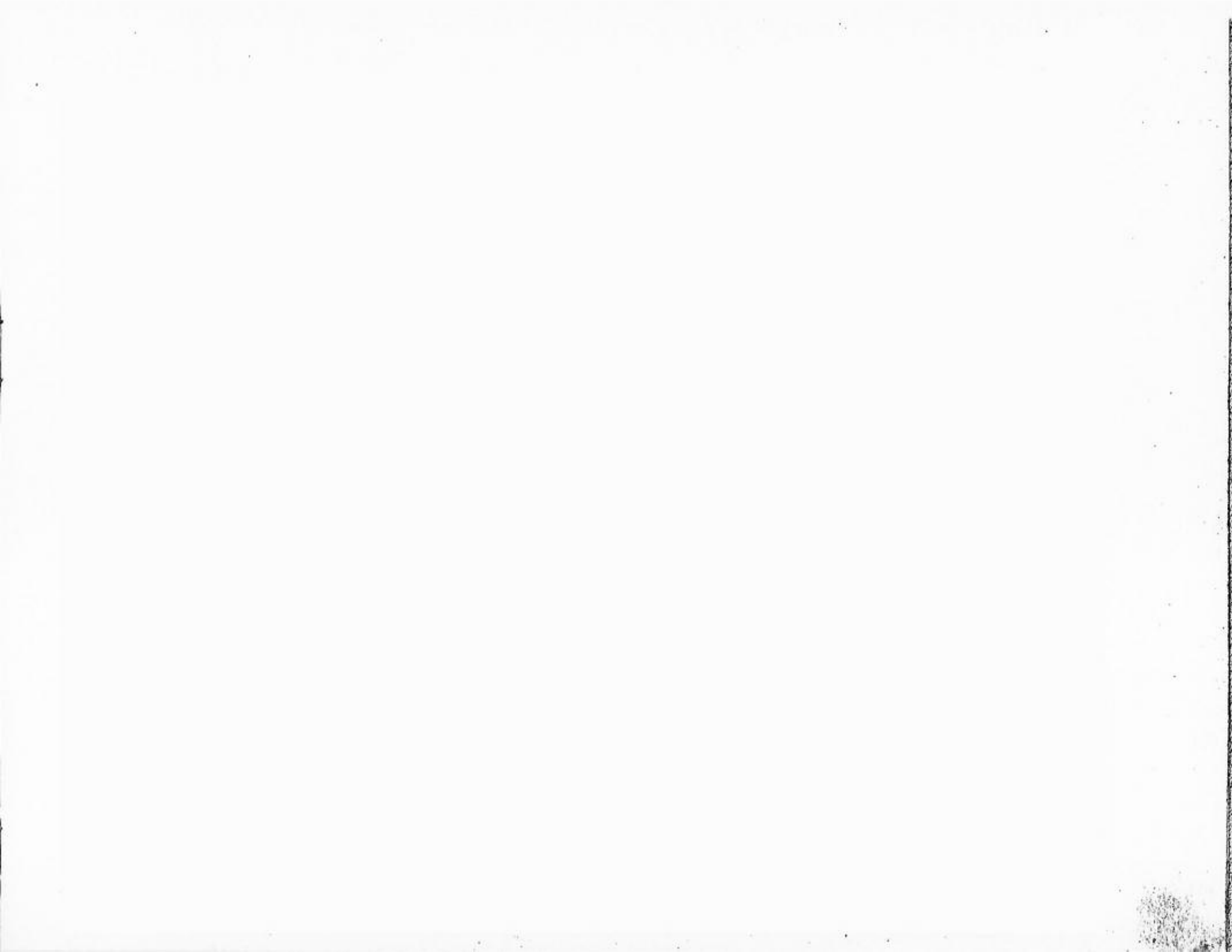


Reprinting forbidden

LEGSHIELD AND FIXATION

Parts N°	Group	Quantity per machine	DESCRIPTION	Part N°	Group	Quantity per machine	DESCRIPTION
1172	6	8	NOMEL washer Ø 6.....	16780	1	1	Removable clip RH side
1176	6	1	NYLSTOP nut Ø 6	16781	1	1	Removable clip LH side
8831	6	8	Knurled screw securing legshield 6×100.....	16783	1	2	Tongued bolt 6×100×32
10443	5	1	Transfer under badge	16943	6		Clamp for legshield beading
10457	5	2	Badge rivet	17037	6	S.A.	Legshield assembly (without attachments)
16756	4	1	Badge (left side)	17038	6	1	Legshield RH side
16767	6	S.A.	Set of legshield beadings (with clamps)	17039	6	1	Legshield LH side
16768	4	S.A.	Set of legshield flaps (with rivets).....	17040	6	S.A.	Legshield attachment complete
16775	1	1	Legshield upper attachment clip	17041	2	1	Legshield assembling stay

Reprinting forbidden



10 MORE MODELS OF MOBYLETTES AVAILABLE

More than

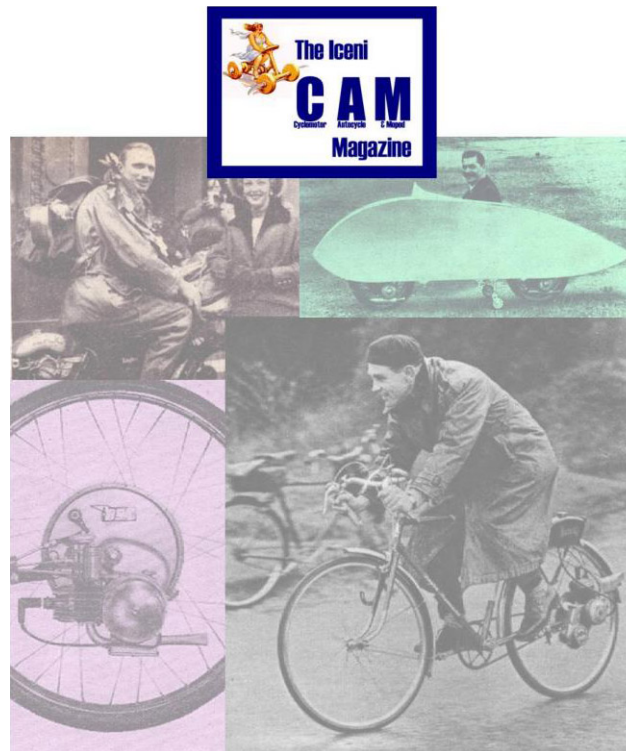
3.500.000 "*Mobylette*"

in the World

World's biggest production!

MOTOBECANE Produced by MOTOBECANE-MOTOCONFORT, 16, Rue Lesault, PANTIN (Seine) FRANCE - P.O. Box 59 **MOTOCONFORT**

IceniCAM On-Line Library



www.icenicam.org.uk