

Mobylette

MOTOBÉCANE



MOTOCONFORT



SPARE PARTS CATALOGUE



Typ AV or AU 46
with automatic clutch DIMOBY

Typ AV or AU 49
with automatic clutch DIMOBY
and automatic gear change MOBYMATIC



Mobylette

SUMMARY

Types AV or AU 49 - 46

DESCRIPTION	SHEET	DESCRIPTION	SHEET
Engine - Attachment - Exhaust	2 A	Frame - Mudguard - Luggage carrier - Centre stand - Chainguard - Cycle bolt attachment	11 A
Marking Piston - Cylinder	3 A	Front wheel and Hub LELEU \varnothing 80 $\frac{mm}{mm}$	12 A
Automatic variable pulley "MOBYMATIC" ..	4 A	Rear wheel and Hub LELEU \varnothing 80 $\frac{mm}{mm}$	13 A
Automatic clutch "DIMOBY"	5 A	Front wheel and Hub PRIOR \varnothing 80 $\frac{mm}{mm}$	14 A
Flywheel magneto 8 w. with outer coil	6 A	Rear wheel and Hub PRIOR \varnothing 80 $\frac{mm}{mm}$	15 A
Carburettor typ AR 2-12, adj. 705	7 A	Saddle	16 A
Fork - Steering Head Races	8 A	Handlebars - Controls	17 A
Pedal unit - Chains - Chain tensioner (AV or AU 46)	9 A	Headlamp - Tail lamp	18 A
Pedal unit - Chains - Chain tensioner (AV or AU 49)	10 A	Paints for retouch	19 A

ENGINE - ENGINE ATTACHMENT - EXHAUST

Part N°	Quantity per machine	DESCRIPTION	Part N°	Quantity per machine	DESCRIPTION
ENGINE - ENGINE ATTACHMENT					
10	3	Nut $\varnothing 6\frac{m}{m} \times 100$ (Cond.)	16620	1	Inlet pipe gasket (Cond.)
11	6	Nut $\varnothing 7\frac{m}{m} \times 100$ (Cond.)	16624	1	Big end roller cage
15	6	Grower washer $\varnothing 7\frac{m}{m}$ (Cond.)	16906	2	Crankshaft bearing $16\frac{m}{m} \times 42\frac{m}{m} \times 13\frac{m}{m}$
18	1	Decompressor split pin	16910	1	Crankcase gasket (Cond.)
20	2	Flat washer $\varnothing 6\frac{m}{m}$ (Cond.)	16912	S.A.	Set of engine gasket
50	1	Axle bolt, silentbloc $\varnothing 6\frac{m}{m} \times 100 \times 32\frac{m}{m}$ (Cond.)	16967		Cylinder aluminium wedge $2/10\frac{m}{m}$ (Cond.)
59	1	Spark plug gasket (Cond.)	16968		Cylinder aluminium wedge $4/10\frac{m}{m}$ (Cond.)
137	1	Blocfor washer $\varnothing 8\frac{m}{m}$ (Cond.)	16985	1	Upper rubber bush $8\frac{m}{m} \times 32\frac{m}{m} \times 23,2\frac{m}{m} \times 18\frac{m}{m}$ (L.H.)
172	1	Spark plug with gasket $\varnothing 14\frac{m}{m}$	16998	1	L.H. distance piece upper articulation $\varnothing 8 \times 12 \times 4\frac{m}{m}$
366	3	Bolt $\varnothing 7\frac{m}{m} \times 100 \times 47\frac{m}{m}$	17120	1	Tensioner spring stop lug
606	2	Bolt $\varnothing 7\frac{m}{m} \times 100 \times 35\frac{m}{m}$	17138	1	R.H. distance piece upper articulation $\varnothing 8\frac{m}{m} \times 12\frac{m}{m} \times 22\frac{m}{m}$
658	2	Gudgeon pin circlips (Cond.)	17354	1	Double lug, holding pulley guard (AV or AU 49)...
796	2	Inlet pipe stud (Cond.)	17661	1	Upper lug crankcase (AV or AU 49)
968	2	Bolt securing the springs $6\frac{m}{m} \times 100\frac{m}{m} \times 20\frac{m}{m}$ (Cond.)	17994	1	Upper rubber bush $8\frac{m}{m} \times 32\frac{m}{m} \times 23,2\frac{m}{m} \times 18\frac{m}{m}$ (R.H.)
1113	7	Nomel washer $\varnothing 7\frac{m}{m}$ (Cond.)	18568	S.A.	Set of bolts, crankcase
1172	3	Nomel washer $\varnothing 6\frac{m}{m}$ (Cond.)	18625	1	Retainer H.T. Cable (Cond.)
1176	2	Nylstop nut $\varnothing \frac{m}{m} 6 \times 100$ (Cond.)	18921	4	Plain washer $\varnothing 7\frac{m}{m}$ (Cond.)
1285		Crankshaft adjusting wedge $\varnothing 18,9 \times 24 \times 1/10$.. (C.)	19089	2	Leakproof gasket for crankcase (Cond.)
1286		Crankshaft adjusting wedge $\varnothing 18,9 \times 24 \times 2/10$.. (C.)	19478	1	Cylinder with piston complete matched
1287		Crankshaft adjusting wedge $\varnothing 18,9 \times 24 \times 3/10$.. (C.)	19608	1	Engine crankcase with leakproof gaskets
1288		Crankshaft adjusting wedge $\varnothing 18,9 \times 24 \times 5/10$.. (C.)	19609	S.A.	Crankshaft complete (shaft $\varnothing 16\frac{m}{m}$)
14147	1	Nut, swivel axle $\varnothing 8 \times 100\frac{m}{m}$	19882	1	L.H. lower engine support
14716	4	Stud holding cylinder and cylinder head. (Cond.)	19883	1	R.H. lower engine support
14721	S.A.	Decompressor assembly complete	19884	1	Cylinderhead stripped
14819	S.A.	Piston complete rounded $\varnothing 39\frac{m}{m}$	19885	S.A.	Cylinderhead complete
14821	2	Piston ring width $2\frac{m}{m}$ (Cond.)	19886	1	Engine upper articulation bolt $8\frac{m}{m} \times 100 \times 137\frac{m}{m}$
14854	1	Cylinder head gasket (Cond.)	19887	2	Upper articulation shouldered washer
14855	1	Decompressor body	EXHAUST		
14895	1	Cylinder gasket (Cond.)	10	2	Nut $\varnothing 6\frac{m}{m} \times 100$ (Cond.)
14897	1	Decompressor valve gasket (Cond.)	11	1	Nut $\varnothing 7\frac{m}{m} \times 100$ (Cond.)
14919	1	Anchoring lug	20	1	Flat washer $\varnothing 6\frac{m}{m}$ (Cond.)
14957	1	Flat washer $\varnothing 7\frac{m}{m}$ (Cond.)	675	1	Exhaust gasket (Cond.)
14987	1	Washer for valve gasket (Cond.)	1113	1	Nomel washer $\varnothing 7\frac{m}{m}$ (Cond.)
15007	1	Decompressor spring	1189	1	Silencer bolt $\varnothing 7\frac{m}{m} \times 100 \times 52\frac{m}{m}$ (Cond.)
15025	1	Decompressor valve (Cond.)	14786	1	Nut thrust ring
15094	1	Piston pin	17571	1	Exhaust nut
15099	1	Valve link (Cond.)	19869	S.A.	Exhaust complete
15148	2	Screw $\varnothing 7\frac{m}{m} \times 125 \times 45\frac{m}{m}$	19870	1	Filter complete
15855	1	Small end needle cartridge (Cond.)	19871	1	Tail cap
15933	1	Set of two tensioner spring	19890	1	Silencer clip
15934	1	Spring silentblock $\varnothing 6\frac{m}{m} \times 20\frac{m}{m} \times 22\frac{m}{m} \times 16\frac{m}{m}$	19891	1	Lower distance piece for silencer $\varnothing 8\frac{m}{m} \times 12\frac{m}{m} L=30\frac{m}{m}$
16619	1	Inlet pipe inner $13\frac{m}{m}$ - Outer $17\frac{m}{m}$	20212	1	Tail cap rod (Cond.)

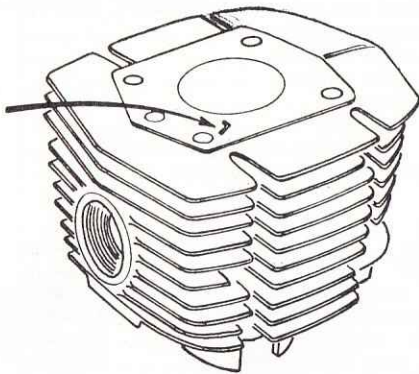
NOTE. — The Mobylette piston is supplied complete. For any order, PLEASE STATE THE LETTER STAMPED ON THE UPPER PART OF THE CYLINDER (See «Marking of cylinders and pistons» Page 3 A).

MARKING PISTON - CYLINDER

The matching "Piston-cylinder" is operated, thanks to a code illustrated by a letter marked on the cylinder top.

For every order of bare piston it is necessary to mention the letter with the N° (see chart).

The cylinders are never supplied bare.

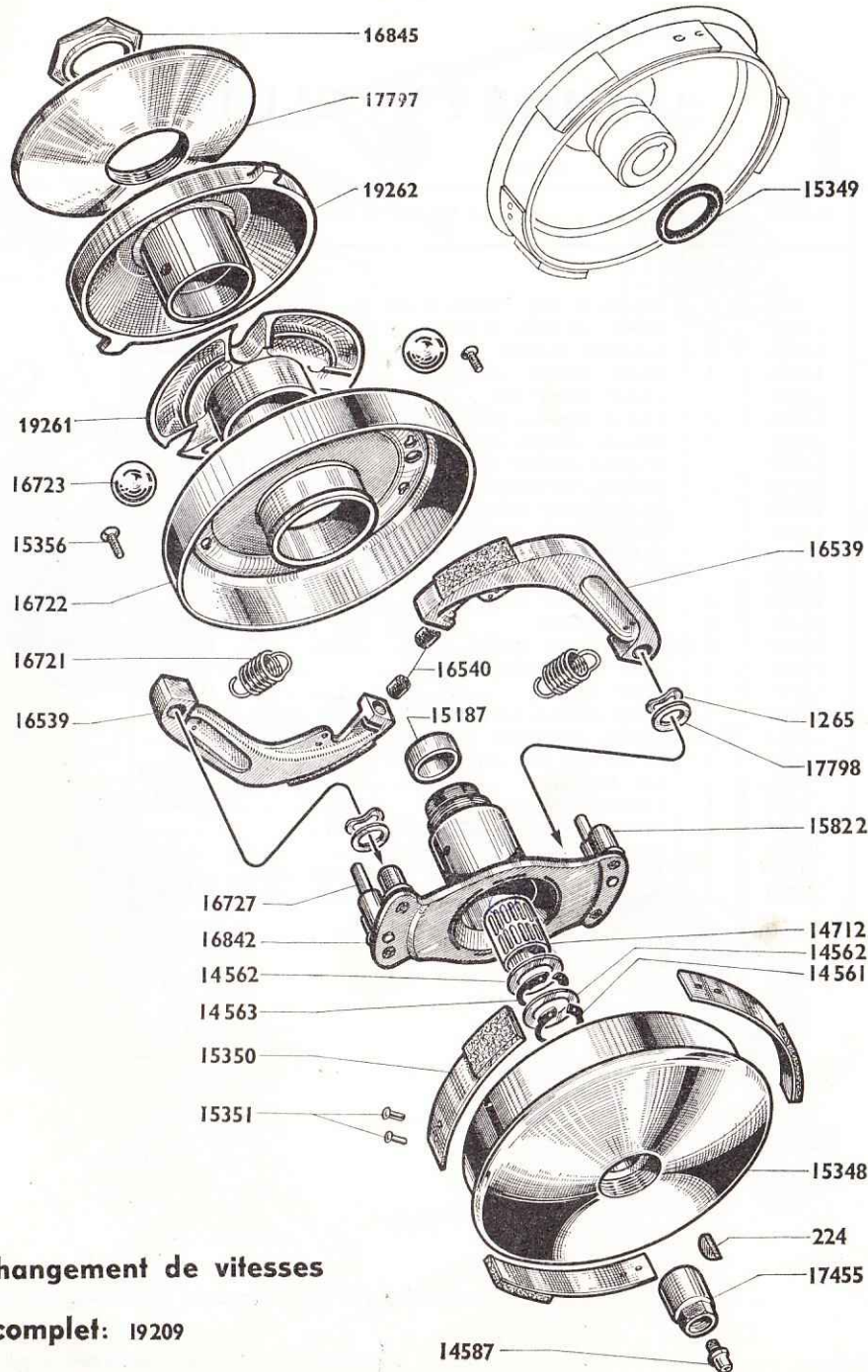
**FOR INSTANCE :**

For a cylinder, marked L, you should
order a piston N° 16858

REFERENCE	Ø PISTON	PART N°
A	38 - 940	16.853
C	- - 950	16.854
E	- - 960	16.855
G	- - 970	16.856
J	- - 980	16.857
L	- - 990	16.858
N	39 - 000	14.819
P	- - 010	16.859

AUTOMATIC GEAR CHANGE

"MOBYMATIC"



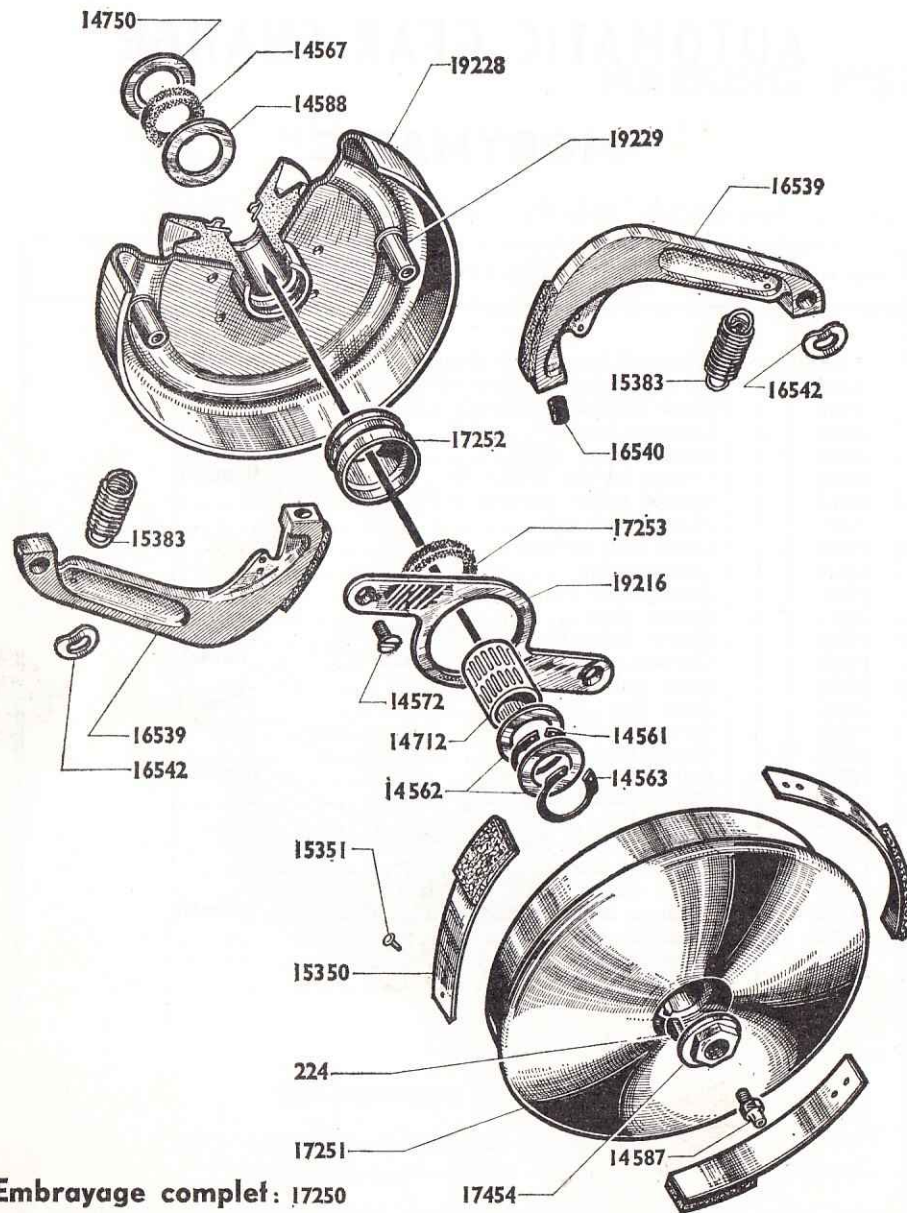
Changement de vitesses

complet: 19209

Part N°	Quantity per machine	DESCRIPTION
224	1	Woodruff key, clutch drum (Cond.)
1265	2	Spring washer, curved $\varnothing 10 \frac{m}{m}$
14561	1	Outer circlips $\varnothing 15 \frac{m}{m}$ (Cond.)
14562	2	Locating washer (Cond.)
14563	1	Inner circlips $\varnothing 22 \frac{m}{m}$ (Cond.)
14587	1	Grease nipple $\varnothing 4 \frac{m}{m} \times 75$ (Cond.)
14712	1	Needle roller bearing $\varnothing 15 \frac{m}{m} \times 19 \frac{m}{m}$ L = $22 \frac{m}{m}$
15187	1	Plug, clutch hub
15348	1	Drum with springs
15349	1	Drum gasket
15350	3	Spring plate with Ferodo
15351	6	Spring rivet (Cond.)
15356	4	Screw, fixing flange $\varnothing 4 \frac{m}{m} \times 75 \times 14 \frac{m}{m}$ (Cond.)
15822	4	Column, to be rivetted, length $13,5 \frac{m}{m}$ (Note)
16539	2	Riser with lining
16540	2	Riser stop (Cond.)
16721	2	Spring, clutch riser (Cond.)
16722	1	Clutch flange
16723	3	Ball $\varnothing 13,49 \frac{m}{m}$ (Cond.)
16727	2	Mobile flange stop $\varnothing 6 \frac{m}{m}$ L = $33 \frac{m}{m}$
16842	1	Clutch hub
16845	1	Locknut, fixed flange $\varnothing 25 \frac{m}{m} \times 100$ L.H. thread
17455	1	Lock nut drum
17797	1	Fixed flange $\varnothing 27 \frac{m}{m} \times 100$ R.H. thread
17798	2	Washer, small column $\varnothing 10 \frac{m}{m} \times 15 \frac{m}{m} \times 2 \frac{m}{m}$ (Cond.)
19209	S.A.	Gear change complete
19261	1	Cage for balls (nylon)
19262	1	Mobile flange pulley

NOTE. — On present automatic gear changes, part number 15822 is replaced by part number 20456. Length below collar $12,5 \frac{m}{m}$. Washers number 1265 and 17798 are replaced by washer number 16542 inside $\varnothing 8 \frac{m}{m}$.

"DIMOBY" CLUTCH

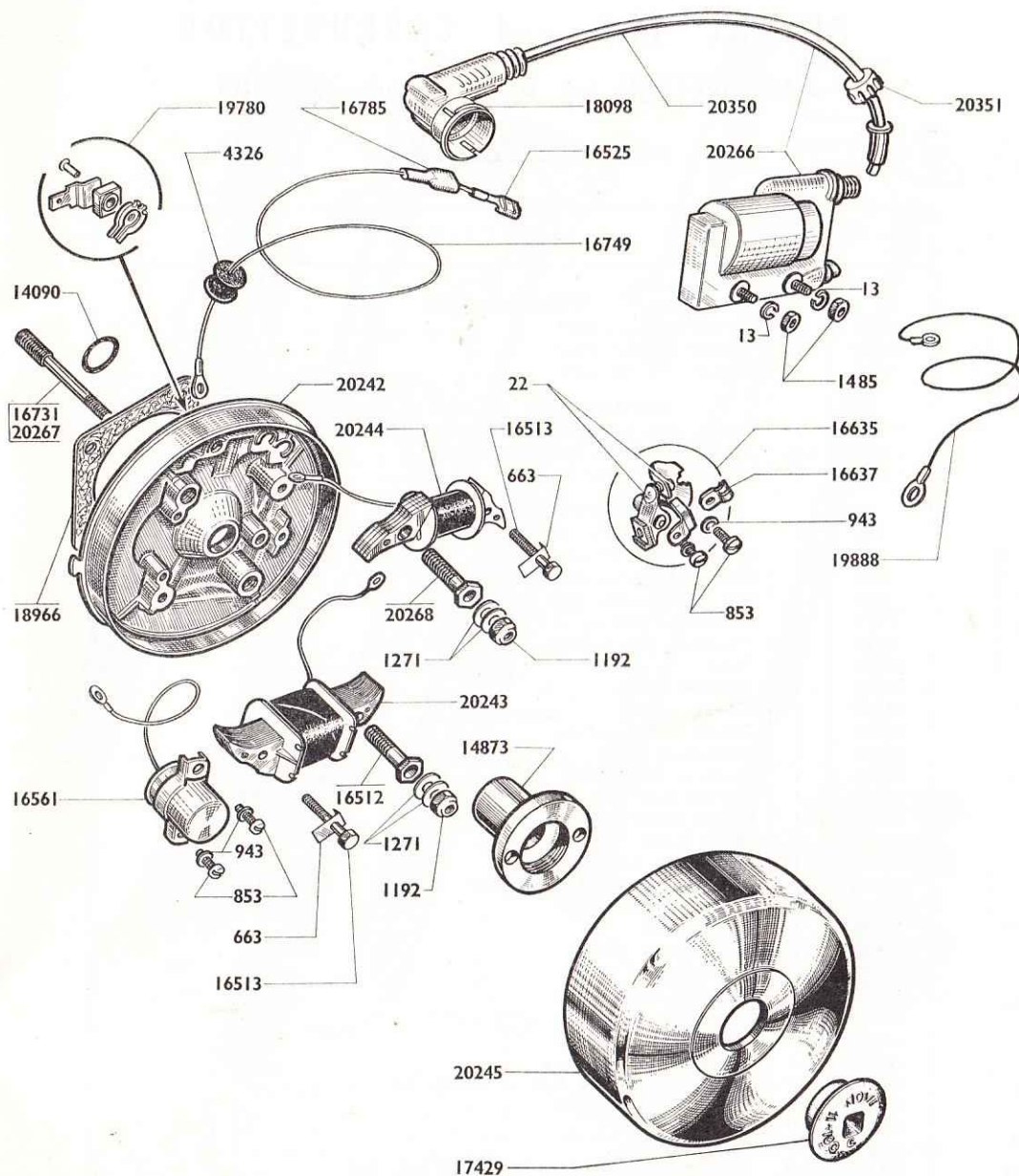


Embrayage complet: 17250

17454

Part N°	Quantity per machine	DESCRIPTION
224	1	Woodruff key, clutch drum (Cond.)
14561	1	Outer circlips $\varnothing 15\frac{m}{m}$ (Cond.)
14562	2	Locating washer (Cond.)
14563	1	Inner circlips $\varnothing 22\frac{m}{m}$ (Cond.)
14567	1	Clutch inner felt (Cond.)
14572	2	Clutch counter flange screw $\varnothing 4\frac{m}{m} \times 75 \times 10\frac{m}{m}$ (C.)
14587	1	Grease nipple $\varnothing 4\frac{m}{m} \times 75$ (Cond.)
14588	1	Washer behind felt (Cond.)
14712	1	Needle cartridge $\varnothing 15\frac{m}{m} \times 19\frac{m}{m} \times 22\frac{m}{m}$ (Cond.)
14750	1	Clutch inner dust deflector $8/10\frac{m}{m}$ (Cond.)
14931	1	Clutch thrust washer $10/100\frac{m}{m}$ (Cond.)
14932	1	Clutch thrust washer $25/100\frac{m}{m}$ (Cond.)
14933	1	Clutch thrust washer $40/100\frac{m}{m}$ (Cond.)
15350	3	Spring plate with Ferodo (Cond.)
15351	6	Spring rivet (Cond.)
15383	2	Clutch riser spring (Cond.)
16539	2	Riser with lining (Cond.)
16540	2	Riser stop (Cond.)
16542	2	Small column spring washer inner $\varnothing 8\frac{m}{m}$ (Cond.)
17250	S.A.	Clutch complete (Cond.)
17251	1	Drum with hub and springs (Cond.)
17252	1	Oil deflector (Cond.)
17253	1	Clutch outer felt (Cond.)
17454	1	Drum lock nut $\varnothing 11\frac{m}{m} \times 100$ (R.H.) (Cond.)
19216	1	Counter flange (Cond.)
19228	1	Flange with hub column and pulley $\varnothing 63\frac{m}{m}$ (Cond.)
19229	2	Small column to be rivetted, length under neck $13\frac{m}{m}$ (Cond.)

FLYWHEEL MAGNETO 8 watts with OUTER COIL



Part N°	Quantity per machine	DESCRIPTION
13	2	Grower washer $\varnothing 5\frac{m}{m}$ (Cond.)
22	2	Tungsten contact point to be rivetted (Cond.)
663	2	Locking tab, coil securing screw (Cond.)
853	4	Screw $4\frac{m}{m} \times 75\frac{m}{m}$, length $10\frac{m}{m}$
943	3	Grower washer $\varnothing 4\frac{m}{m}$ (Cond.)
1192	2	Nylstop nut $\varnothing 5\frac{m}{m} \times 75\frac{m}{m}$ (Cond.)
1271	4	Belleville washer $\varnothing 5\frac{m}{m}$ (Cond.)
1485	2	Nut $5\frac{m}{m} \times 80\frac{m}{m}$ (Cond.)
4326	1	Grommet (Cond.)
14090	1	Leakproof washer (Cond.)
14873	1	Cam
16512	1	Hollow screw $\varnothing 7,5\frac{m}{m} \times 100 \times 24\frac{m}{m}$ securing the coil.
16513	2	Screw $\varnothing 4\frac{m}{m} \times 75\frac{m}{m} \times 23\frac{m}{m}$ securing the coil
16525	1	Shell for lighting terminal (Cond.)
16561	1	Condenser
16635	S.A.	Breaker complete
16637	1	Breaker adjusting lever
16731	1	Stud $\varnothing 6 \times 22\frac{m}{m}$ (Cond.)
16749	1	Connecting wire breaker coil
16785	2	Lighting terminal, rubber cover (Cond.)
17429	1	Flywheel lock nut $\varnothing 11\frac{m}{m} \times 100$ (L.H. thread)
18098	1	Radio-surpressor
18966	1	Paper gasket (Cond.)
19780	1	Lighting terminal complete
19888	1	Earth wire complete
20240	S.A.	Flywheel magneto complete
20241	S.A.	Flywheel stator complete
20242	1	Flywheel stator stripped
20243	1	Ignition coil
20244	1	Lighting coil
20245	1	Rotor (marked "C")
20266	1	Outer ignition coil with wire
20267	1	Stud $\varnothing 6 \times 18\frac{m}{m}$ (Cond.)
20268	1	Hollow screw $\varnothing 7,5\frac{m}{m} \times 100$ L = $22\frac{m}{m}$ securing the coil
20350	1	H.T. cable L = $175\frac{m}{m}$
20351	1	Securing nut H.T. cable on outer coil

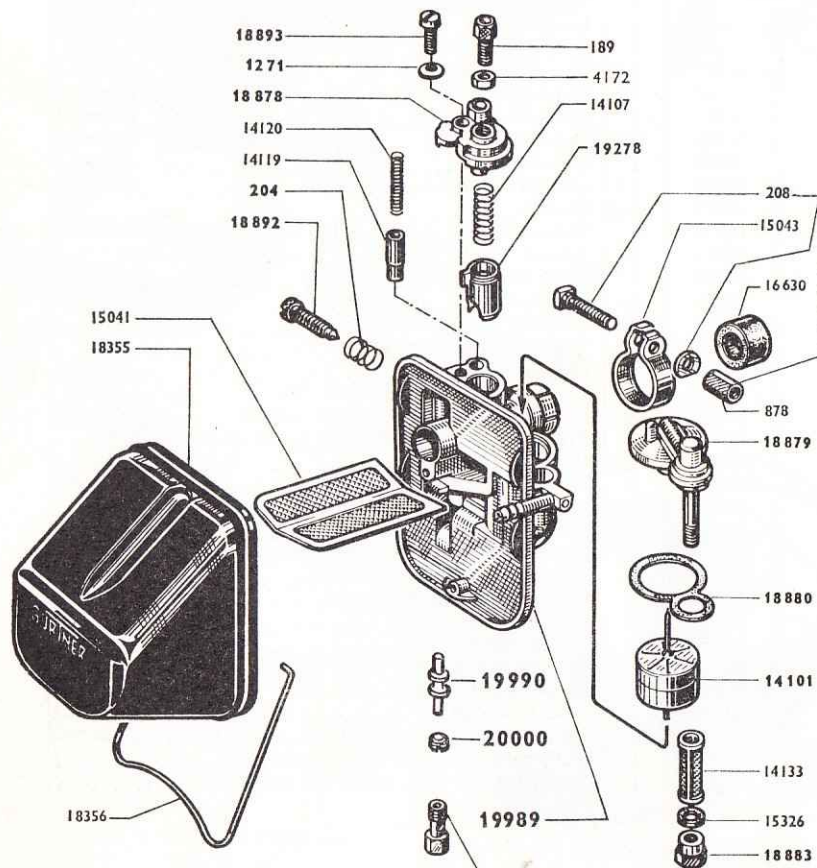
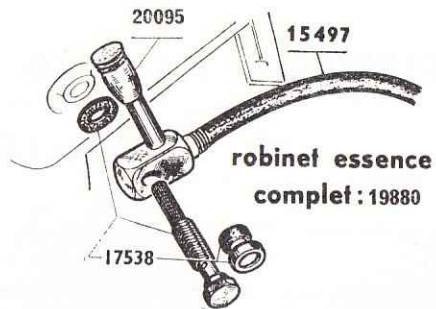
Volant magnétique complet 8 Watts: 20240

Plateau de Volant complet: 20241

MOBYLETTE

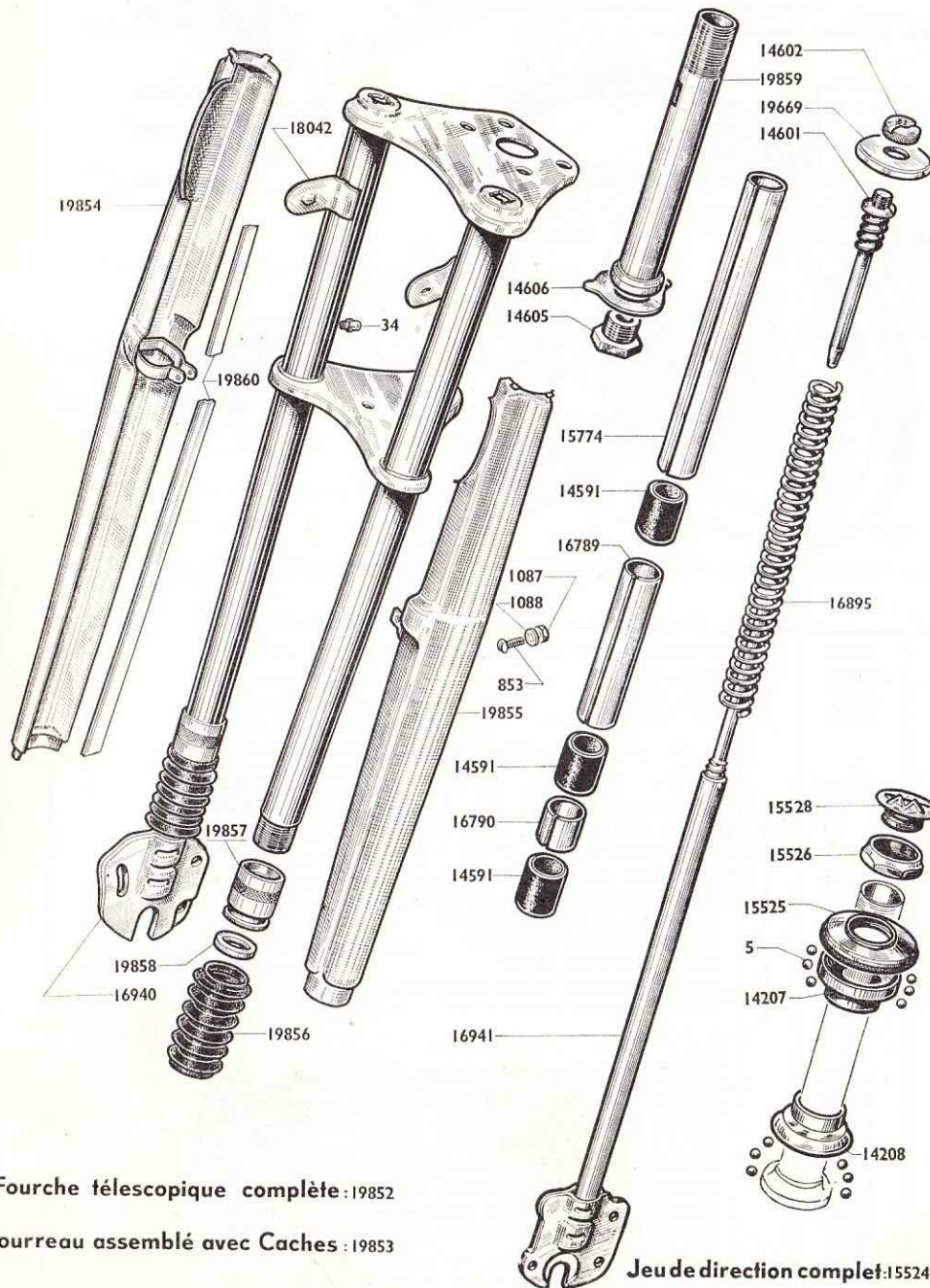
Types AV or AU 49 - 46

PETROL TAP and CARBURETTOR CARBURETTOR typ AR 2-12 adjusting 705 with removable diffuser



Part N°	Quant-ity per machine	DESCRIPTION
PETROL PIPE		
14837		Nylon petrol pipe
15497	1	Rubber petrol pipe
15514	2	Clip for petrol pipe
PETROL TAP (Model to push)		
17538	1	Screw with filter and tap gasket (Cond.)
S.A.		Petrol tap with screw and pipe
20095	1	Tap knob plastic (Cond.)
CARBURETTOR AR 2-12 - Adj. 705		
189	1	Tensioner screw $\varnothing 6\frac{3}{8} \times 75$ Length $17,5\frac{3}{8}$ (Cond.)
204	1	Spring, idle screw
208	1	Bolt, clip carburettor $\varnothing 6\frac{3}{8} \times 100$ L = $21\frac{3}{8}$ (Cond.)
878	1	Nut, carburettor clip $\varnothing 6\frac{3}{8} \times 100$
1271	1	Belleville washer $\varnothing 5\frac{3}{8}$ (Cond.)
4172	1	Chamber cap tension screw, lock nut (Cond.)
14101	1	Float
14107	1	Throttle spring
14119	1	Choke valve
14120	1	Choke valve spring
14133	1	Decanting filter
15041	1	Silencer wire mesh
15043	1	Carburettor clip (Cond.)
15326	1	Lower blind nut gasket (Cond.)
16630	1	Fibre bush
18355	1	Air intake cap
18356	1	Spring securing the silencer (Cond.)
18878	1	Chamber cap (Nota)
18879	1	Bowl cover
18880	1	Bowl cover gasket (Cond.)
18883	1	Lower blind nut
18892	1	Throttle stop screw
18893	1	Chamber cap screw $\varnothing 5\frac{3}{8} \times 80$ L = $12\frac{3}{8}$
18975	1	Jet size 22
19278	1	Throttle
19989	1	Carburettor body A.R. 2-12 Adj. 705
19990	1	Diffuser, removable
19999	1	Jet size 22,5
20000	1	Joint, diffuser
20026	S.A.	Carburettor complete A.R. 2-12 Adj. 705

NOTA. — 18878. Since September 1968, the chamber cap is modified. The choke control guide has been increased from $\varnothing 6\frac{3}{8}$ to $\varnothing 7,8\frac{3}{8}$. The new chamber cap has the part n. 20262.



TELESCOPIC FORK - STEERING HEAD RACES

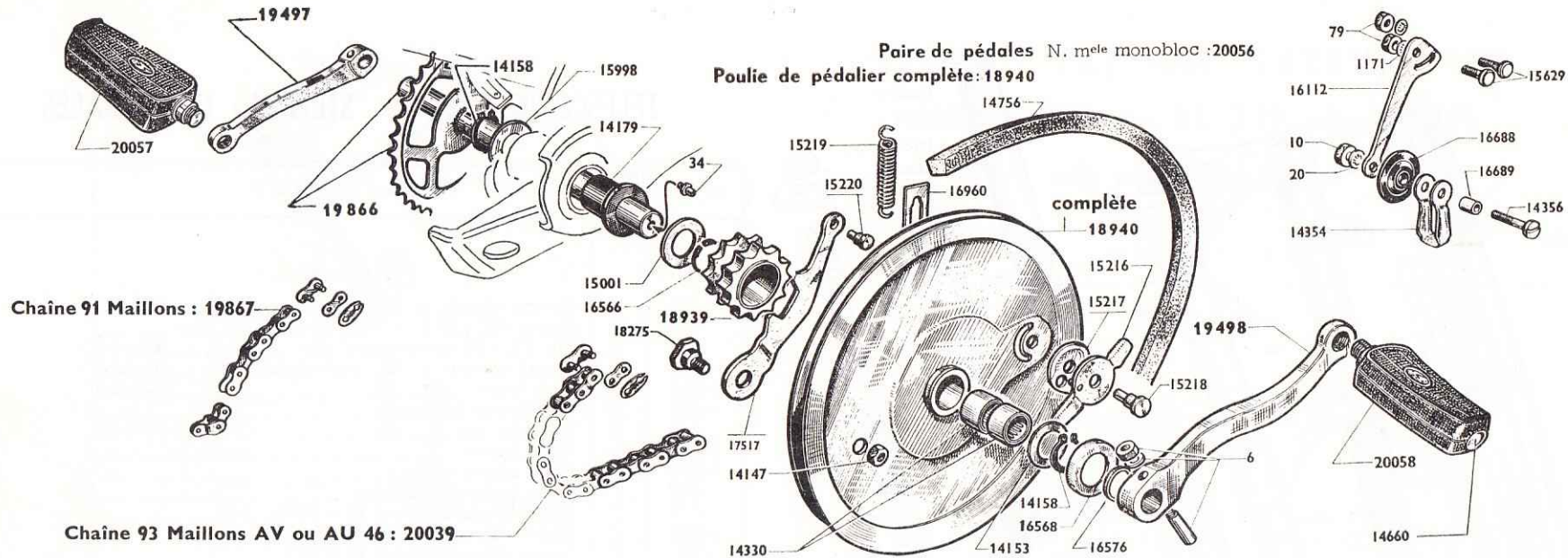
Part N°	Quantity per machine	DESCRIPTION
FORK		
34	2	Grease nipple $\varnothing 5^m \times 75^m$ (Cond.)
853	2	Screw $4^m \times 75$ L = 10^m embellisher clip
1087	2	Nut $4^m \times 75$ embellisher clip (Cond.)
1088	2	Nomel washer $\varnothing 4^m$, embellisher clip (Cond.)
14591	6	Fork bush (Cond.)
14601	2	Spring top fastener
14602	2	Fastener nut (Cond.)
14605	1	Pivot screw
14606	1	Pivot screw tab
15528	1	Pivot upper nylon plug
15774	2	Upper distance piece L = 243^m
16789	2	Middle distance piece L = 113^m
16790	2	Lower distance piece L = 22^m
16895	2	Fork spring (reinforced wire 30/10)
16940	1	R.H. plunger with spring guide
16941	1	L.H. plunger with spring guide
18042	2	Headlamp support (to be welded)
19669	2	Upper round cover, under top fastener nut (C.)
19852	S.A.	Telescopic fork complete aluminium grey
19853	S.A.	Sheath assembly
19854	1	R.H. fork embellisher with clip
19855	1	L.H. fork embellisher with clip
19856	2	Protecting rubber
19857	2	Lower nut, sheath
19858	2	Leakproof gasket $15^m \times 23^m \times 3^m$
19859	1	Fork pivot (for steering lock)
19860	S.A.	Set of beads (4) for embellisher
STEERING HEAD RACES		
5	48	Balls of 3,96 (Cond.)
14207	1	Upper cone
14208	1	Lower cup
15524	S.A.	Steering head races complete
15525	1	Upper cup
15526	1	Steering locknut
18249	1	Washer for steering locknut (not illustrated) (C.)

Fourche télescopique complète : 19852

Fourreau assemblé avec Caches : 19853

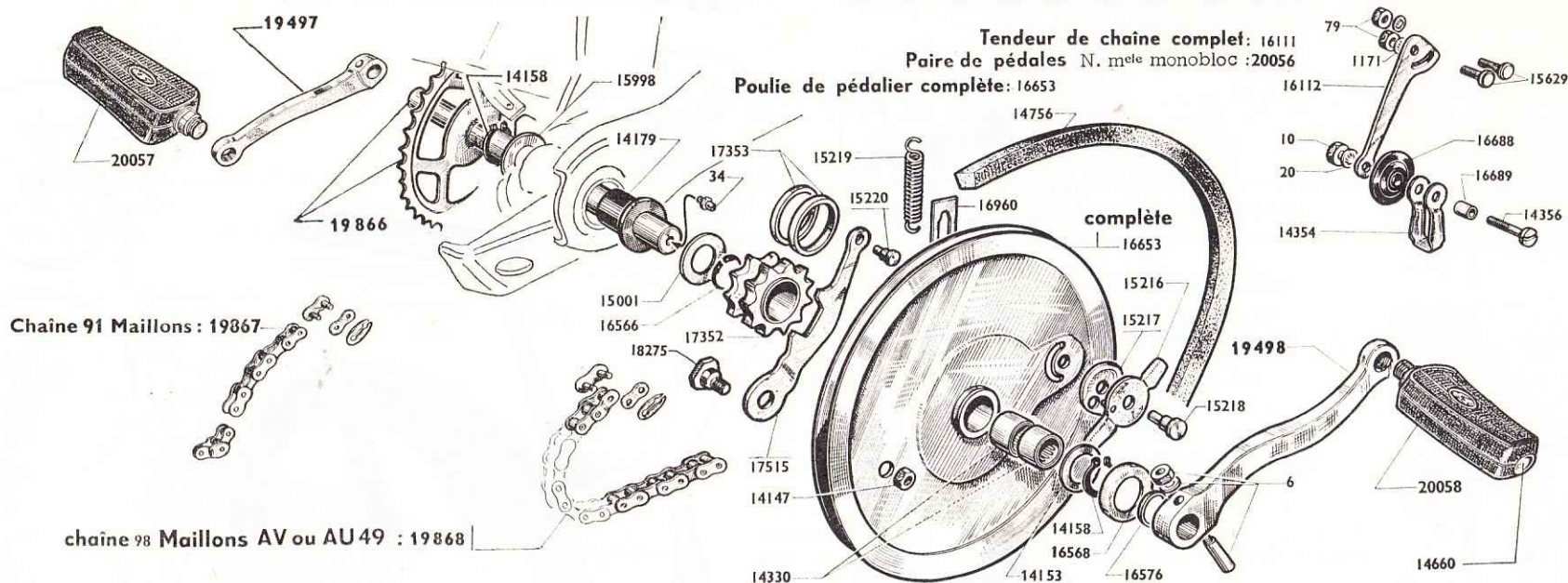
Jeu de direction complet : 15524

PEDAL UNIT - CHAINS - CHAIN TENSIONER (AV or AU 46)



Part N°	Quantity per machine	DESCRIPTION	Part N°	Quantity per machine	DESCRIPTION
PEDAL UNIT					
6	2	Bracket cotter pin (Cond.)	19866	1	Bracket ax. with spro. welded 32 teeth ax. L = 201 ^m / _m
34	1	Grease nipple \varnothing 5 ^m / _m \times 75 ^m / _m (Cond.)	20056	S.A.	Pair of pedal
14147	1	Nut lever axle \varnothing 8 ^m / _m \times 100 ^m / _m	20057	1	R.H. pedal
14153	1	Bracket thrust washer \varnothing 16,5 ^m / _m \times 27 ^m / _m \times 20/10 ^m / _m . (C.)	20058	1	L.H. pedal
14158	2	Bracket circlips (Cond.)	CHAIN TENSIONER		
14179	2	Bracket bush	10	1	Nut 6 ^m / _m \times 100 (Cond.)
14330	2	Needle cartridge L = 12 ^m / _m	20	1	Flat washer \varnothing 6 ^m / _m (Cond.)
14660	2	Pedal cap (Cond.)	79	2	Nut of bolt securing chain tensioner (Cond.)
14756	1	Belt 14 \times 7 L = 799 ^m / _m	1171	2	Shakeproof washer \varnothing 5 ^m / _m (Cond.)
14833		Bracket bush, oversized	14354	1	Tensioner roller bridge
15001	1	Bracket thrust washer \varnothing 16,5 ^m / _m \times 30 ^m / _m \times 8/10 ^m / _m . (C.)	14356	1	Chain tensioner axle with nut
15216	1	Lock button	15629	2	Bolt securing chain tensioner
15217	1	Button friction washer	16111	S.A.	Chain tensioner complete
15218	1	Button axle	16112	1	Chain tensioner lever
15219	1	Lock lever spring (Cond.)	16688	1	Chain tensioner roller complete (Rilsan)
15220	1	Lever spring axle	16689	1	Roller distance piece \varnothing 8 ^m / _m L = 10,5 ^m / _m
15998	1	Bracket thrust washer \varnothing 16,5 ^m / _m \times 26 ^m / _m \times 10/10 ^m / _m . (C.)	CHAIN		
16566	1	Bracket circlips (Cond.)	14364		Cranked link for transmission chain Yellow .. (C.)
16568	1	Bracket oil deflector (Cond.)	14365		Cranked link for pedal chain Yellow (Cond.)
16576	1	L.H. crank arm distance piece (8 ^m / _m thick) (Cond.)	14367		Spring link for transmission chain Yellow ... (C.)
16960	1	Pulley spring limitator	14368		Spring link for pedal chain Yellow (Cond.)
17517	1	Lock lever stripped	14565		Cranked link for transmission chain Brampton . (C.)
17518	S.A.	Lock lever complète	14875		Spring link for transmission chain Brampton ... (C.)
18275	1	Lock lever axle with nut \varnothing 12 ^m / _m	147590		Cranked link for pedal chain Brampton ... (Cond.)
18939	1	Sprocket 12 teeth inner \varnothing 26 ^m / _m	17591		Spring link for pedal chain Brampton ... (Cond.)
18940	S.A.	Bracket pulley with sprocket and needle cartridge	19867	1	Drive chain 91 links
19497	1	R.H. crank arm	20039	1	Pedal chain 93 links
19498	1	L.H. crank arm			

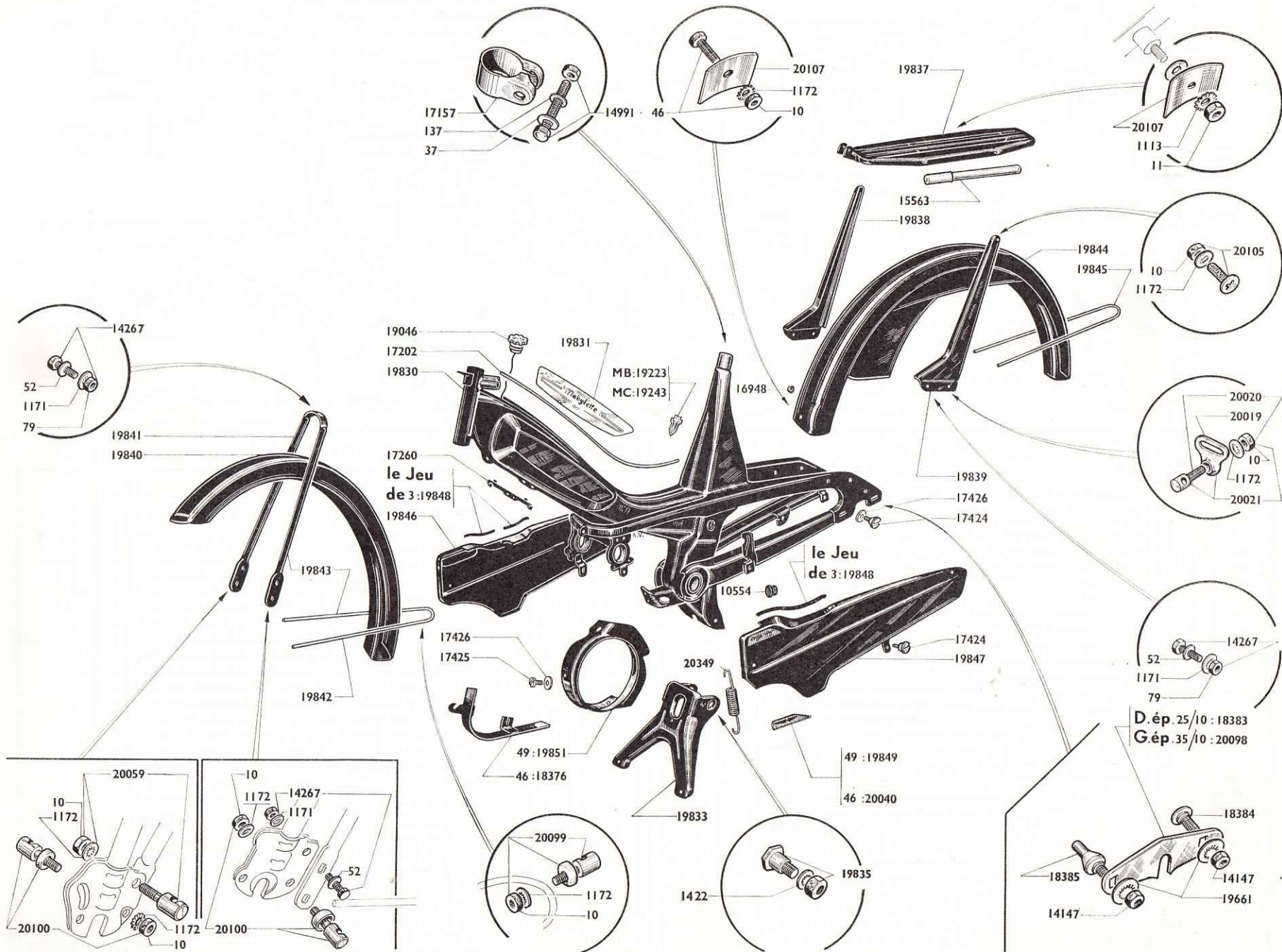
PEDAL UNIT - CHAINS - CHAIN TENSIONER (AV or AU 49)



Part N°	Quantity per machine	DESCRIPTION	Part N°	Quantity per machine	DESCRIPTION
PEDAL UNIT					
6	2	Bracket cotter pin	19498	1	L.H. crank arm
34	1	Grease nipple $\varnothing 5\frac{m}{m} \times 75$	19866	1	Bracket ax. with sproc. welded 32 teeth ax. L = 201 $\frac{m}{m}$
14147	1	Nut lever axle $\varnothing 8\frac{m}{m} \times 100$	20056	S.A.	Pair of pedals
14153	1	Bracket thrust washer $\varnothing 16,5\frac{m}{m} \times 27\frac{m}{m} \times 20/100\frac{m}{m}$ (C.)	20057	1	R.H. pedal
14158	2	Bracket circlips	20058	1	L.H. pedal
14179	2	Bracket bush	CHAIN TENSIONER		
14330	2	Needle cartridge L = 12 $\frac{m}{m}$	10		Nut 6 $\frac{m}{m} \times 100$
14660	2	Pedal cap	20	1	Flat washer $\varnothing 6\frac{m}{m}$
14756	1	Belt 14 x 7 L = 799 $\frac{m}{m}$	79	2	Nut of bolt securing chain tensioner
14833		Bracket bush, oversized	1171	2	Shakeproof washer $\varnothing 5\frac{m}{m}$
15001	1	Bracket thrust washer $\varnothing 16,5\frac{m}{m} \times 30\frac{m}{m} \times 8/10\frac{m}{m}$ (C.)	14354	1	Tensioner roller bridge
15216	1	Lock button	14356	1	Chain tensioner axle with nut
15217	1	Button friction washer	15629	2	Bolt securing chain tensioner
15218	1	Button axle	16111	S.A.	Chain tensioner complete
15219	1	Lock lever spring	16112	1	Chain tensioner lever
15220	1	Lever spring axle	16688	1	Chain tensioner roller complete (Rilsan)
15998	1	Bracket thrust washer $\varnothing 16,5\frac{m}{m} \times 26\frac{m}{m} \times 10/10\frac{m}{m}$ (C.)	16689	1	Roller distance piece $\varnothing 8\frac{m}{m}$ L = 10,5 $\frac{m}{m}$
16566	1	Bracket circlips	CHAINS		
16568	1	Bracket oil deflector	14364		Cranked link for transmission chain Yellow .. (C.)
16576	1	L.H. crank arm distance piece (8 $\frac{m}{m}$ thick) (Cond.)	14365		Cranked link for pedal chain Yellow .. (Cond.)
16653	S.A.	Bracket pulley with sprocket and needle cartridge	14367		Spring link for transmission chain, Yellow .. (C.)
16960	1	Pulley spring limiter	14368		Spring link for pedal chain, Yellow .. (Cond.)
17352	1	Sprocket 11 teeth inner $\varnothing 26\frac{m}{m}$	14565		Cranked link for transmission chain, Brampton (C.)
17353	1	Set of rubber rings	14875		Spring link for transmission chain, Brampton (C.)
17515	1	Lock lever stripped	17590	1	Cranked link for pedal chain, Brampton (Cond.)
17516	S.A.	Lock lever complete	17591		Spring link for pedal chain, Brampton .. (Cond.)
18275	1	Lock lever axle with nut $\varnothing 12\frac{m}{m}$	19867		Pedal chain 91 links
19497	1	R.H. crank arm	19868	1	Drive chain 98 links (AV or AU 49)

MOBYLETTE

Types AV or AU 49 - 46

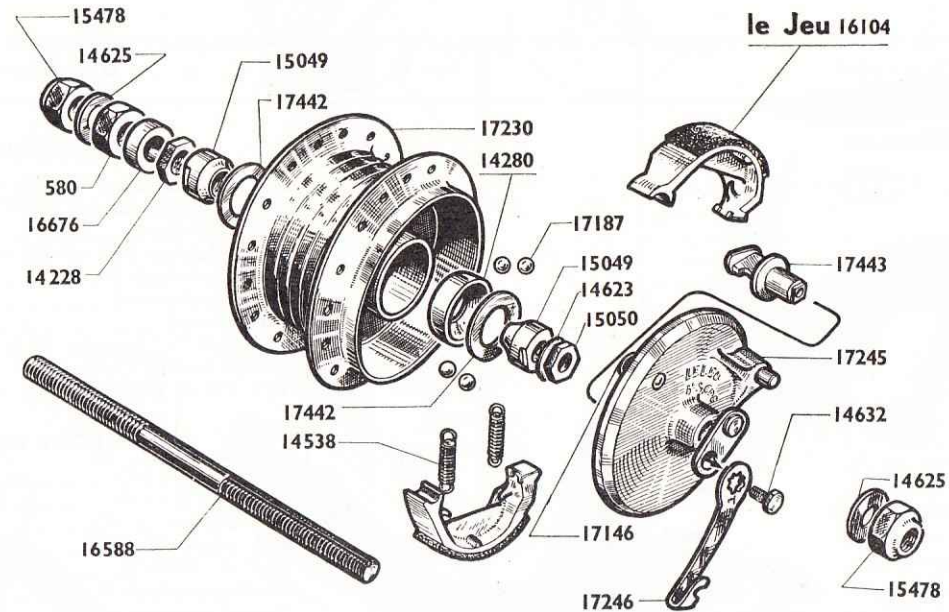


CYCLE PARTS

Part N°	Quantity per machine	DESCRIPTION	Part N°	Quantity per machine	DESCRIPTION
FRAME-TANK			CHAINGUARD		
10554	1	Rubber ring	17424	6	Screw chainguard $\varnothing 5\frac{m}{m} \times 90$ (Cond.)
14991	1	Clip, bolt seat pillar $\varnothing 8\frac{m}{m} \times 100$ L = $46\frac{m}{m}$.. (C.)	17425	3	Screw, clutch fairing $\varnothing 5\frac{m}{m} \times 90 \times 7\frac{m}{m}$... (Cond.)
15563	1	Inflator L = $250\frac{m}{m}$	17426	9	Plastic washer
17157	1	Clip, seat pillar	18376	1	Clutch fairing (AV or AU 46)
17202	1	Tank beading	19846	1	R.H. chainguard
17260	1	Bracket, cable retainer	19847	1	L.H. chainguard
18383	1	R.H. Rear lug (thickness = $25/10\frac{m}{m}$)	19848	S.A.	Set of bead
19046	1	Fuel filler cap	19849	S.A.	MOBYMATIC transfer (R.H. = L.H.) ... (Cond.)
19223	1	MOTOBECANE transfer	19851	1	Clutch fairing (AV or AU 49)
19243	1	MOTOCONFORT transfer	20040	S.A.	TYP AV 46 transfer (R.H. + L.H.) ... (Cond.)
19798	1	Steering lock with key			
19830	1	FRAME (49-46)			
19831	S.A.	MOBYLETTE transfer (R.H. + L.H.) ... (Cond.)			
20098	1	L.H. rear lug (thickness = $35/10\frac{m}{m}$)			
20107	1	Inner reinforcing member			
MUDGUARD					
16948	1	Rubber ring on rear mudguard (Cond.)	10	12	Nut $\varnothing 6\frac{m}{m} \times 100$ (Cond.)
19840	1	Front mudguard stripped	11	1	Nut $\varnothing 7\frac{m}{m} \times 100$ (Cond.)
19841	1	Front mudguard bridge	37	1	Flat washer $\varnothing 8\frac{m}{m}$
19842	1	Lower stay, front mudguard	52	10	Flat washer $\varnothing 5\frac{m}{m}$
19843	S.A.	Stays set, front mudguard (1 bridge + 1 stay) ..	79	16	Nut $\varnothing 5 \times 90\frac{m}{m}$
19844	1	Rear mudguard	137	1	Blocfor washer $\varnothing 8\frac{m}{m}$
19845	1	Stay, rear mudguard	1113	1	Nomel washer $\varnothing 7\frac{m}{m}$
			1171	16	Nomel washer $\varnothing 5\frac{m}{m}$
			1172	12	Nomel washer $\varnothing 6\frac{m}{m}$
			14147	4	Nut $8\frac{m}{m} \times 100$
			14267	12	Bolt $\varnothing 5\frac{m}{m} \times 90 \times 10\frac{m}{m}$
			18384	3	Screw securing with nut
			18385	1	Anchor bolt
			19661	4	Nomel washer $\varnothing 8\frac{m}{m} \times 22$
			20019	2	Lug for sandow
			20020	2	Stay adjuster bolt
			20021	2	Stay adjuster bolt with lug for sandow (Cond.)
			20059	1	Adjuster bolt, front brake $\varnothing 6\frac{m}{m} \times 100$
			20099	4	Stay adjuster bolt $\varnothing 6\frac{m}{m} \times 100 \times 14,5\frac{m}{m}$
			20100	2	Stay adjuster bolt on fork $\varnothing 6\frac{m}{m} \times 100 \times 16,5\frac{m}{m}$..
			20105	2	Screw $\varnothing 6\frac{m}{m} \times 100$ (cruciform) luggage carrier
LUGGAGE CARRIER					
19836	S.A.	Luggage carrier complete			
19837	1	Luggage carrier plate			
19838	1	R.H. stay, luggage carrier			
19839	1	L.H. stay, luggage carrier			
20107	1	Inner reinforcing member			
CENTRE STAND					
1422	2	Nomel washer $\varnothing 8\frac{m}{m}$ (Cond.)			
19833	1	Centre stand			
19835	2	Bolt, centre stand L = $18,5\frac{m}{m}$ (Cond.)			
20349	1	Spring, centre stand			

MOBYLETTE Types AV or AU 49 - 46

moyeu AV complet 17229



Reprinting forbidden

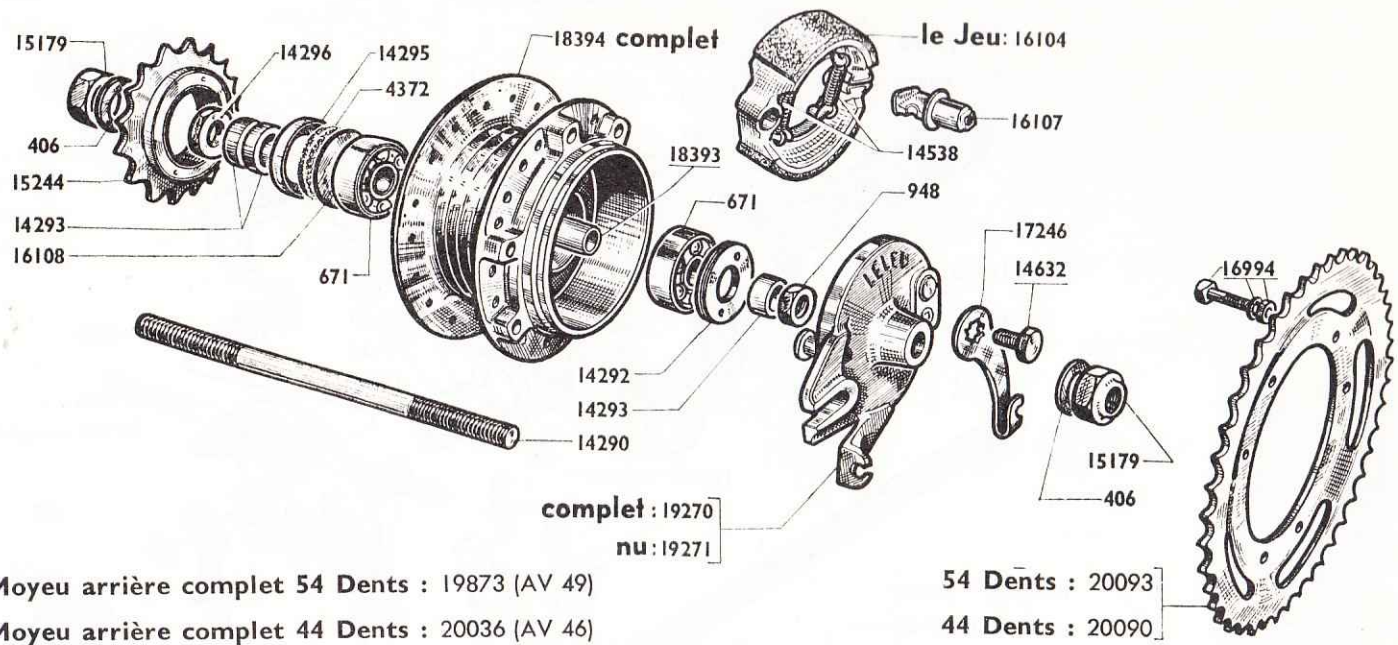
FRONT WHEEL AND HUB "LELEU" Ø 80 ^m/_m

Part N°	Quantity per machine	DESCRIPTION	Part N°	Quantity per machine	DESCRIPTION
WHEEL					
15536	1	Tyre 23×2	15049	2	Bearing cone (Cond.)
15538	1	Rim tape	15050	1	Lock nut, cone
15904	36	Nipple, gauge 17 (Cond.)	15478	2	Nut spindle (Cond.)
17228	S.A.	Front wheel complete	16104	1	Pair of jaw Ø 80 ^m / _m
17344	1	Rim 23×2	16587	S.A.	Front hub axle complete Ø 11 ^m / _m
19212	36	Spoke 16×16×17 L=198 ^m / _m (Cond.)	16588	1	Front hub axle stripped
50086	1	Inner tube, valve Schraeder	16676	1	Distance piece Ø 11 ^m / _m ×14 ^m / _m ×6,5 thick (or 11 ^m / _m ×16 ^m / _m ×6,5 ^m / _m thick)
HUB					
580	1	Lock nut	17146	1	Fixed point (to be rivetted)
14228	2	Counter nut	17187	20	Ball of 5,55 ^m / _m (Cond.)
14280	2	Front hub cup Ø 29 ^m / _m	17229	S.A.	Front hub complete
14538	2	Spring, brake shoes (Cond.)	17230	1	Front hub body stripped Ø 80 ^m / _m
14623	1	Tongued washer	17244	S.A.	Jaw flange complete
14625	2	Plain washer Ø 11 ^m / _m	17245	1	Jaw flange stripped
14632	1	Screw, securing front brake came lever	17246	1	Cam lever, front brake
			17442	2	Washer Ø 29,15 ^m / _m
			17443	1	Brake cam (Cond.)

Reprinting forbidden

REAR WHEEL AND HUB "LELEU"

∅ 80 ^m/_m



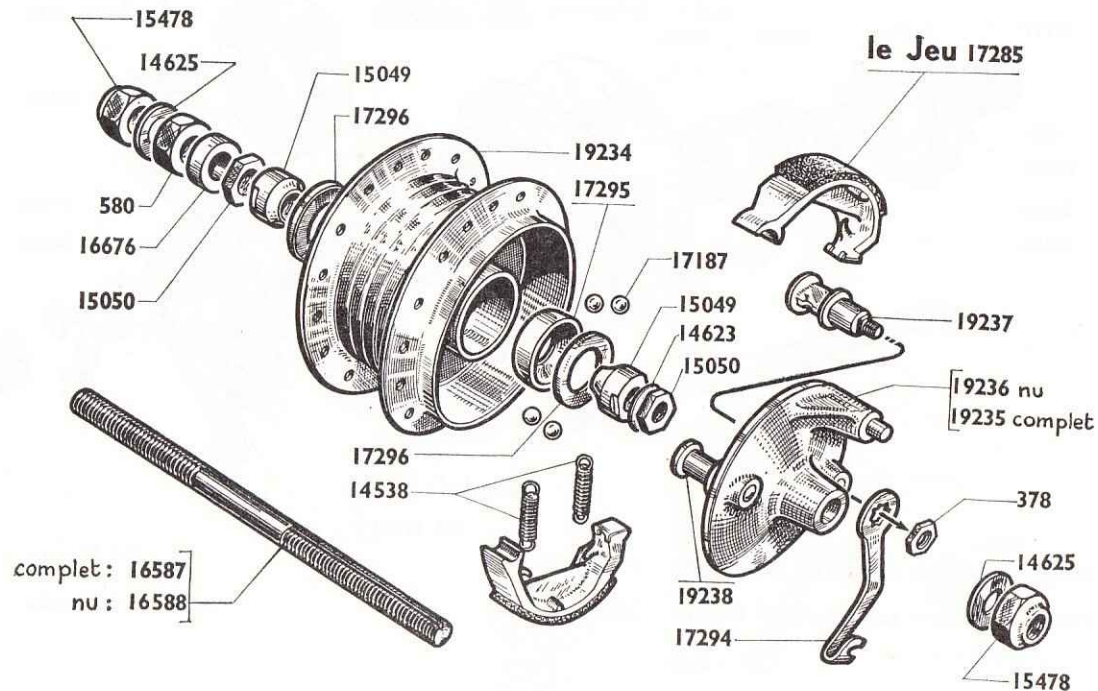
Moyeu arrière complet 54 Dents : 19873 (AV 49)

Moyeu arrière complet 44 Dents : 20036 (AV 46)

Part N°	Quantity per machine	DESCRIPTION	Part N°	Quantity per machine	DESCRIPTION
WHEEL					
15536	1	Tyre 23×2	14293	3	Distance piece ∅10 ^m / _m ×16 ^m / _m ×6 ^m / _m
15538	1	Rim tape	14295	1	Dust deflector outer ∅30 ^m / _m
17344	1	Rim 23×2	14296	1	Hub nut
17859	36	Nipple, gauge 18	14538	2	Jaw spring
19595	36	Spoke 17×17×18 ^m / _m L=198 ^m / _m	14632	1	Cam lever securing screw.....
19875	S.A.	Rear wheel complete with sprocket 54 Teeth (AV or AU 49).....	15179	2	Rear wheel nut ∅10 ^m / _m
20038	S.A.	Rear wheel complete with sprocket 44 Teeth (AV or AU 46).....	15244	1	Free wheel 18 teeth 34,7×100 ^m / _m
50086	1	Inner tube, valve Schraeder	16104	1	Pair of jaw ∅80 ^m / _m
HUB					
406	2	Plain washer	16107	1	Rear brake cam
671	2	Ball bearing 10 ^m / _m ×30 ^m / _m ×9 ^m / _m	16108	1	Felt washer
948	1	Lock nut, thick 5 ^m / _m	16994	6	Rear sprocket securing bolt ∅6 ^m / _m ×10 ^m / _m ×20 ^m / _m . (C.)
4372	1	Felt seal	17246	1	Rear cam lever
14290	1	Axle stripped ∅10 ^m / _m	18393	1	Ball bearing distance piece L=57,5 ^m / _m
14292	1	Lock nut, ball bearing	18394	S.A.	Hub shell complete (whithout sprocket).....
			19270	S.A.	Brake plate complete
			19271	1	Brake plate stripped
			19873	S.A.	Rear wheel complete 54 teeth (AV or AU 49)...
			20036	S.A.	Rear wheel complete 44 teeth (AV or AU 46)...
			20090	1	Rear sprocket 44 teeth (AV or AU 46).....
			20093	1	Rear sprocket 54 teeth (AV or AU 49).....

MOBYLETTE Types AV or AU 49 - 46

moyeu AV complet : 19233



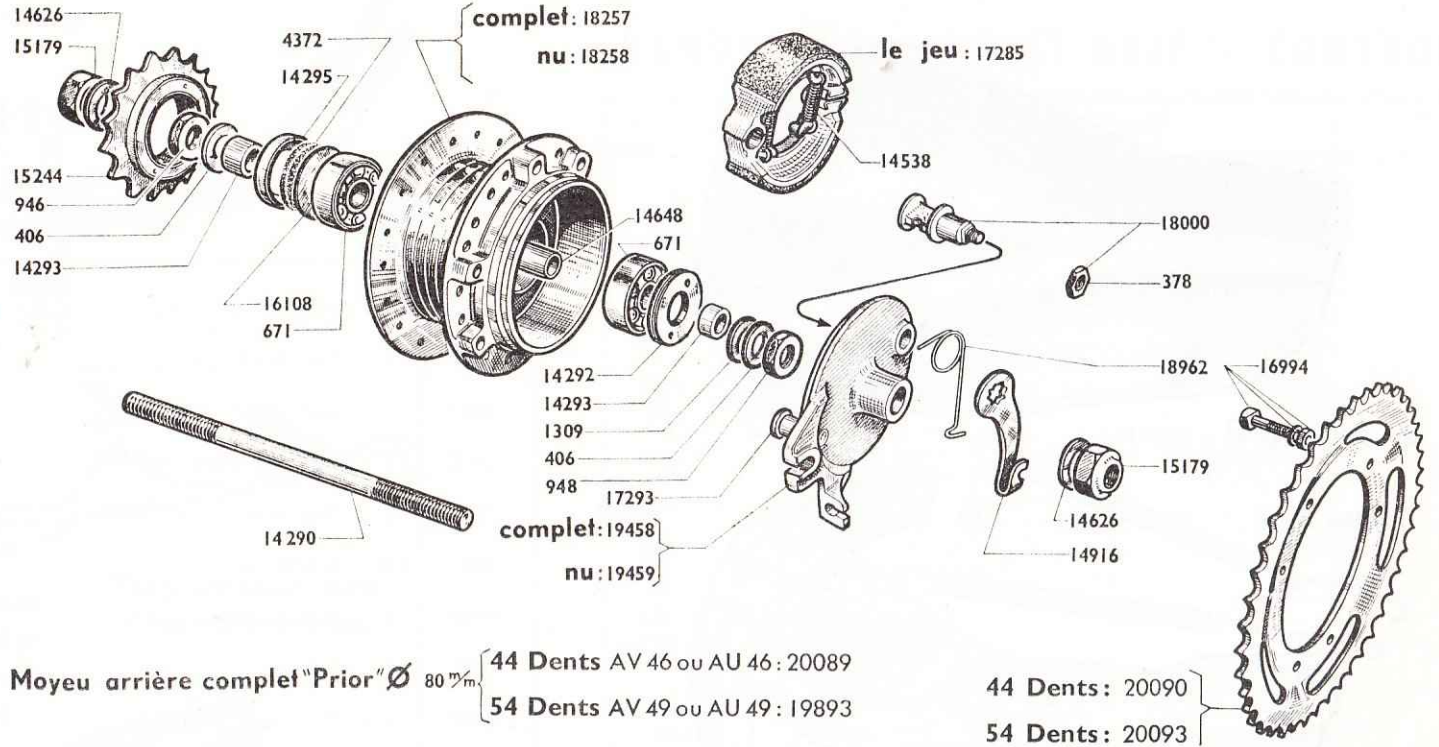
FRONT WHEEL AND HUB "PRIOR" \varnothing 80 $\frac{m}{m}$

Part N°	Quantity per machine	DESCRIPTION	Part N°	Quantity per machine	DESCRIPTION
WHEEL					
15536	1	Tyre 23×2	15049	2	Bearing cone
15538	1	Rim tape	15050	2	Lock nut, cone
15904	36	Nipple, gauge 17	15478	2	Spindle nut
17283	S.A.	Front wheel complete	16587	S.A.	Front hub axle complete \varnothing 11 $\frac{m}{m}$
17344	1	Rim 23×2	16588	1	Front hub axle stripped \varnothing 11 $\frac{m}{m}$
19212	36	Spoke 16×16×17 L=198 $\frac{m}{m}$	16676	1	Distance piece \varnothing 11 $\frac{m}{m}$ ×14 thick 6,5 $\frac{m}{m}$ (cowel)
50086	1	Inner tube	17187	22	Ball \varnothing 5,55 $\frac{m}{m}$
HUB					
378	1	Nut, cam lever \varnothing 7 $\frac{m}{m}$ ×100	17285	S.A.	Pair of jaw \varnothing 80 $\frac{m}{m}$
580	1	Hub nut	17294	1	Cam lever
14538	2	Spring, brake shoes	17295	2	Cup \varnothing 29,8 $\frac{m}{m}$
14623	1	Tongued washer	17296	2	Oil deflector \varnothing inner = 18,5 $\frac{m}{m}$ \varnothing outer = 29,8 $\frac{m}{m}$
14625	2	Plain washer \varnothing inner 11 $\frac{m}{m}$	19233	S.A.	Front hub complete
			19234	1	Front hub body stripped
			19235	S.A.	Jaw flange complete
			19236	1	Jaw flange stripped
			19237	1	Cam, front brake
			19238	1	Fixed point (to be rivetted)

MOBYLETTE Types AV or AU 49 - 46

REAR WHEEL AND HUB "PRIOR"

∅ 80 ^m/_m



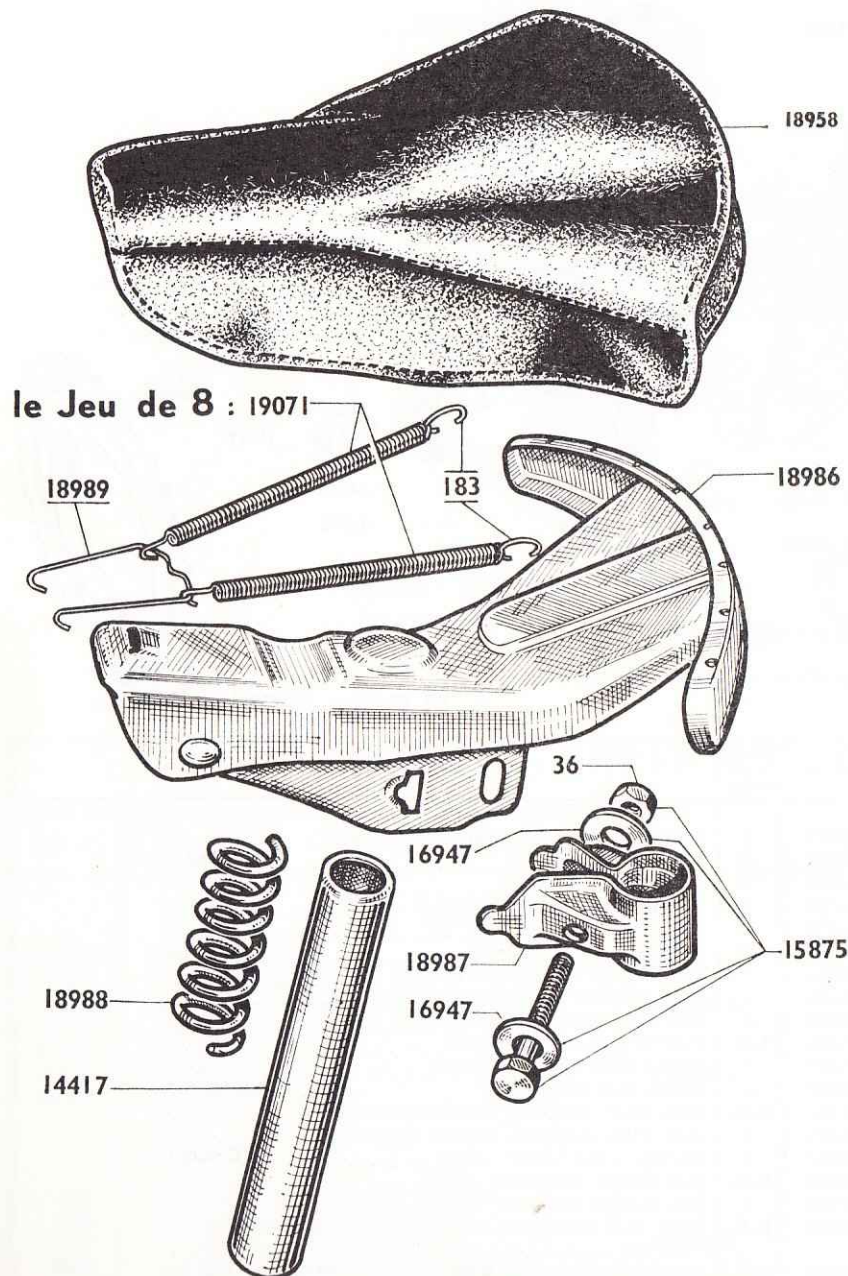
Moyeu arrière complet "Prior" ∅ 80 ^m/_m {
 44 Dents AV 46 ou AU 46 : 20089
 54 Dents AV 49 ou AU 49 : 19893

44 Dents : 20090
 54 Dents : 20093

Reprinting forbidden

Part N°	Quantity per machine	DESCRIPTION	Part N°	Quantity per machine	DESCRIPTION
WHEEL					
15536	1	Tyre 23×2	14295	1	Dust deflector ∅ outer=30 ^m / _m
15538	1	Rim tape	14538	2	Jaw spring (Cond.)
17344	1	Rim 23×2	14626	2	Plain washer
17859	36	Nipple, gauge 18 (Cond.)	14648	1	Distance piece ball bearing L=53 ^m / _m
19595	36	Spoke 17×17×18 ^m / _m L=198 ^m / _m (Cond.)	14916	1	Cam lever
19894	S.A.	Rear wheel complete with sprocket 54 teeth	15179	2	Hub nut ∅10 ^m / _m ×100 ^m / _m (Cond.)
20088	S.A.	Rear wheel complete with sprocket 44 teeth (AV or AU 49)	15244	1	Freewheel 18 teeth 34,7×100
50086	1	Inner tube	16108	1	Felt washer ∅16,5 ^m / _m ×30 ^m / _m ×5/10 ^m / _m
HUB					
378	1	Cam lever nut ∅7×100 ^m / _m	16994	6	Bolt rear sprocket ∅6 ^m / _m ×10 ^m / _m ×20 ^m / _m (Cond.)
406	2	Plain washer ∅10 ^m / _m ×18 ^m / _m ×10/10 ^m / _m (Cond.)	17285	S.A.	Pair of jaw ∅80 ^m / _m PRIOR
671	2	Ball bearing 10 ^m / _m ×30 ^m / _m ×9 ^m / _m	17293	1	Fixed point (to be rivetted)
946	1	Hub nut 10 ^m / _m ×100 ^m / _m ×8 ^m / _m	18000	1	Brake cam with nut (Cond.)
948	1	Lock nut, inner 10 ^m / _m ×100 ^m / _m ×4 ^m / _m	18257	S.A.	Hub shell complete without sprocket
1309	1	Hub washer 10 ^m / _m ×18 ^m / _m ×10/10 ^m / _m	18258	1	Hub shell stripped without sprocket
4372	1	Felt	18962	1	Spring, cam lever (Cond.)
14290	1	Rear hub axle stripped ∅10 ^m / _m	19458	S.A.	Jaw flange complete ∅80 ^m / _m
14292	1	Lock nut, ball bearing	19459	1	Jaw flange stripped ∅80 ^m / _m
14293	2	Distance piece ∅inner=10 ^m / _m - thick=6 ^m / _m	19893	S.A.	Rear hub complete with sprocket 54 teeth (AV or AU 49)
			20089	S.A.	Rear hub complete with sprocket 44 teeth (AV or AU 46)
			20090	1	Rear sprocket 44 teeth, bore=94 ^m / _m (AV or AU 46)
			20093	1	Rear sprocket 54 teeth, bore=94 ^m / _m (AV or AU 49)

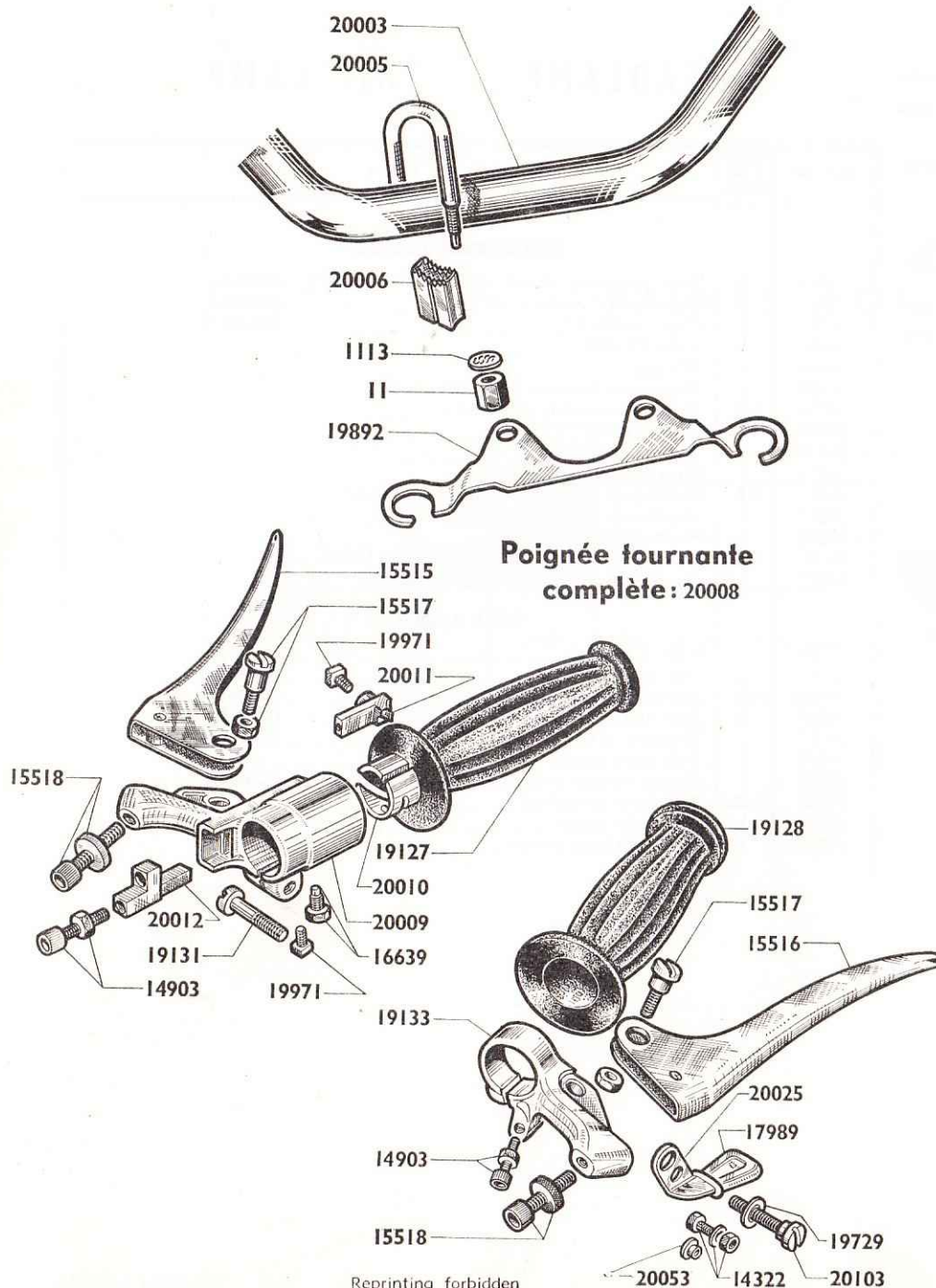
SADDLE



Saddle complete : 18957

Part N°	Quantity per machine	DESCRIPTION	
36	1	Nut $\varnothing 8\frac{m}{m} \times 100$	(Cond.)
183	8	Rear hook (short)	(Cond.)
14417	1	Seat pillar $\varnothing 25,5\frac{m}{m}$	
15875	1	Bolt, seat pillar clip 8×100 L = $56\frac{m}{m}$	(Cond.)
16947	2	Plain washer for 15875	(Cond.)
18957	S.A.	Saddle complete	
18958	1	Saddle cover, black	
18986	1	Saddle frame	
18987	1	Clip, seat pillar	
18988	1	Central spring	
18989	1	Front hook	
19071	1	Set of 8 springs	

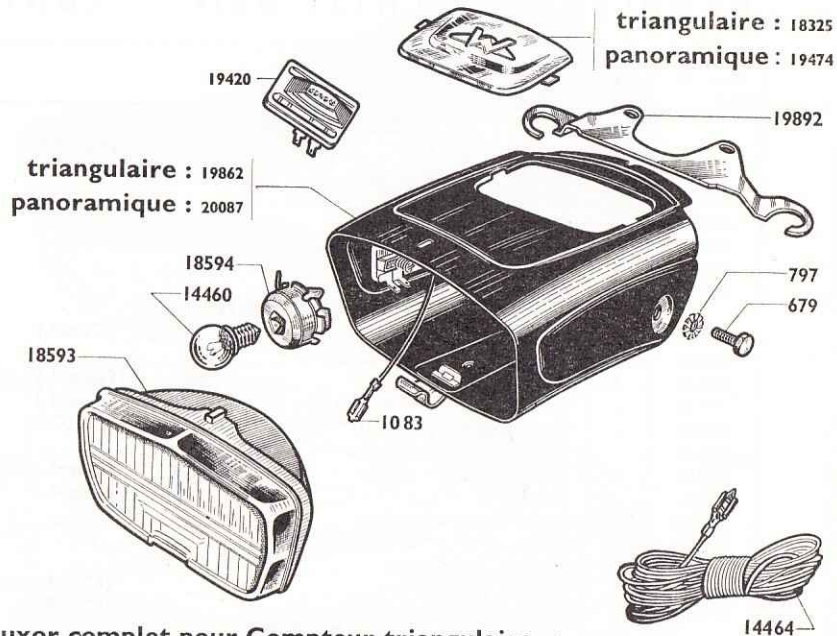
HANDLEBAR - TWIST GRIP - CONTROLS



Reprinting forbidden

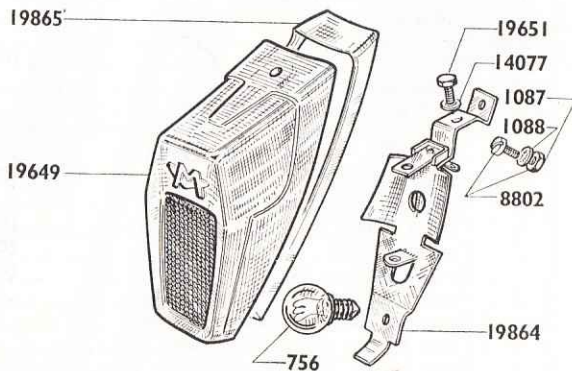
Part N°	Quantity per machine	DESCRIPTION
HANDLEBAR		
11	4	Nut $\varnothing 7\frac{m}{m} \times 100$ (Cond.)
1113	4	Nomel washer $\varnothing 7\frac{m}{m}$ (Cond.)
20003	1	Handlebar, bare
20004	S.A.	Handlebar complement
20005	2	U clamp (2)
20006	2	U clamp spacer
20007	S.A.	Handlebars fastening
R.H. TWIST GRIP		
14903	1	Decompressor adjuster (Cond.)
15515	1	R.H. brake lever
15517	1	Lever axle with nut (Cond.)
15518	1	Adjuster nipple for brake lever, with nut (Cond.)
16639	1	Securing screw with nut $\varnothing 5\frac{m}{m} \times 90 \times 12,5\frac{m}{m}$ (C.)
19127	1	Rubber grip R.H. (black)
19131	1	Twist grip set screw $\varnothing 6\frac{m}{m} \times 100 \times 20\frac{m}{m}$ (Cond.)
19971	2	Screw $\varnothing 4\frac{m}{m} \times 75 \times 8\frac{m}{m}$ (Cond.)
20008	S.A.	Twist grip complete
20009	1	Twist grip body
20010	1	Sleeve, twist grip
20011	1	Slider, throttle (Cond.)
20012	1	Slider, decompressor (Cond.)
L.H. GRIP		
14322	1	Choke cable clamp (Cond.)
14903	1	Decompressor adjuster (Cond.)
15516	1	L.H. brake lever
15517	1	Lever axle with nut (Cond.)
15518	1	Adjuster nipple for brake lever with nut (Cond.)
17989	1	Plastic cap, choke lever
19128	1	Rubber grip L.H. (black)
19133	1	L.H. grip body
19729	1	Onduflex washer $\varnothing 8\frac{m}{m} \times 13\frac{m}{m}$
20025	1	Choke lever
20053	1	Axle end (Cond.)
20054	S.A.	Choke lever complete
20069	S.A.	Brake lever body complete L.H.
20103	1	Securing screw brake lever body $\varnothing 6\frac{m}{m} \times 100 \times 24\frac{m}{m}$ (C.)
CONTROLS		
716	2	Solderless nipple (Cond.)
14334	1	Throttle control complete
14927	1	Choke cable (Cond.)
14927	1	Throttle cable (Cond.)
14974	1	Decompressor cable (Cond.)
15576	1	Choke control complete
15578	1	Decompressor control complete
15579	1	Front brake control complete
15580	1	Rear brake control complete
15599	1	Front brake cable (Cond.)
15600	1	Rear brake cable (Cond.)
16944	1	Outer casing shouldered decompressor (Cond.)
19892	1	Control guide

Reprinting forbidden



Phare Luxor complet pour Compteur triangulaire : 19861

Phare Luxor complet pour Compteur panoramique : 20086



Lanterne arrière complète : 19863

HEADLAMP - TAIL LAMP

Part N°	Quantity per machine	DESCRIPTION
HEADLAMP LUXOR		
679	2	Side securing screw $\varnothing 6\frac{m}{m} \times 100\frac{m}{m} \times 15\frac{m}{m}$. (Cond.)
797	2	Shakeproof washer $\varnothing 6\frac{m}{m}$. (Cond.)
1083	2	Clip, width $5\frac{m}{m}$. (Cond.)
14460	1	Bulb 6V-6W .
14464	1	Wiring .
18325	1	Plug speedometer hole (triangular) .
18593	S.A.	Optical assembly complete .
18594	1	Bulb holder .
19420	1	Switch complete .
19474	1	Plug speedometer hole .
19861	S.A.	Headlamp complete (triangular hole) .
19862	1	Headlamp shell (triangular hole) .
19892	1	Control guide .
20086	S.A.	Headlamp complete (rectangular hole) .
20087	1	Headlamp shell (rectangular hole) .
TAIL LAMP		
756		Bulb 6 V - 1,8 .
1087	2	Nut $\varnothing 4\frac{m}{m} \times 75\frac{m}{m}$. (Cond.)
1088	2	Nomel washer $\varnothing 4\frac{m}{m}$. (Cond.)
8802	2	Bolt, tail light socle $\varnothing 4\frac{m}{m} \times 75\frac{m}{m}$ L = $6\frac{m}{m}$. (Cond.)
14077	1	Washer $\varnothing 4,2\frac{m}{m} \times 8\frac{m}{m}$ - thick = $8/10\frac{m}{m}$. (Cond.)
19649	1	Tail light cover .
19651	1	Cover screw $\varnothing 4\frac{m}{m} \times 70\frac{m}{m}$ - L = $7\frac{m}{m}$. (Cond.)
19863	S.A.	Tail light complete .
19864	1	Tail light socle .
19865	1	Joint, tail light cover .

PAINTS FOR RETOUCH

	DESCRIPTION	
1448	Spray bomb "grey silver"	
1463	Tin 1/10 "grey silver"	
1449	Tin 500 gr "grey silver"	
1459	Tin 1 kg "grey silver"	

GUARANTEE

Our Mobylettes are guaranteed for 6 months and this guarantee exclusively concerns the replacement or the reconditioning of the defective parts.

On the other hand, this guarantee involves no liability from our part, should an accident occur to anybody.

Labour as well as transport costs are for customer's account. Furthermore, all "Mobylette" which have been transformed, lose the benefice of the guarantee.

Parts and accessories which are not manufactured by our factory are guaranteed by their own manufacturer.

Springs, bulbs, lens, controls, are not guaranteed.

HOW DOES THE GUARANTEE OPERATE ?

For any guarantee claim, it is necessary to indicate us :

- 1°) the frame and engine numbers
- 2°) the date of sale to the customer
- 3°) the mileage effected
- 4°) the quality and mark of the oil used

In fact, we are proceeding as follows : the guarantee is our Agents Responsibility and it is left to their discretion.

Every 6 months, our Agents have to send us a list mentionning all the replacements effected and showing all the above particulars.

All parts replaced are to be kept by our Agent for a period of 6 months, reckoning from the dispatch of the list of replacements in question, in order that we may be able to examine them if necessary.

On receipt of this list, we shall decide :

- whether the exchange of the parts is accepted, and if so, our Agent's account will be credited with the value (ex-works) of the part,
- or whether certain parts are to be sent back for examination. In such a case the return charges are borne by our Agents.

GUARANTEE

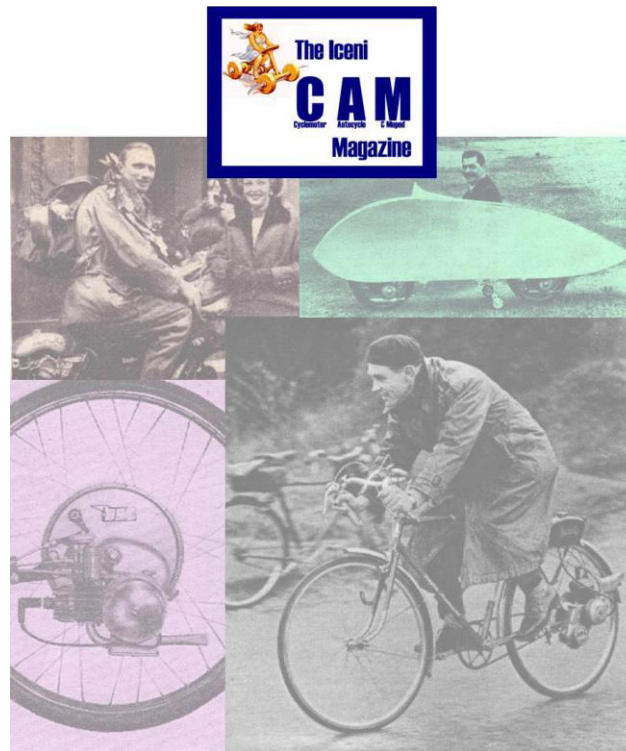
The undersigned hereby warrants that the above described property is his own and that he has full power to dispose of the same and that the same is free from all liens and encumbrances.

WARRANTY OF TITLE

The undersigned hereby warrants that the above described property is his own and that he has full power to dispose of the same and that the same is free from all liens and encumbrances.



IceniCAM On-Line Library



www.icenicam.org.uk