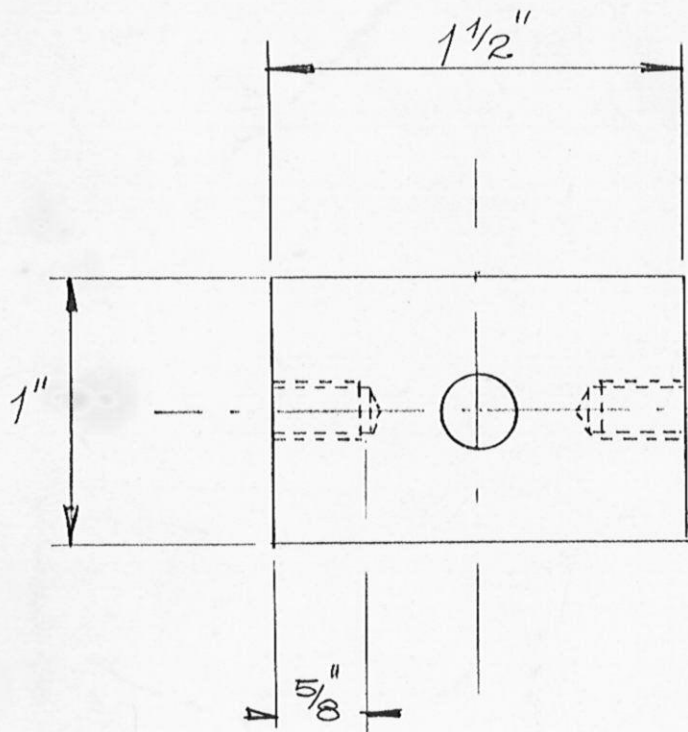


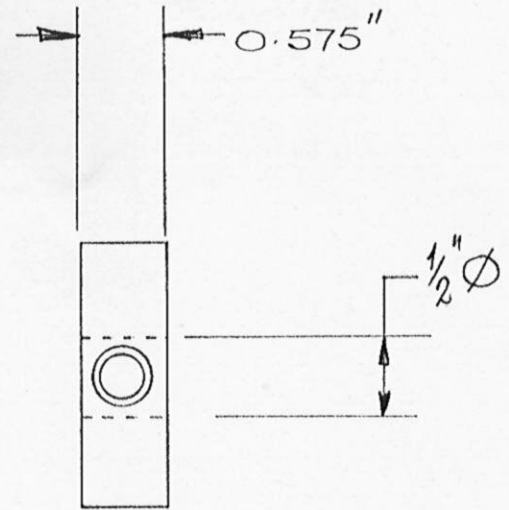
SHEET 1 OF 2.

CYCLAID MOUNTING BRACKET

MATL 8- MILD STEEL.



$\frac{5}{16}$ " B.S.F.



SHEET 2 OF 2.

BLOCK (CYCLAD)

MATL :- MILD STEEL.