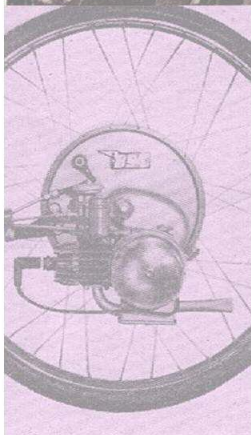


IceniCAM Information Service



www.icenicam.org.uk

B.E.C. CARBURETTER

TYPE B1

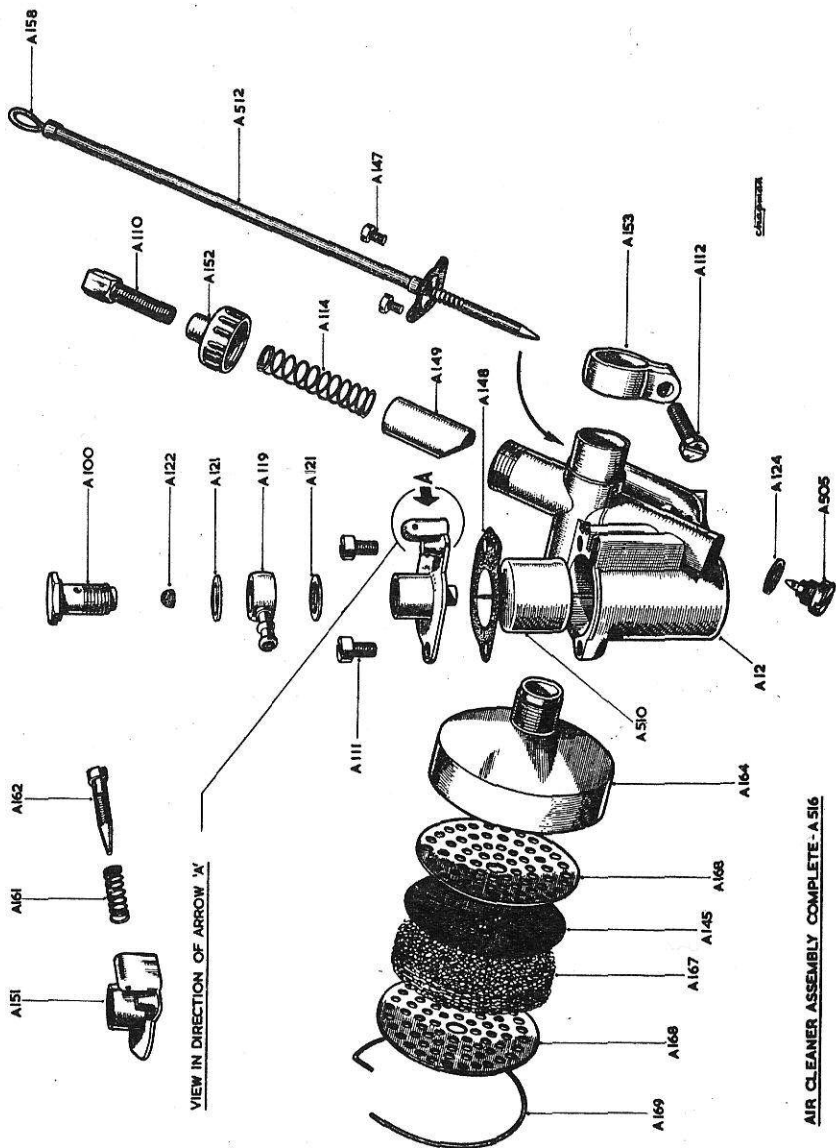
These carburetters are of the inclined type B1. Easy starting from cold is provided by lifting ring (A) for 5 seconds and letting drop again. This raises a needle valve from its seating and allows petrol to flow into a special starting chamber (B) up to the same level of petrol as in the float chamber. No matter how long the ring (A) is held up, the petrol flowing into the starting chamber is fixed in quantity.

When the engine is started from cold it draws petrol from this chamber to the starting jet (C) which is larger than the normal jet, thus supplying a very rich mixture. This is used up in a short while by which time the engine is warm enough to run on the normal jet which then comes into action.

Air bleed screw (D) adjusts the amount of air leak to the communication hole just above the main jet. Turning fully to the right gives maximum richness of mixture, whilst turning to the left weakens it off. The normal position should be one turn out from fully closed but this can vary according to the engine condition.

BLETCHLEY ENGINEERING CO., LTD.
798 WESTON ROAD, TRADING ESTATE SLOUGH, BUCKS.

Telephone : Slough 20052



NOTE

When ordering spare parts, type no. of carburetter should be quoted
 This number is embossed on the side of the starting well

B.E.C. CARBURETTER

BI

— SPARE PARTS & PRICE LIST —

PART NO.	DESCRIPTION	PRICE
A12	Carburetter Body	16. 0
A100	Bolt (Banjo) Petrol	1. 6
A110	Screw—Cable adjusting	. 8
A111	„ Cover to Body	. 2
A112	„ Manifold Clamp	. 2
A114	Spring-Throttle	. 4
A119	Banjo Union Petrol	1. 6
A121	Washer-Banjo	. 2
A122	Petrol Filter Gauze	. 6
A124	Jet Washer	. 2
A145	Gauze-air Filter	.10
A147	Screw-Starting Cover	. 2
A148	Gasket (cover to Body)	. 2
A149	Throttle	2. 6
A151	Cover and seating assembly	3. 6
A152	Cap-Throttle	1. 2
A153	Clamp (Split) Manifold	2. 0
A158	Eyelet-Starting Needle	. 4
A161	Spring-Mixture Control	. 4
A162	Screw „ „	. 9
A164	Body - air filter	3. 0
A167	Pack „	1. 4
A168	Disc „ [perforated]	1. 6
A169	Circlip „	. 6
A505	Jet assembly—state size	4. 0
A510	Float & Needle assembly	2. 6
A512	Starting needle & cover assy.	3. 0
A516	Air Filter complete	6. 0
BI	Complete Spare Carburetter	£1.10.0

Reconditioned Service Carburetter in exchange
for existing one

7. 6

plus cost of replaced parts

