

4572

AUTO VAP

ILLUSTRATED PARTS BREAKDOWN

FOR MOTORCYCLE "AUTO-VAP"

SOLE UNITED KINGDOM AND COMMONWEALTH CONCESSIONAIRES

Telephone :
LIMETREE 222

Sales and Service Headquarters :

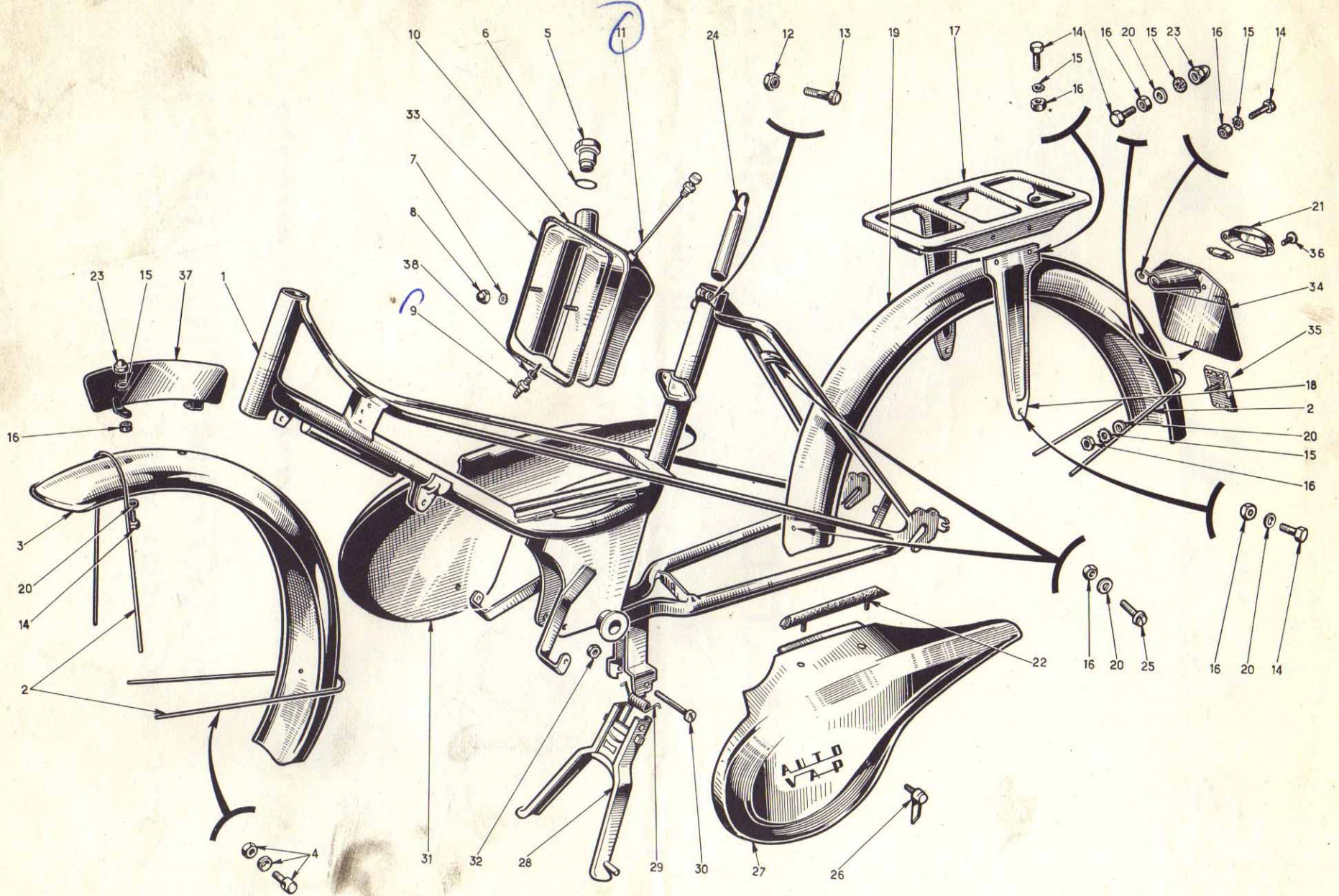
SCOOTAMATIC LTD

• Telegrams :
• SCOOTAMATIC
NOTTINGHAM

GLAISDALE DRIVE WEST, ASPLEY, NOTTINGHAM

32

FRAME STD

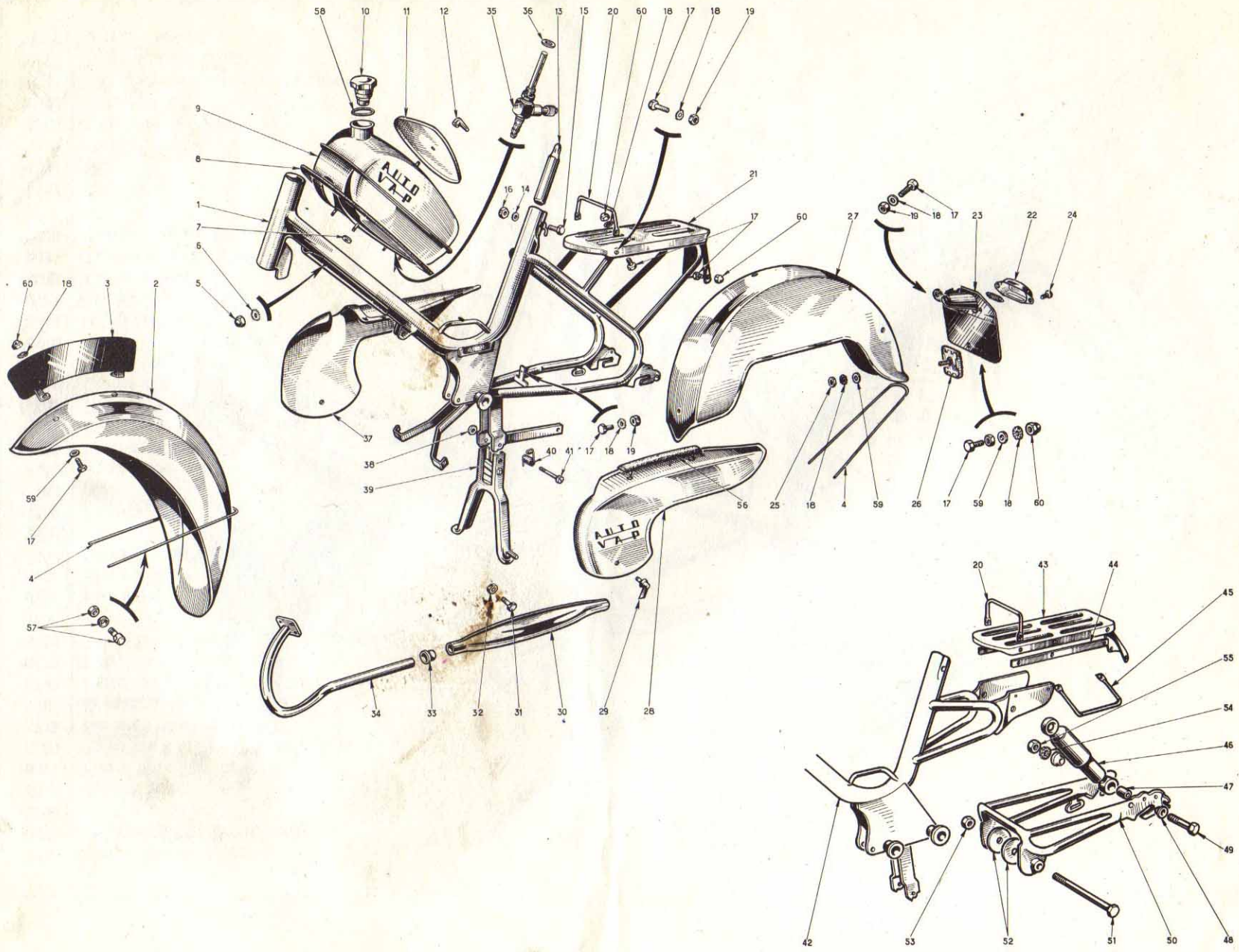


FRAME STD

INDEX N°	Référence	DESCRIPTION
1	6375	Frame (standard model)
2	6074	Mudguard stay (front rear)
3	6060	Front mudguard
4	6076	Eyebolt assy
5	6091	Petrol tank filler cap
6	6180	Petrol tank filler cap sealing washer
7	773	Serrated washer
8	6093	Domet nut 6
9	6182	Petrol tank body compl. with filler
10	6178	Petrol tank
11	6183	Petrol tap operating rod c/w gland nut
12	6336	Nut
13	6334	Bolt 8 x 30
14	6110	Bolt 5 x 10
15	507	Serrated washer
16	506	Nut
17	34782	Rear carrier
18	34783	Strut
19	6061	Rear mudguard
20	113548	Washer (C5 plain)
21	6240	Rear lamp cover with lens
22	6088	Rubber protector for fairing
23	6080	Domet nut 5
24	34877	Seat pillar
25	6370	Bolt
26	6344	Wing bolt
27	6113	LH fairing
28	6078	Center stand
29	6081	Return spring stand
30	6079	Center stand pivot bolt
31	6112	R H fairing
32	34994	Nut
33	6179	Plastic strip
34	6239	Rear number plate only
35	6242	Reflector refléx
36	6241	Fixing screw for rear lamp cover
37	6237	Front number plate
38	34894	Fiber washer

APLINS
 395 BATH ROAD
 BRISTOL, 4
 TEL: 77376

FRAME DL SDL DL 2 P SDL 2 P



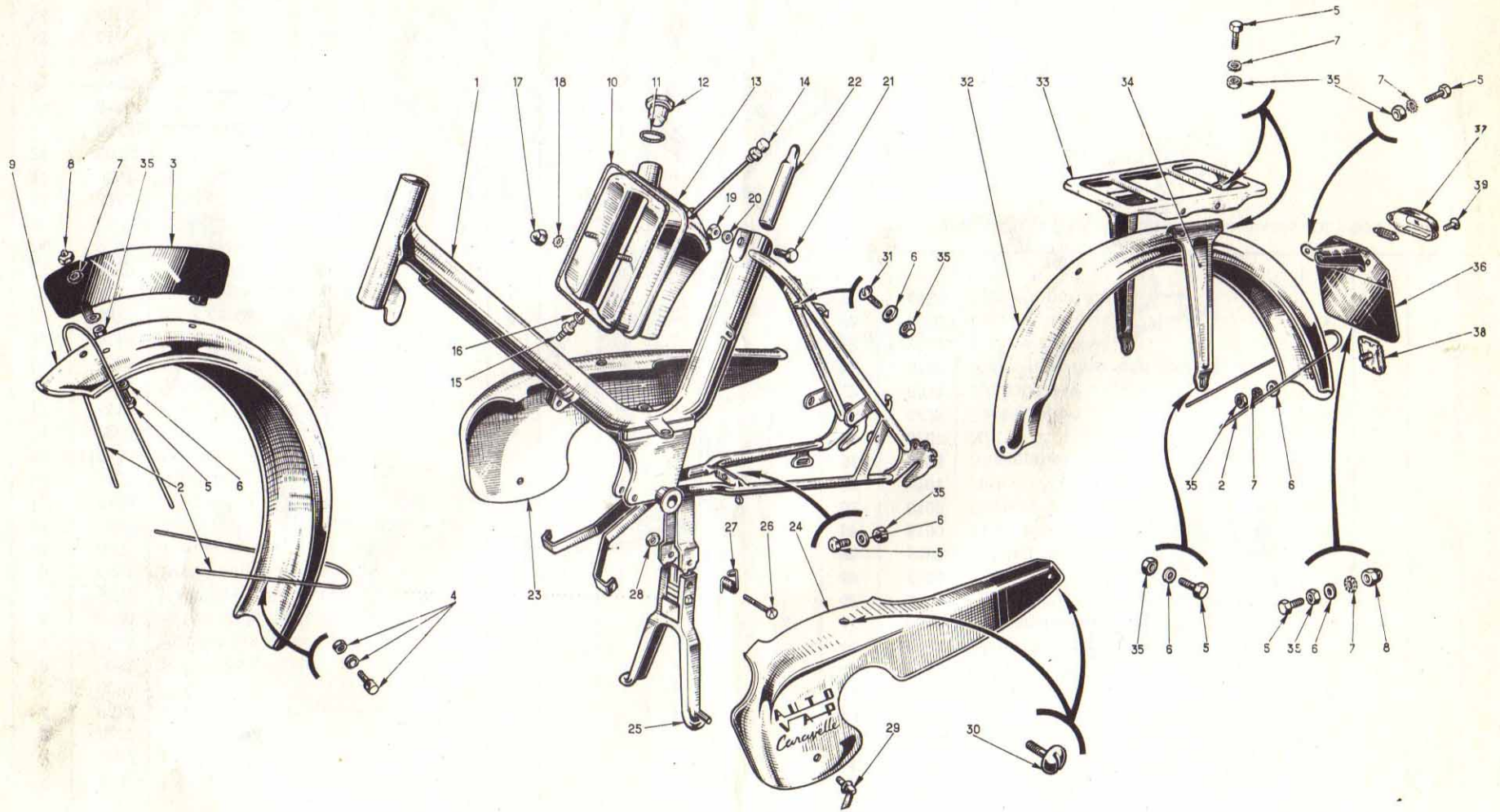
FRAME DL SDL DL 2P SDL 2P

INDEX N°	Référence	DESCRIPTION	APPLICABILITY			
			DL	SDL	DL 2P	SDL 2P
1	6082	Frame	•		•	
2	6062	Front mudguard	•	•	•	•
3	6237	Front number plate	•	•	•	•
4	6074	Mudguard stay	•	•	•	•
5	6093	Domet nut	•	•	•	•
6	773	Shakeproof washer	•	•	•	•
7	6094	Rubber buffer	•	•	•	•
8	6090	Petrol tank plastic bead	•	•	•	•
9	6089	Petrol tank	•	•	•	•
10	6091	Petrol tank filler cap	•	•	•	•
11	6092	Tool box lid	•	•	•	•
12	6087	Wing nut	•	•	•	•
13	6109	Seat pillar ø 25,8	•	•	•	•
14	6350	Plain washer	•	•	•	•
15	112848	Screw	•	•	•	•
16	113206	Nut	•	•	•	•
17	6110	Screw 5 x 10	•	•	•	•
18	507	Serrated washer	•	•	•	•
19	506	Nut ø 5	•	•	•	•
20	6119	Tubular handle	•	•	•	•
21	6371	Rear carrier	•	•	•	•
22	6240	Rear lamp cover with lens	•	•	•	•
23	6239	Rear number plate only	•	•	•	•
24	6241	Fixing screw for rear lamp cover	•	•	•	•
25	6347	Nut ø 5	•	•	•	•
26	6242	Reflex	•	•	•	•
27	6063	Rear mudguard	•	•	•	•
28	6086	LH Fairing	•	•	•	•
29	6344	Wing bolt	•	•	•	•
30	6149	Silencer assy	•	•	•	•
31	6152	Screw	•	•	•	•
32	6153	Nut	•	•	•	•
33	6151	Rubber bush for silencer	•	•	•	•
34	6150	Exhaust pipe for silencer	•	•	•	•
35	6096	Petrol tap	•	•	•	•
36	34894	Fiber washer	•	•	•	•
37	6085	RH fairing	•	•	•	•
38	34994	Nut	•	•	•	•
39	6078	Center stand	•	•	•	•

INDEX N°	Référence	DESCRIPTION	APPLICABILITY			
			DL	SDL	DL 2P	SDL 2P
40	6081	Return spring stand	•	•	•	•
41	6079	Center stand pivot bolt	•		•	•
42	6083	Frame	•	•	•	•
43	6116	Rear carrier	•	•	•	•
44	6118	Strengthening strips	•	•	•	•
45	6117	Tubular stay	•	•	•	•
46	6103	Shock absorber rear	•	•	•	•
47	6372	Spacer, rear shock	•	•	•	•
48	6104	Rubber bush	•	•	•	•
49	6106	Bolt	•	•	•	•
50	6099	Pivoted fork	•	•	•	•
51	6100	Pivot spindle	•	•	•	•
52	6102	Friction damper disc	•	•	•	•
53	6101	Nut	•	•	•	•
54	6108	Shakeproof washer	•	•	•	•
55	6107	Nut	•	•	•	•
56	6475	Foot support	•	•	•	•
57	6076	Eyebolt assy	•	•	•	•
58	6180	Petrol tank filler cap sealine	•	•	•	•
59	113548	Plain washer	•	•	•	•
60	6080	Domed nut	•	•	•	•
61	6520	Foot support rear			•	•

NOTE : The linkage Index 4 N° 6074 is not installed on models SDL - SDL 2P.

FRAME "CARAVELLE"



FRAME " CARAVELLE "

INDEX N°	Référence	DESCRIPTION
1	6494	Frame
2	6074	Mudguard stay (front rear)
3	6237	Front number plate
4	6076	Eyebolt assy
5	6110	Bolt 5x10
6	113548	Washer (c 5 plain)
7	507	Serrated Washer
8	6080	Domet nut
9	6060	Front Mudguard
10	6179	Plastic strip
11	6180	Petrol tank filler cap sealing washer
12	6091	Petrol tank filler
13	61780	Petrol tank
14	6183	Petrol tap operating rod c/w gland nut
15	6182	Petrol tap budy complete with filter
16	34894	Fiber washer
17	6093	Domet nut
18	773	Serrated washer
19	34993	Nut
20	114350	Washer
21	34991	Bolt
22	6109	Seat pillar
23	6495	RH fairing
24	6496	LH fairing
25	6078	Center stand
26	6079	Center stand pivot bolt
27	6081	Return spring for center stand
28	34994	Nut
29	6344	Wing bolt
30	6510	Bolt
31	6370	Bolt
32	6061	Rear mudguard
33	34783	Rear carrier
34	34782	Strut
35	506	Nut
36	6239	Rear number plate
37	6240	Rear lamp cover with lens
38	6242	Reflex

TELESCOPIC FORK ASSY

FRONT BRAKE

RIGID FORK

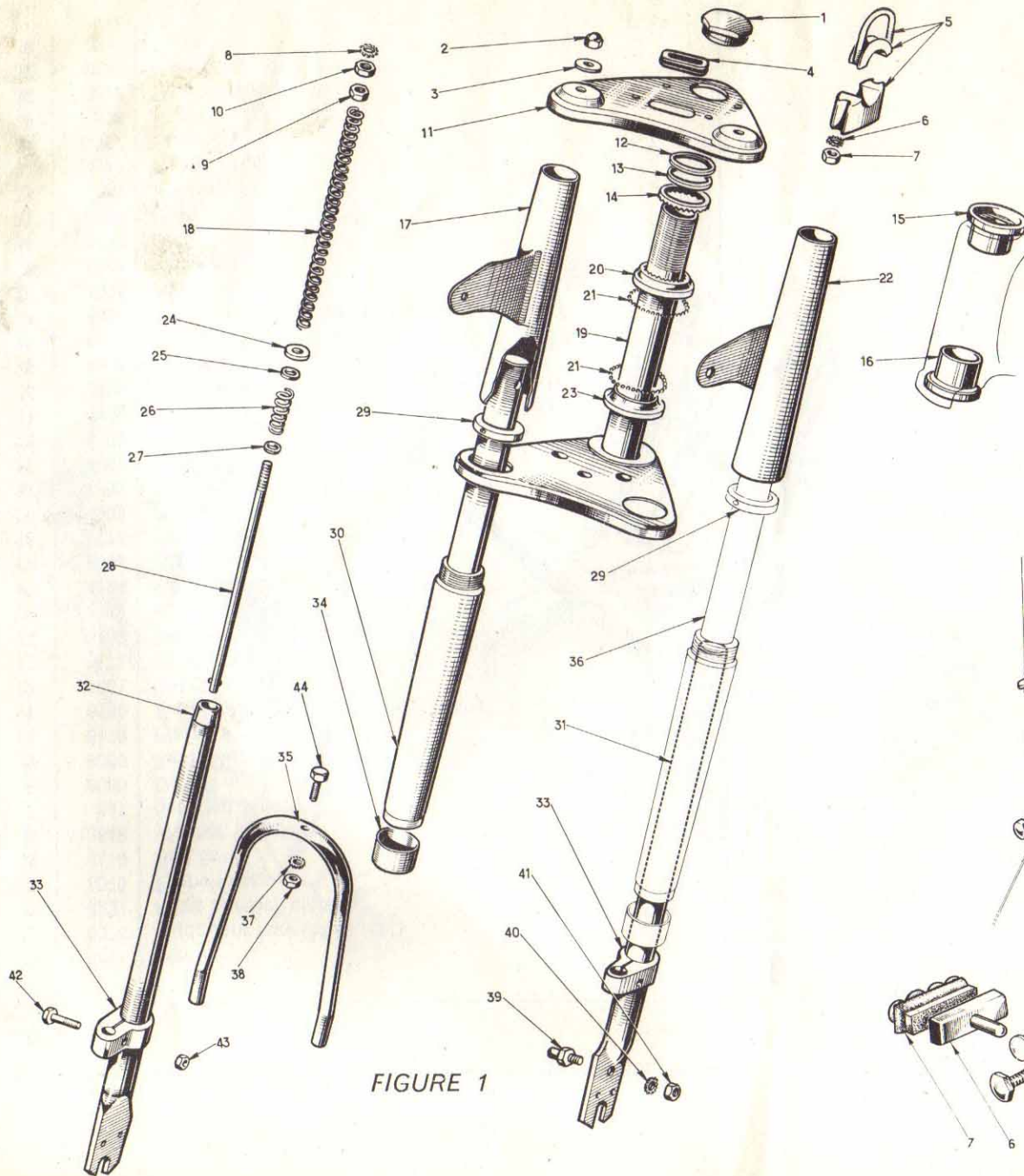


FIGURE 1

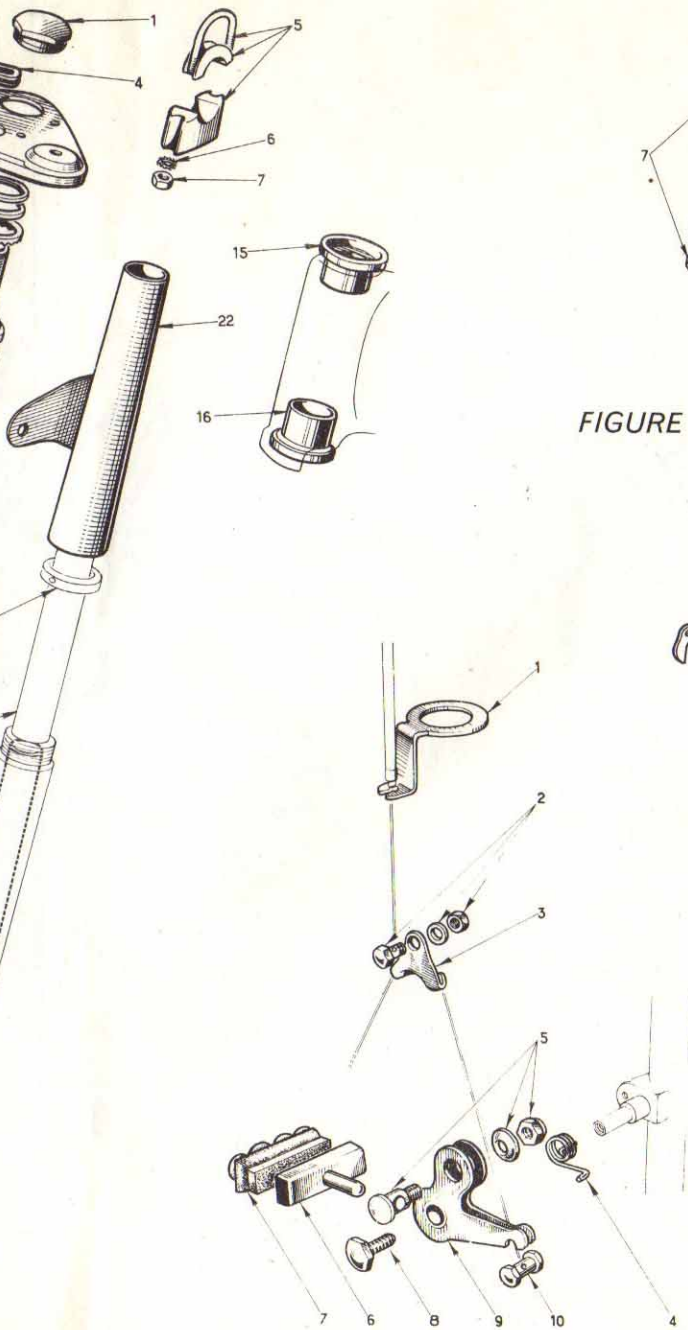


FIGURE 2

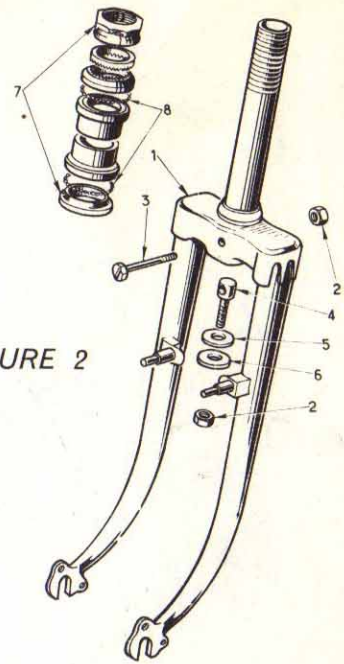


FIGURE 3

WHEEL ASSEMBLY

HUB ASSEMBLY

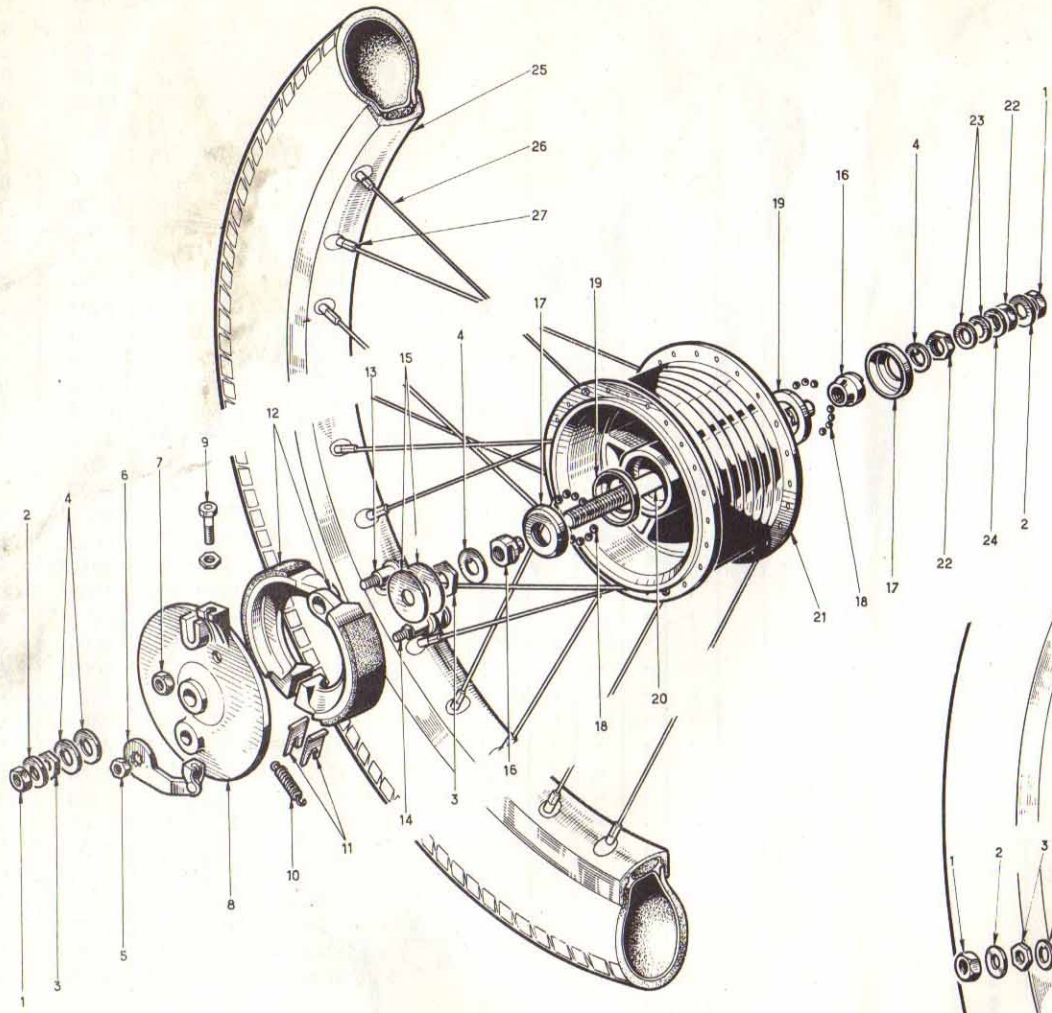


FIGURE 1

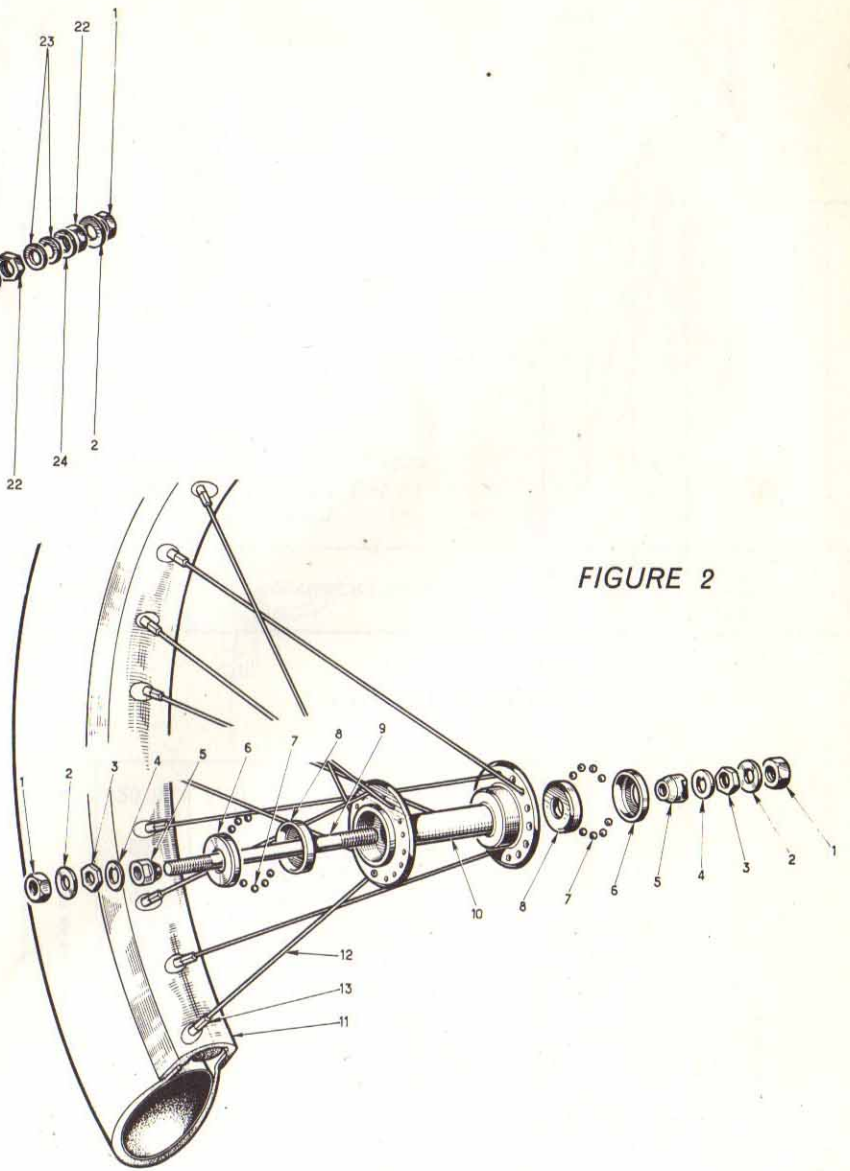
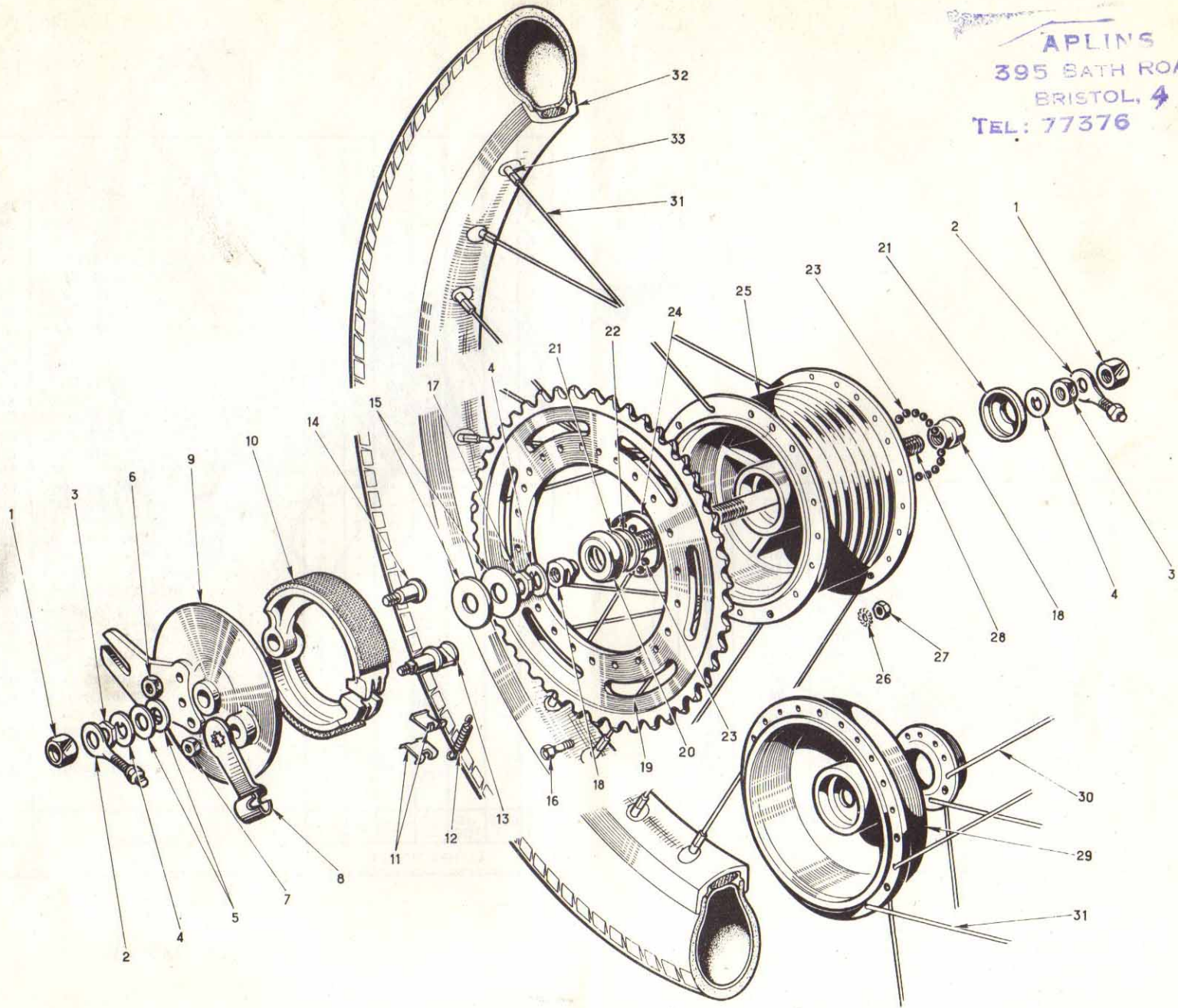


FIGURE 2

WHEEL ASSEMBLY

APLINS
395 BATH ROAD
BRISTOL, 4
TEL: 77376



WHEEL ASSEMBLY

INDEX N°	Référence	DESCRIPTION	APPLICABILITY							
			STD	DL	SDL	DL 2P	SDL 2P	C STD	C DL	
	6027A	Wheel assembly (without tyre, and inner tube	
	6027AB	Wheel assembly.....	
	6029A	Hub assembly	
	6333A	Hub assembly	
1	6032	Nut	
2	6056	Adjuster, chain	
3	6033	Nut	
4	6035	Washer, shakeproof.....	
5	6034	Washer, plain.....	
6	6051	Nut	
7	6048	Nut	
8	6047	Lever.....	
9	6043	Flange	
10	6044	Jaw	
11	6049	Plate	
12	6045	Spring	
13	6046	Axle, cam	
14	6050	Axle pin, articulation	
15	6053	Washer, as required 1 or 2	
16	6121	Screw.....	
17	6033	Nut	
18	6037	Cone.....	
19	6120	Crow cogged.....	
20	6039	Dust cover.....	
21	6041	Washer, steel.....	
22	6040	Felt pad	
23	6374	Ball, 1 set	
24	6038	Cup	
25	6030	Hub, body.....	
26	507	Washer, serrated	
27	506	Nut	
28	6031	Axle pin.....	
29	6373A	Hub body.....	
30	6490	Spoke	
31	6058	Spoke.....	
32	6028	Rim.....	
33	6059	Nut, spoke	

SADDLE REYDEL SADDLE TWO SEAT HANDLE BAR

L. H. HANDLE ASSY

R. H. HANDLE ASSY

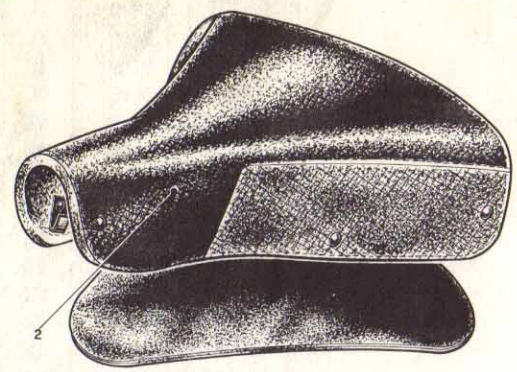


FIGURE 1

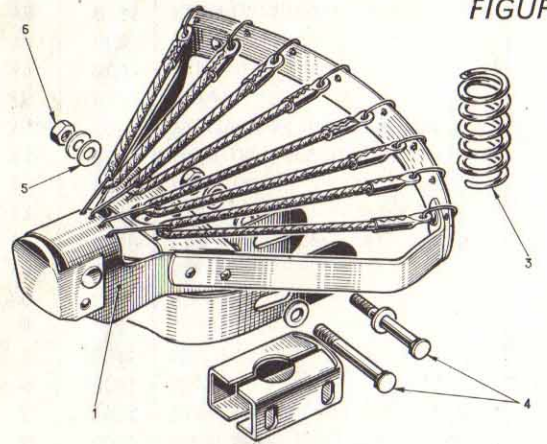


FIGURE 2

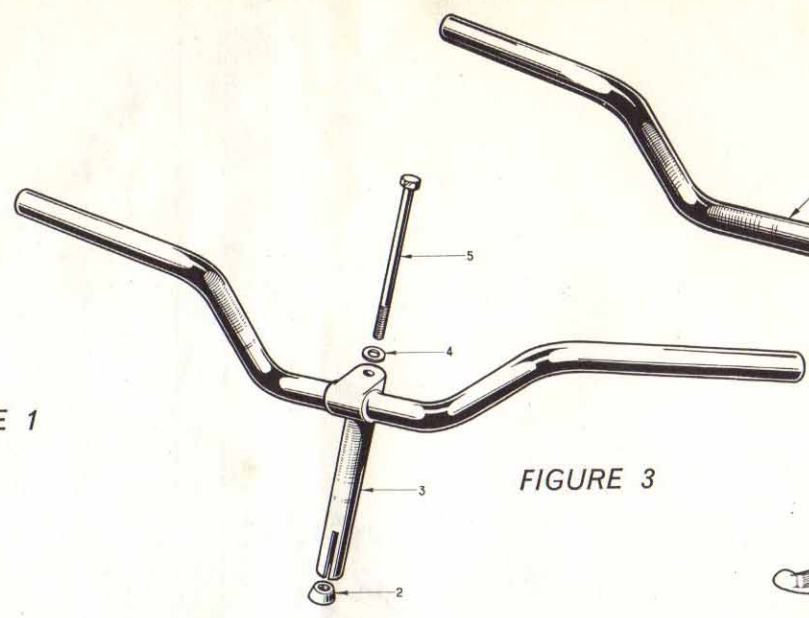
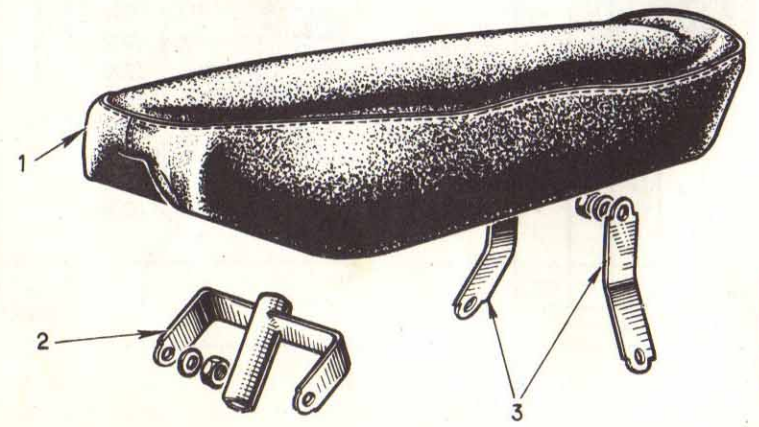


FIGURE 3

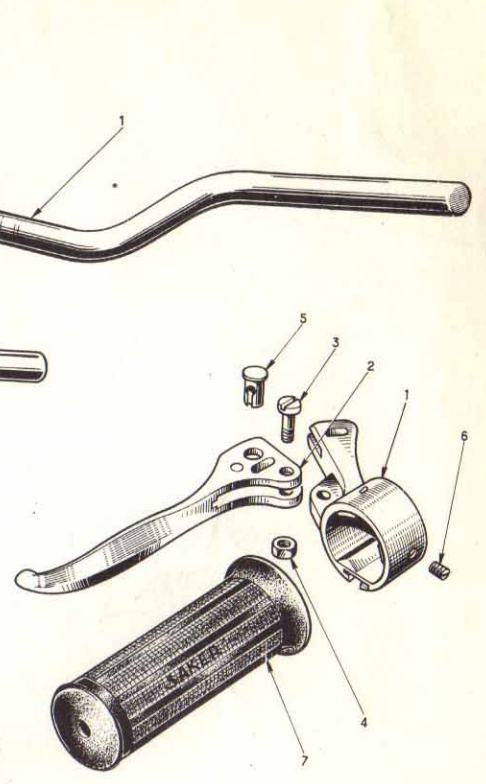


FIGURE 4

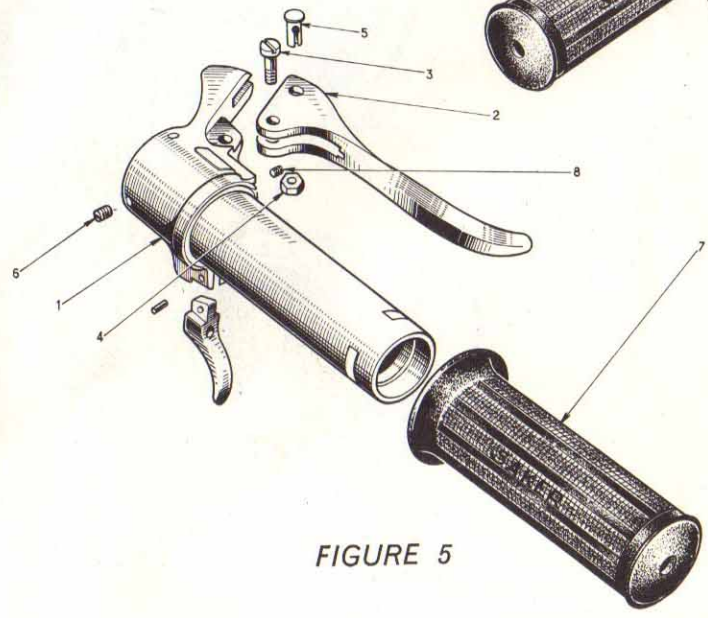


FIGURE 5

PEDAL ASSEMBLY

CHAIN ADJUSTER

FIGURE 1

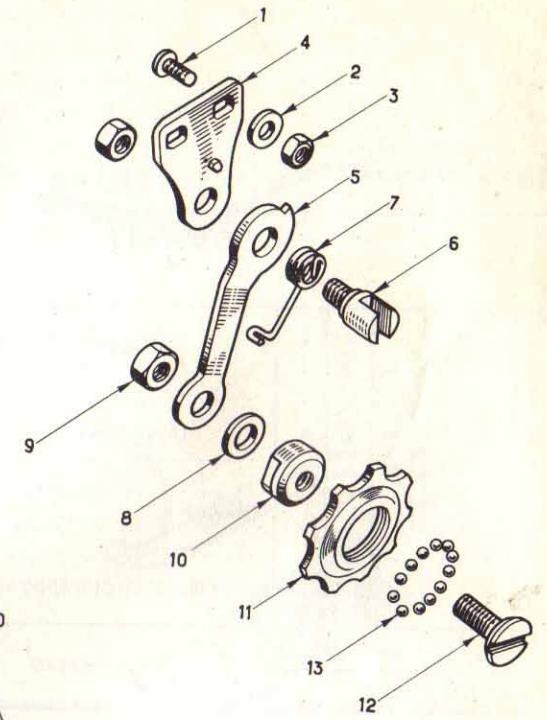
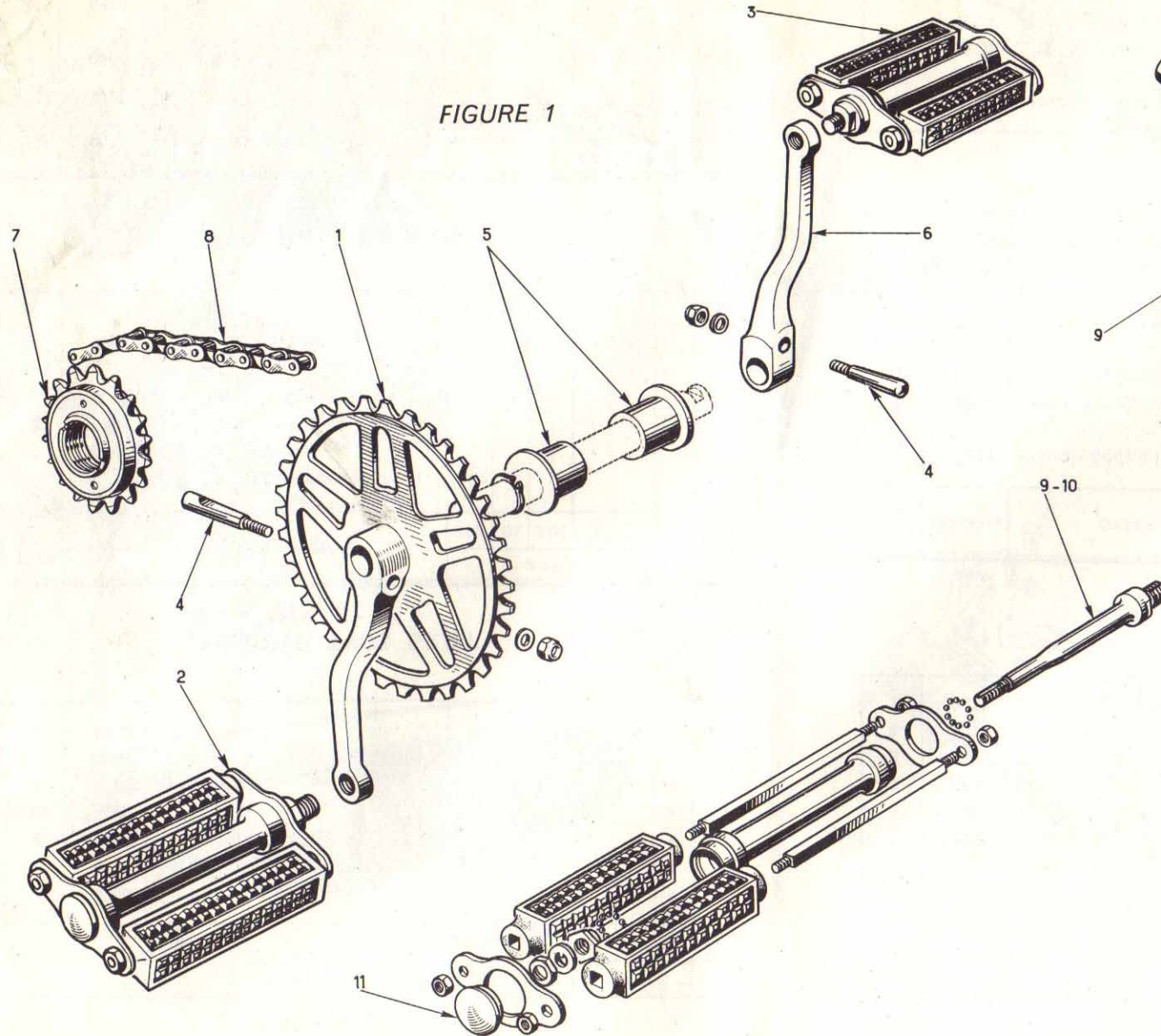


FIGURE 2

PEDAL ASSEMBLY

FIGURE 1

INDEX N°	Référence	DESCRIPTION	APPLICABILITY							
			STD	DL	SDL	DL 2P	SDL 2P	C STD	C DL	
1	6135	Crank RH w/disc.....	•	•	•	•	•	•	•	
2	6482	Pedal, R H	•	•	•	•	•	•	•	
3	6483	Pedal, L H	•	•	•	•	•	•	•	
4	33472	Key assy	•	•	•	•	•	•	•	
5	2809	Ring	•	•	•	•	•	•	•	
6	6136	Crank, L H.....	•	•	•	•	•	•	•	
7	6137	Free wheel, BSA.....	•	•	•	•	•	•	•	
8	6484	Chain	•	•	•	•	•	•	•	
9	6485	Axle pin, RH pedal w/cone ...	•	•	•	•	•	•	•	
10	6486	Axle pin, LH pedal w/cone ...	•	•	•	•	•	•	•	
11	6487	Cap, pedal	•	•	•	•	•	•	•	

CHAIN ADJUSTER

FIGURE 2

INDEX N°	Référence	DESCRIPTION	APPLICABILITY							
			STD	DL	SDL	DL 2P	SDL 2P	C STD	C DL	
	6139	Adjuster assy, articulated	•	•	•	•	•	•	•	
1	6130	Screw, fixing	•	•	•	•	•	•	•	
2	6141	Washer	•	•	•	•	•	•	•	
3	6131	Nut	•	•	•	•	•	•	•	
4	6140	Plate, support	•	•	•	•	•	•	•	
5	6142	Lever, articulated	•	•	•	•	•	•	•	
6	6143	Pivot	•	•	•	•	•	•	•	
7	6144	Spring	•	•	•	•	•	•	•	
8	6134	Washer	•	•	•	•	•	•	•	
9	6129	Nut	•	•	•	•	•	•	•	
10	6128	Cone.....	•	•	•	•	•	•	•	
11	6126	Roller	•	•	•	•	•	•	•	
12	6127	Axle pin ,roller	•	•	•	•	•	•	•	
13	2074	Ball ø 3,17.....	•	•	•	•	•	•	•	

MOTOR HORN ASSY N° 6512

HEADLAMP ASSY N° 6331 C

HEADLAMP ASSY N° 6223 AND 6224

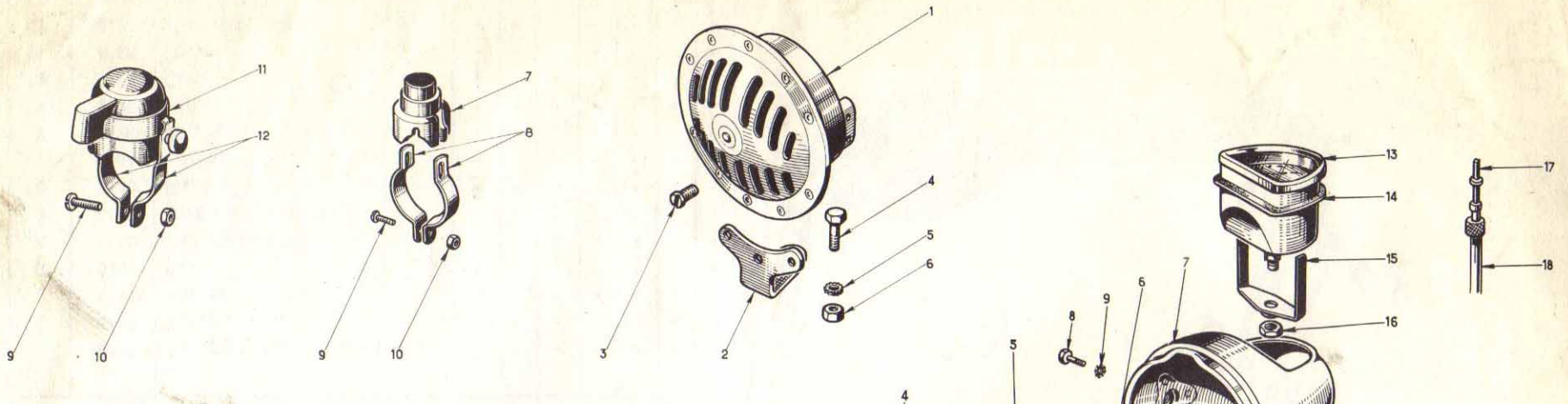


FIGURE 1

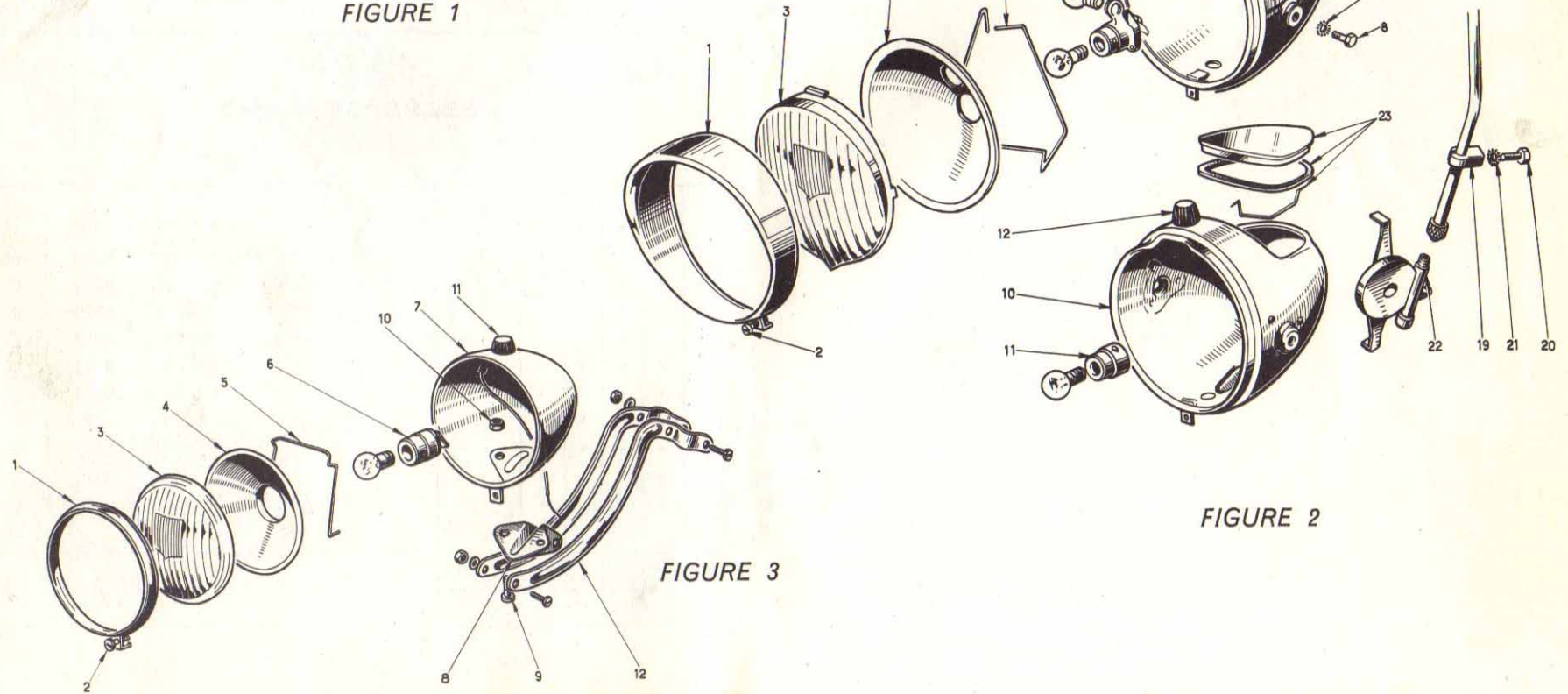


FIGURE 2

FIGURE 3

MOTOR HORN

FIGURE 1

INDEX N°	Référence	DESCRIPTION	APPLICABILITY							
			STD	DL	SDL	DL 2P	SDL 2P	C STD	C DL	
	6512	Motor horn Assembly, including	
1	6430	Motor horn	
2	6431	Mounting lug	
3	6432	Screw 4 x 75	
4	113594	Screw 6 x 10	
5	773	Lock washer	
6	255	Nut H 6	
	6513	Knob assembly, motor horn	
7	6433	Knob	
8	6434	Mouting clamp	
9	6435	Screw 3 x 60	
10	6436	Nut 3 x 60	
	6514	Switch Assembly	
9	6435	Screw 3 x 60	
10	6436	Nut 3 x 60	
11	6437	Switch	
12	6438	Clamp	

HEADLAMP ASSY N° 6223 COUNTER

FIGURE 2

INDEX N°	Référence	DESCRIPTION	APPLICABILITY							
			STD	DL	SDL	DL 2P	SDL 2P	C STD	C DL	
	6223	Headlamp assy	
	6224	Headlamp assy	
1	6228	Headlamp rim	
2	6229	Screw, rim, fixing	
3	6231	Glass, headlamp	
4	6232	Reflector	
5	6230	Spring (reflector retainer)	
6	6234	Holder, lamp	
7	6227	Body, Headlamp	
8	6235	Screw (Headlamp fixing)	
9	773	Shakeproof washer	
10	6226	Body, Headlamp	
11	6233	Holder, lamp	
12	80471	Switch assy	

COUNTER

INDEX N°	Référence	DESCRIPTION	APPLICABILITY							
			STD	DL	SDL	DL 2P	SDL 2P	C STD	C DL	
13	6456A	Counter	
14	6457	Gasket, rubber	
15	6458	Yoke, counter fixing	
16	6459	Nut	
17	6460	Cable, counter	
18	6461	Tubing	
19	6462	Clamp, tubing	
20	113594	Screw, clamp retainer	
21	773	Washer, shakeproof	
22	6463	Gear, counter drive	
23	6449	Cap, assy, counter filler	

(1) NOTE : The counter installation is optional on 6223 and 6224. If it is not installed, the opening should be obstructed by means of the assembly Index N° 23 Reference 6449.

APLINS
395 BATH ROAD
BRISTOL, 4
TEL: 77376

HEADLAMP ASSY N° 6331 C

FIGURE 3

INDEX N°	Référence	DESCRIPTION	APPLICABILITY							
			STD	DL	SDL	DL 2P	SDL 2P	C STD	C DL	
	6331 C	Headlamp assy (with brackets)	
1	6474	Rim, headlamp	
2	6349	Screw, fixing	
3	6473	Cover glass	
4	6472	Reflector, headlamp	
5	6471	Spring	
6	6233	Lamp socket	
7	6465	Headlamp body	
8	6407 C	Lug, mounting	
9	6408	Screw, fixing	
10	6466	Nut	
11	80471	Switch assy	
12	6489	Bracket assy (including screw and nut)	

IceniCAM Information Service



www.icenicam.org.uk