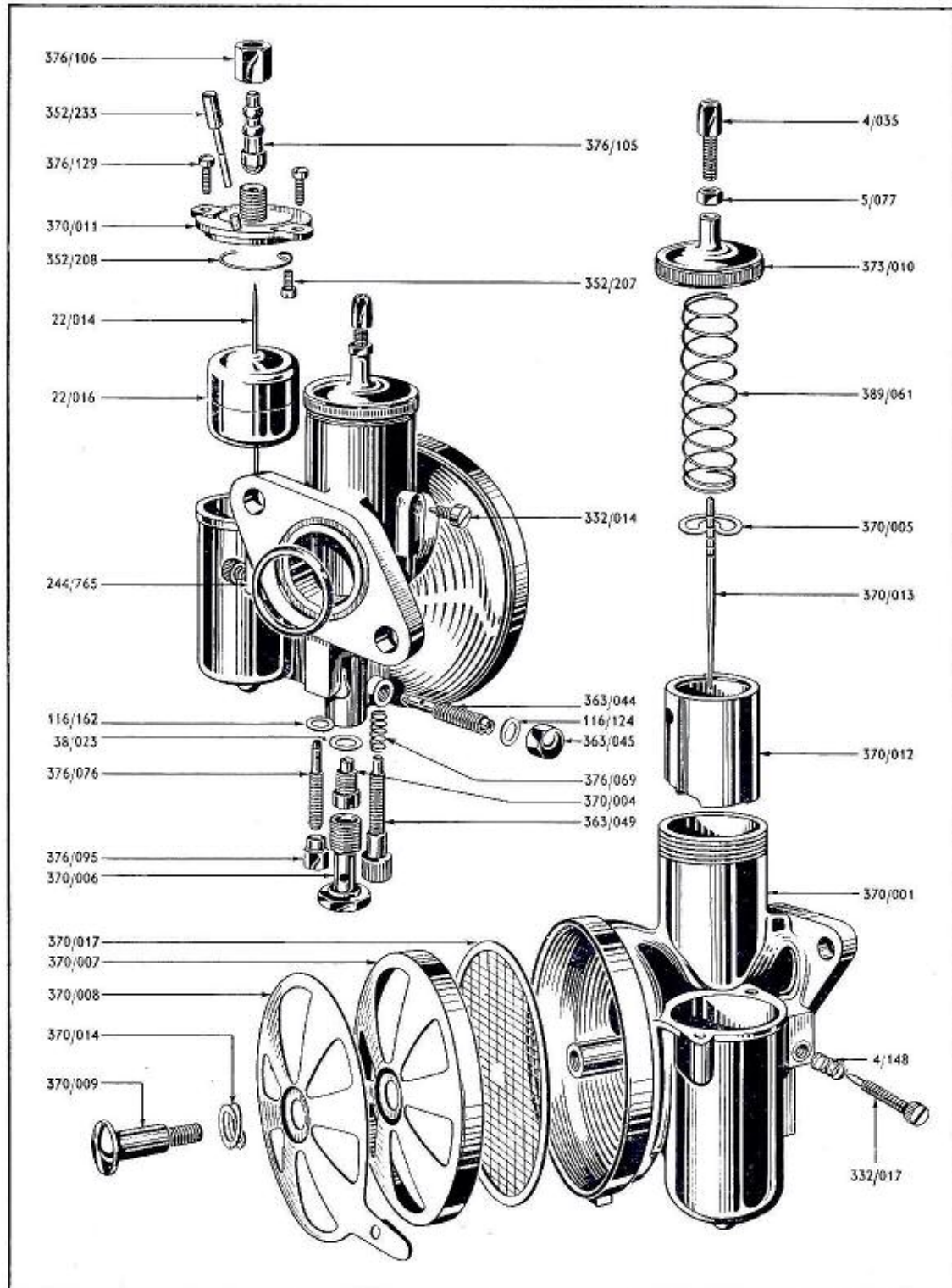


AMAL

May, 1958.

LIST No. 566 (Issue No. 1)

TYPE 370 CARBURETTOR Spare Parts and Settings List.



**AMAL LTD., HOLDFORD ROAD, WITTON,
BIRMINGHAM 6, ENGLAND**

Phone: Birmingham, BIRchfields 4571.
(P.B.X. 6 lines)

Telegrams: "AMALCARB," PHONE,
BIRMINGHAM."



SPARES LIST

Component	370/1			
Mixing Chamber Body	370/001			
Needle Jet	370/004			
Needle Clip	370/005			
Jet Plug	370/006			
Filter Cover	370/007			
Filter Shutter	370/008			
Filter Centre Pin	370/009			
Mixing Chamber Top	370/010			
Float Chamber Cover	370/011			
Throttle Valve	370/012			
Jet Needle	370/013			
Filter Spring Washer	370/014			
Sealing Ring	244/765			
Cable Adjuster	4/035			
Cable Adjuster Locknut	5/077			
Throttle Valve Spring	389/061			
Throttle Valve Location Screw	332/014			
Main Jet Cover Nut Washer	116/124			
Needle Jet Cover Plug Washer	38/023			
Pilot Jet Cover Nut Washer	116/162			
Main Jet	363/044			
Main Jet Cover Nut	363/045			
Screw for Tickler Spring	352/207			
Petrol Nipple	376/105			
Petrol Union Nut	376/106			
Float Chamber Cover Screws	376/129			
Tickler Spring	352/208			
Float	22/016			
Float Needle	22/014			
Tickler complete	352/233			
Pilot Jet	376/076			
Pilot Jet Cover Nut	376/095			
Pilot Air Adjuster	332/017			
Pilot Air Adjuster Spring	4/148			
Throttle Stop Screw	363/049			
Throttle Stop Screw Spring	376/069			
Air Filter Gauze complete	370/017			

SETTINGS LIST

Machine and Eng. Details	Carburettor No.	Bore	Main Jet	Pilot Jet	Needle Position	Needle Jet	Throttle Valve
AMC LTD., 175 c.c.	370/1	$\frac{11}{16}$ "	240	25	3	106	4

GUARANTEE.—The Company take all possible reasonable care in the manufacture and the quality of their products. Purchasers are informed that, any part proved to be defective in manufacture or quality, and returned to the works within six months of its purchase new, will be replaced. The Company must respectfully point out however, that its responsibility and that of its agents, stockists and dealers, is limited to this Guarantee, and that they cannot under any circumstances, be held responsible for any loss or for any contingent or resulting liability arising through any defect. These conditions of sale and use also apply when the Company's products form part of the original equipment of machines purchased new.

2,000/5/58. W.

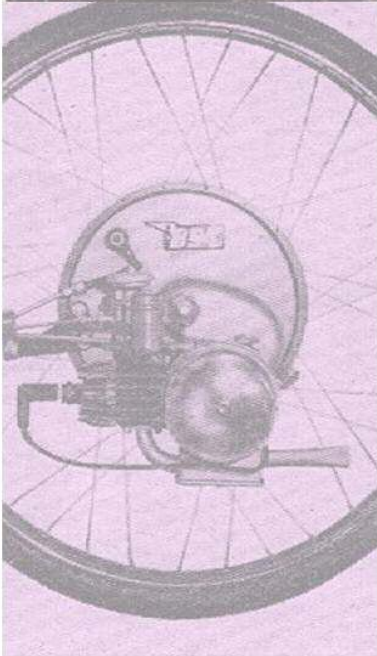
Printed in England

**AMAL LTD., HOLDFORD ROAD, WITTON,
BIRMINGHAM 6, ENGLAND**

'Phone : Birmingham, BIRchfields 4571.
(P.B.X. 6 lines)

Telegrams : "AMALCARB, 'PHONE,
BIRMINGHAM."

IceniCAM Information Service



www.icenicam.org.uk